

1
2
3
4
5
6
7
8
9

10

CFP MSA Management Interface **Specification**

11

12

100/40 Gigabit Transceiver Package Multi-Source Agreement

13

14

15

16

17

Version 2.6 r06a

18

March 24, 2017

19



20

CFP MSA Group Contacts

Technical Editor	Jiashu Chen	jiashu.chen@finisar.com
Finisar Corp.	Chris Cole	chris.cole@finisar.com
Avago Technologies, Ltd.	John Petrilla	john.petrilla@avagotech.com
Oclaro Inc.	Kiyohisa Hiramoto	kiyohisa.hiramoto@oclaro.com
Sumitomo Electric Industries, Ltd.	Eddie Tsumura	tsumura-eiji@sei.co.jp
Fujitsu Optical Components	Yasuno Nagakubo	nagakubo.yasuno@jp.fujitsu.com
Lumentum	David Lewis	David.lewis@lumentum.com

TABLE OF CONTENTS

1		
2	REVISION HISTORY	7
3	REFERENCES.....	9
4	LIST OF FIGURES.....	10
5	LIST OF TABLES	11
6	1 DOCUMENT SUMMARY	13
7	1.1 BACKGROUND	13
8	1.2 CFP MANAGEMENT INTERFACE.....	13
9	1.3 CFP MANAGEMENT INTERFACE SPECIFICATION VERSION COMPATIBILITY	13
10	1.4 CONTENT OF THIS DOCUMENT	14
11	1.5 NOTATIONS	14
12	1.5.1 <i>Hardware Signal Name</i>	14
13	1.5.2 <i>Soft (MDIO) Signal Name</i>	14
14	1.5.3 <i>CFP Register Name and Address</i>	15
15	1.5.4 <i>Numbers</i>	15
16	1.5.5 <i>Special Characters</i>	15
17	1.6 GLOSSARY	15
18	2 CFP MANAGEMENT INTERFACE	17
19	2.1 OVERVIEW	17
20	2.1.1 <i>CFP/CFP2/CFP4 Port Address Compatibility</i>	17
21	2.1.1.1 CFP/CFP2/CFP4 Common Functionality	17
22	2.1.1.2 CFP2 Only Multi-device Type Functionality	18
23	2.1.1.3 Configuration of Port Address Support	18
24	2.1.2 <i>CFP8 MDIO Port Address and MOD_SELn</i>	18
25	2.1.2.1 <i>Dedicated Bus Address Scheme</i>	18
26	2.1.2.2 <i>Shared Bus Address Scheme (Optional)</i>	18
27	2.2 SPECIFICATIONS.....	19
28	2.2.1 <i>Optional Features</i>	19
29	2.2.1.1 <i>Optional Controls</i>	20
30	2.2.1.2 <i>Optional FAWS signals</i>	20
31	2.3 INTERFACE ARCHITECTURE	20
32	2.4 MDIO MANAGEMENT FRAME STRUCTURE	21
33	3 CFP REGISTER OVERVIEW	22
34	3.1 CFP REGISTER SPACE.....	22
35	3.2 NON-VOLATILE REGISTERS (NVRs)	22
36	3.2.1 <i>CFP NVR Tables</i>	22
37	3.2.2 <i>Vendor NVR Tables</i>	22
38	3.2.3 <i>User NVR Tables</i>	22
39	3.2.4 <i>NVR Content Management</i>	22
40	3.2.5 <i>User Private Use Registers</i>	23
41	3.3 VOLATILE REGISTERS (VRs).....	24
42	3.3.1 <i>CFP Module VR 1 Table</i>	24
43	3.3.2 <i>Network Lane Specific Register Table</i>	24
44	3.3.3 <i>Host Lane Specific Register Table</i>	24
45	3.4 MODULE VENDOR PRIVATE REGISTERS.....	24
46	3.5 RESERVED CFP REGISTERS.....	24
47	3.5.1 <i>Un-implemented Registers</i>	25

1	3.6	CFP REGISTER DATA TYPES	25
2	3.6.1	<i>Byte</i>	25
3	3.6.2	<i>Word</i>	25
4	3.6.3	<i>Bit Field</i>	25
5	3.6.4	<i>Two's Complement</i>	25
6	4	CFP CONTROL AND SIGNALING THEORY	27
7	4.1	CFP MODULE STATES AND RELATED SIGNALS	27
8	4.1.1	<i>Signals Affecting Transition of CFP Module States</i>	27
9	4.1.1.1	Combined Module Reset Signal MOD_RSTs	27
10	4.1.1.2	Combined Module Low Power Signal MOD_LOPWRs	27
11	4.1.1.3	Combined Transmitter Disable Signal TX_DISs	28
12	4.1.1.4	Fault Conditions	29
13	4.1.1.5	Minimum Signal Duration	29
14	4.1.2	<i>Signals Affected by Module Insertion or State Transition</i>	29
15	4.1.2.1	MOD_ABS	29
16	4.1.2.2	GLB_ALARM	29
17	4.1.2.3	INIT_DONE	29
18	4.1.2.4	HIPWR_ON	29
19	4.1.2.5	MOD_READY (Ready State)	29
20	4.1.2.6	MOD_FAULT (Fault State)	30
21	4.1.3	<i>CFP Module States</i>	30
22	4.1.3.1	Reset State (Steady)	30
23	4.1.3.2	Initialize State (Transient)	30
24	4.1.3.3	Low-Power State (Steady)	31
25	4.1.3.4	High-Power-up State (Transient)	31
26	4.1.3.5	TX-Off State (Steady)	31
27	4.1.3.6	TX-Turn-on State (Transient)	31
28	4.1.3.7	Ready State (Steady)	32
29	4.1.3.8	TX-Turn-off State (Transient)	32
30	4.1.3.9	High-Power-Down State (Transient)	32
31	4.1.3.10	Fault State (Steady)	33
32	4.2	STATE TRANSITION DIAGRAM	33
33	4.3	EXAMPLES OF MODULE STARTUP AND TURN-OFF SEQUENCE	35
34	4.3.1	<i>Power-up CFP Module to Ready State without Host Transition Control</i>	35
35	4.3.2	<i>Power-up the Module with Full Host Transition Control</i>	36
36	4.3.3	<i>Power-Up the Module with Some Host Transition Control</i>	36
37	4.3.4	<i>Example of Module Turn-off Sequence</i>	36
38	4.4	SPECIAL MODES OF OPERATION	36
39	4.5	BEHAVIOR OF FAWS IN CFP STATES	42
40	4.6	GLOBAL ALARM SYSTEM LOGIC	42
41	4.6.1	<i>Latched and Summary Registers Synchronization</i>	44
42	4.7	SPECIFIC HOST CONTROLS OVER MANAGEMENT INTERFACE	46
43	4.7.1	<i>Soft Module Reset (A010h.15) Function</i>	46
44	4.7.2	<i>Soft Global Alarm Test (A010h.9) Function</i>	46
45	4.8	TIMING FOR MANAGEMENT INTERFACE CONTROL AND STATUS REPORTING	46
46	4.8.1	<i>Miscellaneous Timing</i>	48
47	4.9	BIT ERROR RATE CALCULATION	48
48	4.9.1	<i>Network Lane PRBS Setup</i>	48
49	4.9.2	<i>Network Lane BER Calculation</i>	49
50	4.9.3	<i>Host Lane PRBS Control</i>	50
51	4.9.4	<i>Host Lane BER Calculation</i>	50
52	4.10	CFP REGISTER ACCESS	50
53	4.10.1	<i>Read and Write Accesses</i>	50
54	4.10.1.1	4.10.1.1 Password Control (Optional)	50

1	4.10.2	User NVR Restore and Save Functions	51
2	4.10.2.1	User NVR Restore and Save Command (Bit 5)	52
3	4.10.2.2	Restore and Save Command State Definitions	53
4	4.10.2.3	State Machine Function Definitions	53
5	4.10.2.4	Command Status (bits 3, 2)	53
6	4.10.2.5	Extended Commands (bits 1, 0)	54
7	4.10.2.6	NVR Data Safety in Save Function	54
8	4.11	SETUP OF PROGRAMMABLE CONTROL AND ALARM PINS	56
9	4.11.1	Relationship between HW PIN PRG_CNTLx, MDIO PRG_CNTLx Pin State, and MDIO PRG_CNTLx	56
10	4.11.2	Programmable Control Functions for PRG_CNTLs	56
11	4.11.3	Programmable Alarm Sources for PRG_ALRMs	56
12	4.12	COMMON DATA BLOCK	57
13	4.12.1	CDB Structure	57
14	4.12.1.1	CDB Command Frame	58
15	4.12.1.2	CDB Reply Frame	59
16	4.12.2	CDB Implementation	59
17	4.12.2.1	Write Flow Control on CDB	60
18	4.12.2.2	CDB Message	60
19	4.12.2.3	Password Control	60
20	4.12.2.4	Interaction with Register A004h	61
21	4.12.2.5	Interrupt to Host	61
22	4.12.2.6	CRC Option	61
23	4.12.2.7	Initialization	61
24	4.12.3	CDB Command Execution	61
25	4.12.3.1	Host to Write a CDB Command Frame	61
26	4.12.3.2	Host to Read a CDB Reply Frame	61
27	4.12.3.3	CDB Command Execution Process	62
28	4.12.4	CDB Commands and Applications	62
29	4.12.4.1	Single Command Task	62
30	4.12.4.2	Multiple Command Task	62
31	4.12.5	CDB Command Table	64
32	4.13	MULTI-LINK GEARBOX (MLG) SUPPORT (OPTIONAL)	67
33			
34	5	CFP REGISTER DESCRIPTION	68
35	5.1	CFP NVR 1 TABLE: BASE ID REGISTERS	68
36	5.2	CFP NVR 2 TABLE: ALARM/WARNING THRESHOLD REGISTERS	77
37	5.3	CFP NVR 3 TABLE: NETWORK LANE BOL MEASUREMENT REGISTERS	80
38	5.4	CFP NVR 4 TABLE	81
39	5.5	CFP MODULE VR 1 TABLE	84
40	5.5.1	CFP Command/Setup Registers	85
41	5.5.1.1	NVR Access Control (A004h)	85
42	5.5.1.2	PRG_CNTLs Function Select (A005h, A006, A007h)	85
43	5.5.1.3	PRG_ALRMs Source Select (A008h, A009h, A00Ah)	85
44	5.5.1.4	Module Bi-/Uni- Directional Operating Mode Select (A00Bh)	85
45	5.5.2	Module Control Registers (A010h~A015h)	85
46	5.5.3	Module State Register (A016h)	85
47	5.5.4	Module Alarm Summary Registers (A018h, A019h, A01Ah, A01Bh)	85
48	5.5.5	Module FAWS Registers (A01Dh, A01Eh, A01Fh, A020h)	86
49	5.5.6	Module FAWS Latch Registers (A022h, A023h, A024h, A025h, A026h)	86
50	5.5.7	Module FAWS Enable Registers (A028h, A029h, A02Ah, A02Bh, A02Ch)	86
51	5.5.8	Module Analog A/D Value Registers (A02Fh, A030h, A031h, A032h, A033h)	86
52	5.5.9	Module PRBS Registers (A038h, A039h)	86
53	5.6	MLG MANAGEMENT INTERFACE REGISTER TABLE	102
54	5.7	NETWORK LANE SPECIFIC REGISTER TABLES	104
55	5.8	HOST LANE SPECIFIC REGISTER TABLE	109

1	6	MSA-100GLH AND OTHER COHERENT MODULE MANAGEMENT INTERFACE	112
2	6.1	OVERVIEW	112
3	6.2	MSA-100GLH MODULE MANAGEMENT INTERFACE INFORMATION & FUNCTIONALITY	113
4	6.2.1	<i>Module Base and Extended ID Information</i>	113
5	6.2.2	<i>Module Command, Control & FAWS</i>	113
6	6.2.2.1	Password Control (Optional).....	113
7	6.2.2.2	Laser Frequency Setting Definition.....	114
8	6.2.2.3	MSA-100GLH Module Global Alarm System Logic	115
9	6.2.3	<i>MDIO Write Flow Control</i>	119
10	6.2.4	<i>Module Monitored Parameters</i>	120
11	6.2.5	<i>Performance Monitoring</i>	120
12	6.2.5.1	Performance Monitoring Tick.....	120
13	6.2.5.2	Statistics	121
14	6.2.5.3	Multi-Word Read Procedure	122
15	6.2.6	<i>Software Upgrade Capability</i>	122
16	6.2.7	<i>Auxiliary Channel over MDIO (Optional)</i>	126
17	6.2.8	<i>Module-to-Host Generic Data Upload</i>	128
18	6.2.9	<i>Bulk Data Block Register Structure</i>	129
19	6.2.9.1	Host-to-Module Transaction Structure	129
20	6.2.9.1	Module-to-Host Transaction Structure.....	130
21	6.3	MSA-100GLH MODULE REGISTER OVERVIEW	131
22	6.4	MSA-100GLH MODULE REGISTER DESCRIPTION.....	132
23	6.4.1	<i>MSA-100GLH Module Network Lane Specific Register Tables</i>	150
24	6.4.2	<i>MSA-100GLH Module Host Lane Specific Register Tables</i>	162
25	6.4.3	<i>MSA-100GLH Network Lane VR2 Registers (Optional)</i>	166
26	6.5	CFP2-ACO REGISTERS	167
27	6.5.1	<i>Bulk Data Transfer Segment Registers</i>	168
28	7	ADDENDUM A OIF CFP2 ACO MODULE IMPLEMENTATION AGREEMENT ...	169
29			

1 REVISION HISTORY

Revision	Date	Objective	By
External NDA Draft 0.1	12/23/2008	Initial release, work in progress	Jiashu Chen
External NDA Draft 0.2	01/26/2009	2 nd release for review	Jiashu Chen
External NDA Draft 0.3	02/19/2009	3 rd release for review	Jiashu Chen
External NDA Draft 0.4E	04/03/2009	4 th release for review	Jiashu Chen
External NDA Draft 0.4F	04/07/2009	Error corrected version of 0.4E for review	Jiashu Chen
Publication Draft 1.0	04/13/2009	First full draft for releasing to public.	Jiashu Chen
External NDA Draft 1.1	6/22/2009	Pre Public release Draft 1.2	Jiashu Chen
External NDA Draft 1.2 R1	8/31/2009	Pre Public release Draft 1.2	Jiashu Chen
External NDA Draft 1.2 R2	9/14/2009	Pre Public release Draft 1.2	Jiashu Chen
External NDA Draft 1.2 R2C	9/23/2009	Pre Public release Draft 1.2	Jiashu Chen
External NDA Draft 1.2 R2D	9/29/2009	Pre Public release Draft 1.2	Jiashu Chen
Publication Draft 1.2	9/30/2009	Second full draft for release to public	Jiashu Chen
External NDA Draft 1.3R5	4/16/2010	Pre Public Release for Draft 1.4	Jiashu Chen
External NDA Draft 1.3R6	5/20/2010	Pre Public Release for Draft 1.4	Jiashu Chen
Publication Version 1.4 (r1)	6/4/2010	Pre-Publication release	Jiashu Chen
Publication Version 1.4 (r2)	6/4/2010	Pre Publication release	Jiashu Chen
Publication Version 1.4 (r3)	6/15/2010	Pre Publication release for MSA Members	Jiashu Chen
Publication Version 1.4 (r4)	6/21/2010	Pre Publication release	Jiashu Chen
Publication Version 1.4 (r5)	6/22/2010	Publication release	Jiashu Chen
Draft Version 2.0 (r7)	6/30/2011	<p>Pre Publication release for public review. This release implements OIF MSA-100G DWDM Transmission Module Management Interface Requirements. Specifically, added new Section 6: MSA-100GLH Module Management Interface, which includes:</p> <ul style="list-style-type: none"> - Module Base and Extended ID Information; - Module Command, Control & FAWS; - MDIO Write Flow Control - Additional Monitored Parameters and Performance Monitoring Functions for Long Haul DWDM; - Software Upgrade Capability; - Auxiliary Channel Interface over MDIO; - Generic Data Upload Capability - Bulk Data Transfer Procedure. <p>Added new Section 1.3: CFP MIS Version Compatibility.</p> <p>This release also includes CFP MIS V1.4 updates:</p> <ul style="list-style-type: none"> - Sec. 4.10.2/Table 11: Note 2 is amended "Further commands should NOT be issued without returning to idle"; - Sec. 5.1/Table 18: 0x8007h, code point 09h = P111-3D1 (NRZ 40G 1300nm, 10km) - Sec. 5.1/Table 18: 0x8071h.b2 & b1 changed to indicate whether Amplitude Adjustment Function is supported in A280h~A28Fh. - Sec. 5.5/Table 22: A011h: Initial value changed to 1b=1/64 Tx Ref Clk Rate Select; - Sec. 5.5/Table 22: A012h: Initial value changed to 1b=1/64 Rx Ref Clk Rate Select; - Sec. 5.5/Table 22: A029h: Initial value changed to A7F8h - Sec. 5.6/Table 23: A250h Initial value changed to E0DCh. <p>See complete list of changes in file: Comment_Log_CFP-MSA-MIS_V2p0_02_0312.xlsx</p>	J. Anderson
Publication Version 2.0(r8)	3/30/2012	Pre Publication release	J. Anderson
Publication Version 2.0(r9)	4/10/2012	<p>Publication release</p> <p>See complete list of changes in file: Comment_Log_CFP-MSA-MIS_V2p0_01_0412.xlsx</p>	J. Anderson
Version 2.2r01	9/18/2012	<p>CFP MSA MIS 2.2 is released to support CFP2 and CFP2 applications, as well as enhancing all the contents from Version 2.0.</p> <p>Version 2.2(r1) is released for review, representing work in</p>	Jiashu Chen

		<i>progress. Not final.</i>	
Version 2.2r02	02/15/2013	Pre-publication release	Jiashu Chen
Version 2.2r03	03/18/2013	Pre-publication release. See complete list of changes in file: Comment_Log_CFP_MSA_MIS_V2p2r02_2013_03_18.xlsx	Jiashu Chen
Version 2.2r04	04/29/2013	Pre-Publication release. See complete list of changes in file: Commen_Log_CFP_MSA_MIS_V2p2r03_2013_04_21_update.xlsx	Jiashu Chen
Version 2.2r05c	05/25/2013	Publication release. See complete list of changes in file: Comment_Log_CFP_MSA_MIS_V2p2r04_2013_05_25.xlsx	Jiashu Chen
Version 2.2r06a	07/01/2013	Publication update. See complete list of changes in file: Comment_Log_CFP_MSA_MIS_V2p2r05c_2013_07_01.xlsx	Jiashu Chen
Version 2.4r01a	01/31/2015	Pre-publication release. See complete list of changes in file: Comment_Log_CFP_MSA_V2p4_2015_01_31	Jiashu Chen
Version 2.4r03a	03/27/2015	Pre-publication release. See complete list of changes in file: Comment_Log_CFP_MSA_V2p4_2015_03_31	Jiashu Chen
Version 2.4r04a	04/22/2015	Pre-publication release. See complete list of changes in file: Comment_Log_CFP_MSA_V2p4_2015_04_22	Jiashu Chen
Version 2.4r05a	06/01/2015	Pre-publication release. See Comment_Log_MIS_V2p4_Updated_2015_06_01.xls for change details	Jiashu Chen
Version 2.4r06b	06/08/2015	Publication release. See Comment_Log_MIS_V2p4_Updated_2015_06_05.xls for change details.	Jiashu Chen
Version 2.6r02b	09/06/2016	Draft release for review. See Comment_Log_MIS_V2p6_updated_2016_09_05.xls for change details.	Jiashu Chen
Version 2.6r03a	09/25/2016	Draft release for review. See Comment-Log...	Jiashu Chen
Version 2.6r04a	10/07/2016	Draft release for review. See Comment_Log_MIS_V2p6_updated_2016_10...	Jiashu Chen
Version 2.6r05b	02/01/2017	Draft release for review. See Comment_Log_MIS_V2p6_Updated_2017_01_27	Jiashu Chen
Version 2.6r06a	03/24/2017	Publication release. See Comment_Log_MIS_V2p6_2017_03_24_Editor for change details	Jiashu Chen

1

1 **REFERENCES**

- 2 1. IEEE Standard 802.3-2012
3 2. IEEE Std. 802.3ba™-2010 (Obsolete, replaced by IEEE Standard 802.3-2012)
4 3. [INF-8074i, XENPAK MSA Issue 3.0](#)
5 4. [INF-8077i, XFP Specification Rev. 4.5 \(Not directly referenced\)](#)
6 5. CFP MSA Hardware Specification Draft 1.4
7 6. OIF-MSA-100GLH-EM-01.1, September, 2011
8 7. CFP MSA CFP2 HW Spec Rev02
9 8. CFP MSA CFP4 HW Spec
10 9. CFP MSA CFP8 HW Spec (draft)
11

1 LIST OF FIGURES

2 *Figure 1 CFP8 Module Port Address Reprogramming*..... 19

3 *Figure 2 CFP Management Interface Architecture*..... 20

4 *Figure 3 CFP MDIO Management Frame Structure*..... 21

5 *Figure 4 State Transition Diagram during Startup and Turn-off*..... 34

6 *Figure 5 Module Startup Sequence Example 1: No Host Transition Control*..... 37

7 *Figure 6 Module Startup Sequence Example 2: Full Host Transition Control*..... 38

8 *Figure 7 Module Startup Sequence Example 3: Some Host Transition Control*..... 39

9 *Figure 8 Module Turn-off Sequence Example: No Host Transition Control*..... 40

10 *Figure 9 Module Start-up Sequence Example: Operating in RX Only Mode*..... 41

11 *Figure 10 FAWS Signal Model for a Single Bit*..... 43

12 *Figure 11 Global Alarm Signal Aggregation* 45

13 *Figure 12 CFP Built-in PRBS Components and Test Signal Flow*..... 49

14 *Figure 13 Restore and Save Command Execution State Diagram* 55

15 *Figure 14 Common Data Block Structure*..... 58

16 *Figure 15 CDB Command Execution Flowchart*..... 64

17 *Figure 16 MSA-100GLH Module Management Architecture* 112

18 *Figure 17 MSA-100GLH Module Global Alarm Signal Aggregation* 118

19 *Figure 18 Host-Module MDIO Write Flow Control*..... 119

20 *Figure 19 Host-Module Performance Monitoring Tick Synchronization*..... 121

21 *Figure 20 Software Upgrade State Machine* 124

22 *Figure 21 Software Upgrade Sequence* 125

23 *Figure 22 Host-to-Module Auxiliary Interface Data Transfer* 126

24 *Figure 23 Module-to-Host Auxiliary Interface Data Transfer* 127

25 *Figure 24 Module-to-Host Generic Data Upload* 129

26 *Figure 25 Host-to-Module Bulk Data Block Structure*..... 130

27 *Figure 26 Module-to-Host Bulk Data Block Structure*..... 131

28

1 LIST OF TABLES

2	<i>Table 1 Glossary</i>	15
3	<i>Table 2 CFP Register Allocation</i>	23
4	<i>Table 3 Bit Pattern of a Two's Complement Byte Data</i>	25
5	<i>Table 4 Behavior of Signals Affected by Module State Transition</i>	35
6	<i>Table 5 Behavior of FAWS Type in Different Module States</i>	42
7	<i>Table 6 Global Alarm Related Registers</i>	43
8	<i>Table 7 Global Alarm Query Hierarchy</i>	44
9	<i>Table 8 Timing for Management Interface Control and Status</i>	46
10	<i>Table 9 Miscellaneous Timing</i>	48
11	<i>Table 10 CFP Ad-hoc Floating Point Number Examples</i>	49
12	<i>Table 11: Register Access Password Requirements</i>	51
13	<i>Table 12 User NVRs Access Control Register (A004h)</i>	52
14	<i>Table 13 Restore and Save Command State Definitions</i>	53
15	<i>Table 14 Restore and Save Command State Transitions</i>	53
16	<i>Table 15 HW Pin PRG_CNTL1, PRG_CNTL1 Pin State, and SOFT PRG_CNTL</i>	56
17	<i>Table 16 Programmable Control Functions</i>	56
18	<i>Table 17 Programmable Alarm Sources</i>	56
19	<i>Table 18 CDB Implementation</i>	59
20	<i>Table 19 Write Flow Control to CDB Registers</i>	60
21	<i>Table 20 Acronyms used in CDB Command Table</i>	64
22	<i>Table 21 CDB Command Table</i>	65
23	<i>Table 22 Table Column Description</i>	68
24	<i>Table 23 CFP NVR 1</i>	68
25	<i>Table 24 CFP NVR 2</i>	77
26	<i>Table 25 CFP NVR 3</i>	80
27	<i>Table 26 CFP NVR 4 Miscellaneous Registers</i>	81
28	<i>Table 27 CFP Module VR 1</i>	86
29	<i>Table 28 MLG VR 1</i>	102
30	<i>Table 29 Network Lane VR 1</i>	105
31	<i>Table 30 Network Lane VR 2</i>	107
32	<i>Table 31 Network Lane VR 3 (Optional)</i>	108
33	<i>Table 32 Host Lane VR 1</i>	109
34	<i>Table 33 Register Access Password Requirements</i>	114
35	<i>Table 34 MSA-100GLH Global Alarm Related Registers</i>	115
36	<i>Table 35 Global Alarm Query Hierarchy</i>	117
37	<i>Table 36 MSA-100GLH Module Management Register Overview</i>	131
38	<i>Table 37 MSA-100GLH Module VR 1 Registers</i>	132
39	<i>Table 38 Network Lane VR 3 (Optional)</i>	150
40	<i>Table 39 MSA-100GLH Module Network Lane VR 1 Registers</i>	151
41	<i>Table 40 MSA-100GLH Module Network Lane VR 2 Registers</i>	156
42	<i>Table 41 MSA-100GLH Module Host Lane VR 1 Registers</i>	162
43	<i>Table 42 MSA-100GLH Network Lane VR 2 Registers</i>	166

1	<i>Table 43 CFP2-ACO New Registers</i>	168
2	<i>Table 44 Bulk Data Transfer VR 2 Registers</i>	168
3		

1 **1 DOCUMENT SUMMARY**

2 **1.1 Background**

3 This technical document, CFP MSA Management Interface Specification, has been created
4 by the CFP MSA group as a basis for a technical agreement between CFP module users
5 and vendors, together with its companion document CFP MSA Hardware Specification.

6
7 This document is not a warranted document. Each CFP or MSA-100GLH module supplier
8 will have their own datasheet. If the users wish to find a warranted document, they should
9 consult the datasheet of the chosen module vendor.

10
11 The CFP MSA group reserves the rights at any time to add, amend, or withdraw technical
12 data contained in this document.

13 **1.2 CFP Management Interface**

14 CFP MSA Hardware Specification specifies the use of Management Data Input/Output
15 (MDIO) as the management interface between a Host and a CFP module. While the
16 hardware specification defines the hardware aspects of the MDIO interface such as its
17 electrical characteristics and timing requirements, this document defines a set of MDIO
18 registers suitable for CFP or MSA-100GLH module applications following MDIO interface
19 definition in IEEE 802.3 Clause 45.

20 **1.3 CFP Management Interface Specification Version Compatibility**

21 Version 1.4 (r5) is the first public publication release of the CFP Management Interface
22 Specification supporting the CFP MSA Hardware Specification V1.4.

23
24 Version 2.0 (r9) of the CFP Management Interface Specification is extended to support the
25 OIF MSA-100GLH module electro-mechanical specification [6]. In particular, Section 6 is
26 added in Version 2.0 which specifies added functionality and registers for supporting the
27 OIF MSA-100GLH module management interface. Implementation of B000h page registers
28 specified in Section 6 requires the use of Write Flow Control which is inherently
29 incompatible with register write access implemented in Version 1.4.

30
31 To provide version backwards compatibility, A000h page registers specified in Version 1.4
32 are maintained in Version 2.0 without requiring Write Flow Control. The Version 2.0 A000h
33 page registers are not extended or modified for supporting the OIF MSA-100GLH module
34 management interface. There are some modifications to the Version 2.0 A000h page
35 registers to correct errors in Version 1.4 A000h page registers.

36
37 To provide version forward compatibility, Version 1.4 A000h page registers are duplicated
38 in the B000h page registers of Version 2.0 with enhancements and modifications for
39 supporting the OIF MSA-100GLH module management interface. The B000h page
40 registers requires Write Flow Control. In this manner, host system and module suppliers

1 may implement Version 2.0 B000h page registers for supporting both CFP MSA and OIF
2 MSA-100GLH hardware specifications. A host system implementing Version 1.4 CFP MSA
3 Management Interface Specification would not be compatible with modules implementing
4 Version 2.0 CFP MSA Management Interface Specification.

5
6 Version 2.2 (r04) is the 3rd public publication release with the enhancement to support
7 CFP2 and CFP4 modules, in particular the CFP MSA CFP2 Hardware Specification
8 (Currently in Draft Revision 0.2). Majority of the changes are implemented in Sections from
9 1 to 5. Whenever it is applicable Section 6 is modified for consistency.

10
11 For the convenience of reference, new register names introduced in the subsequent
12 releases are marked with version number such as [2.2] to indicate that this register is
13 introduced in version 2.2 release. Similar approach has been applied to registers that were
14 introduced in version 2.0.

15 **1.4 Content of this document**

16 Section 1 is the summary of this document. Section 2 provides an overview of the CFP
17 management interface, including a sample block diagram, MDIO command frame, and the
18 CFP register set. Section 3 layouts the overview of the CFP register set. Section 4
19 presents detailed discussions of the Host/Module control and signaling theory. Section 5
20 gives a series of tables describing the details of all CFP registers. Section 6 specifies
21 management interface functions and registers for supporting the OIF MSA-100GLH DWDM
22 Transmission Module.

23 **1.5 Notations**

24 **1.5.1 Hardware Signal Name**

25 Signals transmitted over CFP or MSA-100GLH module connector pins are considered as
26 hardware signals. Hardware signals names are directly quoted from the CFP MSA
27 Hardware Specification or MSA-100GLH, formed with all upper case letters and numbers
28 with the exception of a lower case letter as the post script for some cases. Examples are
29 MOD_LOPWR and MOD_RSTn.

30 **1.5.2 Soft (MDIO) Signal Name**

31 Signals transmitted over CFP Management Interface are considered as “Soft” signals or
32 MDIO signals. They are represented by CFP Registers or register bits. Soft signals have
33 their names denoted by one or more words or acronyms connected with or without
34 underscores. If the name consists of multiple words each word shall have its first character
35 capitalized. Examples are Soft GLB_ALRM Test, Soft Module Reset, etc. Some Soft
36 signals used as the defaults for programmable hardware pins are denoted in the manner of
37 Hardware Signal names, such as GLB_ALRM, HIPWR_ON, and MOD_READY.

1 **1.5.3 CFP Register Name and Address**

2 The names of CFP registers are formed with one or more English words, with each word's
3 first character capitalized and space in between. Each register address is a 16-bit hex
4 number. When a particular bit in a register is addressed its address is denoted by x.y
5 where the x is the register address and y is the bit address, a decimal number ranging from
6 0 to 15. When several bits in a register are addressed the address format is x.y~z, where y
7 and z are boundary bits. The sign "~" is used to represent all the bits in between.

8 **1.5.4 Numbers**

9 Hex numbers are post-fixed by a lower case letter "h", for example, A000h. Binary
10 numbers are post-fixed by a lower case letter "b" such as 11b and 1101b. Decimal
11 numbers have neither prefix nor postfix. With this notation, an example of bit 15 at register
12 A001 (hex) has the format of A001h.15.

13 **1.5.5 Special Characters**

14 Whenever possible, the special characters are avoided. For example, the symbol of
15 micrometer is designated as "um" or micro-meter instead of "µm" to prevent format loss in
16 the editing process.

17 **1.6 Glossary**

18 The often used nomenclatures in this document are listed in the following glossary table for
19 reference.

20 *Table 1 Glossary*

Terminology	Description
APD	Avalanche Photodiode
BOL	Beginning Of Life
IEEE 802.3	IEEE Standard 802.3-2012
CFP MSA Specifications	CFP MSA Specifications define a hot-pluggable optical transceiver form factor to enable 40Gbps and 100Gbps applications, including next-generation High Speed Ethernet (40GbE and 100GbE). CFP MSA Specifications consist of two major documents: CFP MSA Hardware Specification and CFP MSA Management Interface Specification (this document).
CFP module	A transceiver compliant to CFP MSA. The term "module" refers to CFP module unless otherwise specified.
CFP register(s)	A CFP register collects certain related management information in a basic form of a 16-bit word, occupying one MDIO register address. The term "register" refers to CFP register unless otherwise specified.
CMU	Clock Multiplier Circuit.
Control	It refers to the Host control functions to the module over Management Interface. It also includes the support of programmable control pin logic.
DDM	Digital Diagnostic Monitoring. It includes CFP module functions of A/D value reporting, FAWS logic, and programmable alarm pin logic.

Terminology	Description
FAWS	Fault, Alarm, Warning, and Status.
GLB_ALARM	It is a CFP module internally generated signal that drives GLB_ALRMn pin.
GLB_ALRMn	Global alarm hardware signal pin defined in CFP MSA Hardware Specification.
HIPWR_ON	High power mode of module operation.
Host	It is equivalent to Station Management Entity (STA) of IEEE 802.3, Reference 1. It sources MDC (MDIO Clock).
Host Lane	It refers to high speed data lane between a Host and a CFP module.
HW_Interlock	It is a logic signal CFP module generates internally based on Hardware Interlock (Reference 5). It is defined as follows: 1 if CFP module power dissipation/consumption is greater than the Host cooling capacity 0 if CFP module power dissipation/consumption is equal or less than the Host cooling capacity or if Hardware Interlock is not used.
MOD_LOPWR	Hardware signal driving CFP module into Low-Power State. Reference 5 CFP MSA Hardware Specification Rev. 1.4 for details.
MOD_LOPWRs	Combined Module Low Power Signal. Refer to Section 4.1.1.2.
MOD_RSTn	Hardware signal driving CFP module into Reset State. See Reference 5 CFP MSA Hardware Specification Rev. 1.4 for details.
MOD_RSTs	Combined Module Reset Signal. Refer to Section 4.1.1.1.
MSA-100GLH	OIF 100G Long-Haul DWDM Transmission Module Electro-mechanical MSA
Network Lane	It refers to data lane between CFP module and network, say, optical network.
NVM	Non-Volatile Memory
NVR	Non-Volatile Register
OMA	Optical Modulation Amplitude
PLL	Phase-Locked Loop
PMD	Physical Medium Dependent
Signal	Information represented by hardware pins or CFP register bits and/or transmitted over the management interface or hardware connector.
SOA	Semi-conductor Optical Amplifier
TX_DIS	Refer to Reference 5 for description.
TX_DISs	Combined Transmitter Disable Signal. Refer to Section 4.1.1.3.
User	The customer of CFP module.
Vendor	The manufacturer of CFP module.
VR	Volatile Register

1

2 CFP MANAGEMENT INTERFACE

2.1 Overview

CFP Management Interface is the main communication interface between a Host and a CFP module. Host uses this interface to control and monitor the startup, shutdown, and normal operation of the CFP modules it manages. This interface operates over a set of hardware pins through the CFP module connector and a set of software based protocols.

The primary protocol of CFP Management Interface is specified using MDIO bus structure following the general specification of IEEE 802.3 Clause 45 and on-going IEEE 802.3 40GbE and 100GbE standardization project.

From a hardware point of view, CFP Management Interface consists of following 8 hardware signals: 2 hardware signals of MDC and MDIO, 5 hardware signals of Port Address, and 1 hardware signal GLB_ALRMn.

MDC is the MDIO Clock line driven by the Host and MDIO is the bi-directional data line driven by both the Host and module depending upon the data directions. The CFP Management Interface uses these hardware signals in the electrical connector to instantiate the MDIO interface, listed in Table 2.4 MDIO Interface Pins, in CFP MSA Hardware Specification.

From a software/protocol point of view, CFP Management Interface consists of the MDIO management frame, a set of CFP registers, and a set of rules for host control, module initialization, and signal exchange between these two. To avoid the conflict with IEEE 802.3, CFP register set does not use the addresses from 0000h to 7FFFh at the present time. The CFP registers use the addresses from 8000h to FFFFh, totaling 32768 addresses.

2.1.1 CFP/CFP2/CFP4 Port Address Compatibility

Compared with 5 hardware port address pins for CFP modules, both CFP2 and CFP4 support only 3 hardware MDIO Port Address pins (Reference 7). This results in a reduced direct address space from 32 to 8. For multi device type applications where a mix of port address modes (32 and 8 addresses) is expected, the user shall need to correctly select the right module type to avoid a potential address conflict. MSA specifies the following mechanism to support the compatibility.

2.1.1.1 CFP/CFP2/CFP4 Common Functionality

The two Port Address most significant bits (MSBs) are ignored by the CFP2 and CFP4 module. Hence the effective port address range of CFP2 and CFP4 modules is from 0 (00000b) to 31 (11111b), with the module responding to four port addresses in the address range. Host hardware decoding of two MSBs is required to select the correct CFP2 or CFP4 module.

2.1.1.2 CFP2 Only Multi-device Type Functionality

The CFP2 module only responds if the two Port Address MSBs are zero. Hence the effective port address range of this CFP2 module is from 0 (00000b) to 7 (00111b). This enables assigning of the non-zero values of the two MSBs to other device types on a common MDIO bus with CFP2 modules.

2.1.1.3 Configuration of Port Address Support

An NVR register bit (807Eh.5) is used to indicate what MDIO port address scheme is used for a module. See register description for details. For all new modules, CFP/CFP2/CFP4 Common MDIO Port Address Scheme is recommended by MSA.

2.1.2 CFP8 MDIO Port Address and MOD_SELn

CFP MSA specifies no hardware MDIO Port Address pins for CFP8 module; instead it specifies a module select pin MOD_SELn pin with active low logic and specifies a default MDIO port address of 00000b for CFP module coming out of reset. With this arrangement, CFP MSA specifies two MDIO port address schemes, the Dedicated Bus Address (DBA) scheme and the Shared Bus Address (SBA) scheme. DBA is the baseline scheme and SBA is the optional scheme.

2.1.2.1 Dedicated Bus Address Scheme

In DBA scheme host shall provide one dedicated MDIO bus (MDC and MDIO wires) for each CFP8 module. Host shall program PHYADR to be 00000b for each MDIO Management Frame. Each CFP8 module shall always respond to Host MDIO Management Frame with its default port address regardless the status of MOD_SELn.

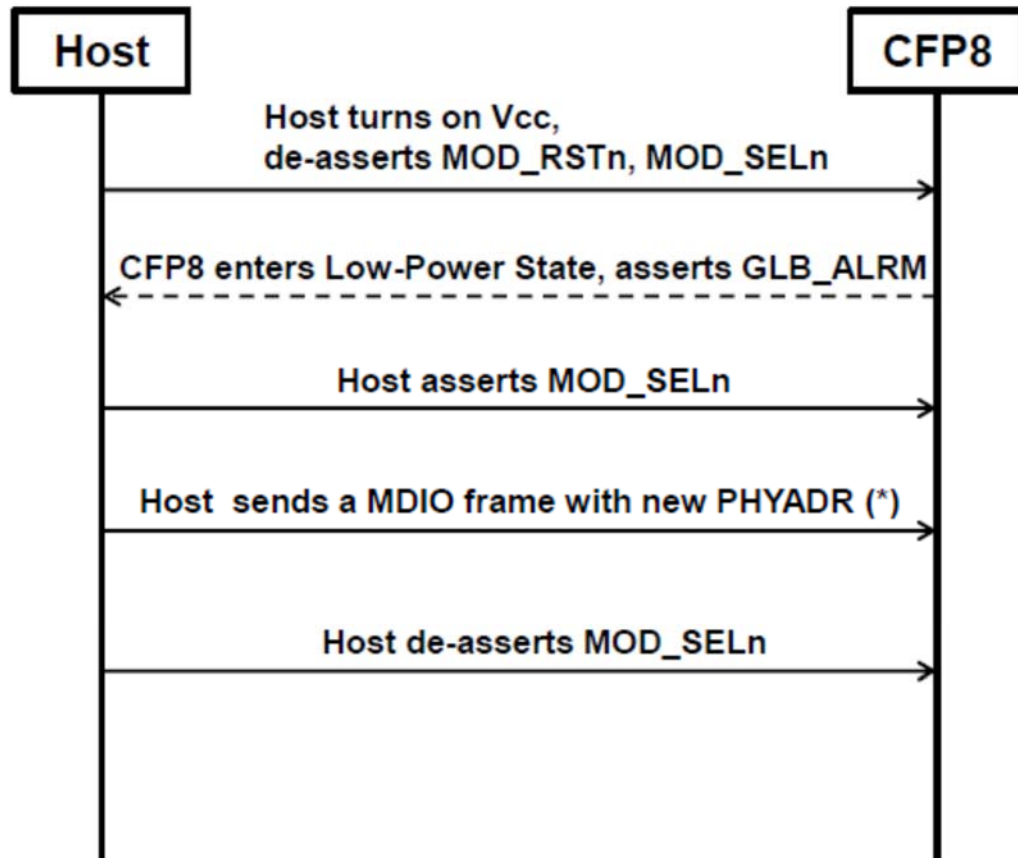
2.1.2.2 Shared Bus Address Scheme (Optional)

In SBA scheme host uses a shared MDIO bus to manage multiple CFP8 modules. Host shall use MOD_SELn pin to enable a distinctive MDIO port address configuration after each module coming out of reset. *Figure 1 CFP8 Module Port Address Reprogramming* depicts the process. This procedure shall be repeated until all the CFP8 modules on the same bus to be configured with distinctive port addresses.

Once host asserts MOD_SELn pin, the module shall respond to any operation code (i.e., OP = 00/01/10/11) on the MDIO bus; any PHYADR is valid. CFP8 changes its own PHYADR configuration to the received PHYADR. CFP8 module shall retain the newly programmed port address until next reset.

Warning: In multiple modules on MDIO bus implementations, when the module comes out from power up or reset, including after being plugged into an operating board, the host has to insure that there is no bus contention conflict. For example, the host cannot use default address 5b'00000 because it can result in multiple modules responding.

1 Figure 1 CFP8 Module Port Address Reprogramming



(*) With any operation code; 00/01/10/11.

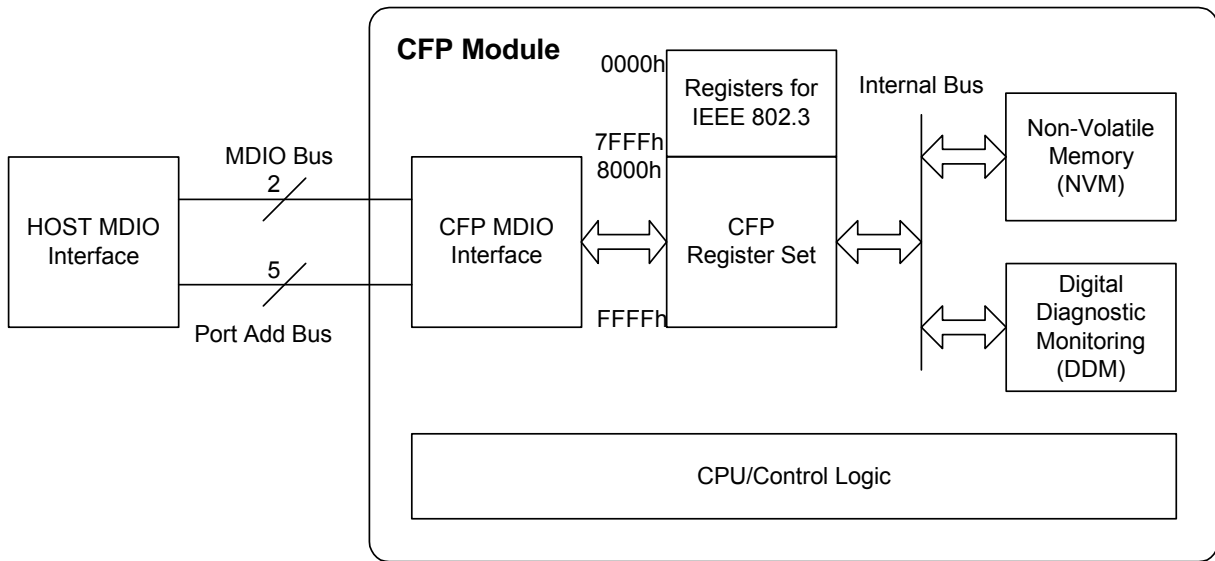
2
3 **2.2 Specifications**

4 With compliance to IEEE 802.3 Clause 45, CFP MSA defines the following additional
5 specifications for CFP MDIO interface.

- 6 a) Support of MDC rate up to 4 MHz while maintaining the downward compatibility to
7 100 kHz.
- 8 b) Both read and write activities occurring on the rising edge of the MDC clock only.
- 9 c) Supports MDIO Device Address 1 only, among 32 available addresses.

10 **2.2.1 Optional Features**

11 This specification provides a number of optional features. Compliance with this
12 specification does not require the implementation of these optional features by the module
13 supplier. All such optional features shall be clearly identified as "Optional" in the
14 corresponding register and bit definitions as well as the related text.



1

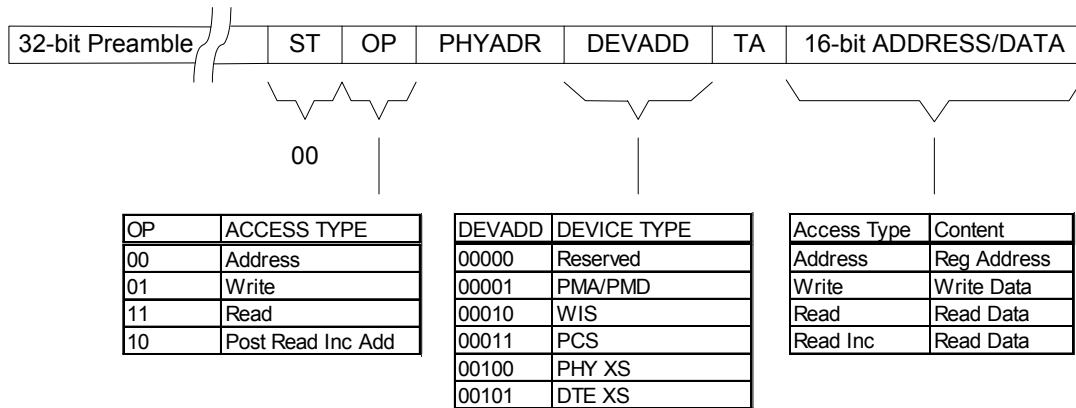
2 **2.4 MDIO Management Frame Structure**

3 CFP MDIO interface uses the communication data frame structure defined in IEEE 802.3
4 Clause 45. Each frame can be either an address frame or a data frame. The total bit
5 length of each frame is 64, consisting of 32 bits preamble, and the frame command body.
6 The command body consists of 6 parts illustrated in Figure 3 CFP MDIO Management
7 Frame Structure.

8

9

Figure 3 CFP MDIO Management Frame Structure



ST = start bits (2 bits),
OP = operation code (2 bits),
PHYADR = physical port address (5 bits),
DEVADD = MDIO device address (or called device type, 5 bits),
TA = turn around bits (2 bits),
16-bit ADDRESS/DATA is the payload.

10

1 **3 CFP REGISTER OVERVIEW**

2 **3.1 CFP Register Space**

3 The total CFP register space (from 8000h to FFFFh) is logically divided into 8 pages with
4 each page starting at even hex thousand, that is, 8000h, 9000h, A000h, ..., F000h. Each
5 page has 4096 addresses and is further divided into 32 tables. Each table has 128 CFP
6 register addresses. Note that there is no physical boundary in between pages and tables.
7 The sole purpose of this logical segmentation is for the convenience of CFP register space
8 allocation and access control. The overview of the CFP register allocation is listed in Table
9 2 CFP Register Allocation.

10 **3.2 Non-volatile Registers (NVRs)**

11 CFP MSA specifies the starting address of all non-volatile registers at 8000h and it
12 specifies 8 NVR tables for storing module ID information, setup data, and additional data
13 stored by vendor and user. All NVR tables are implemented with lower 8-bit of space filled
14 with data and the upper 8-bit of space reserved. A fully populated table shall require a
15 maximum of 128 bytes of NVM to back up.

16 **3.2.1 CFP NVR Tables**

17 CFP MSA specifies CFP NVR 1 table for storing Basic ID data, CFP NVR 2 table for storing
18 Extended ID data, CFP NVR 3 table for storing Network Lane Specific data. CFP NVR 4
19 table is allocated for storing Host Lane Specific data. Currently only the checksum of CFP
20 NVR 3 is stored in CFP NVR 4 table.

21 **3.2.2 Vendor NVR Tables**

22 Vendor NVR 1 and Vendor NVR 2 tables are allocated for storing additional data that can
23 be used by the vendor.

24 **3.2.3 User NVR Tables**

25 The User NVR 1 and User NVR 2 tables are allocated for module user to store data. User
26 has the full read/write access to these tables.

27 **3.2.4 NVR Content Management**

28 All populated CFP NVR tables shall be backed up by physical non-volatile memory (NVM).
29 On module Initialize, CFP NVR tables shall be uploaded with stored NVM values. CFP
30 module vendor shall manage the content of CFP NVR tables.

31
32 The content and management of Vendor NVR tables and User NVR tables are subject to
33 additional agreement between user and vendor.

1 **3.2.5 User Private Use Registers**

2 Starting at 8F00h, two additional tables are allocated for “User private use”. CFP MSA
3 does not specify nor restricts the use of these tables. The use of these User Private Use
4 Registers is subject to additional agreement between CFP module users and vendors.

5 Table 2 CFP Register Allocation

CFP Register Allocation					
Starting Address in Hex	Ending Address in Hex	Access Type	Allocated Size	Data Bit Width	Table Name and Description
0000	7FFF	N/A	32768	N/A	Reserved for IEEE 802.3 use.
8000	807F	RO	128	8	CFP NVR 1. Basic ID registers.
8080	80FF	RO	128	8	CFP NVR 2. Extended ID registers.
8100	817F	RO	128	8	CFP NVR 3. Network lane specific registers.
8180	81FF	RO	128	8	CFP NVR 4.
8200	83FF	RO	4x128	N/A	MSA Reserved.
8400	847F	RO	128	8	Vendor NVR 1. Vendor data registers.
8480	84FF	RO	128	8	Vendor NVR 2. Vendor data registers.
8500	86FF	RO	4x128	8	ACO NVR Table 1 and 2 [V2.6]
8700	87FF	RO	2x128	NA	MSA Reserved
8800	887F	R/W	128	8	User NVR 1. User data registers.
8880	88FF	R/W	128	8	User NVR 2. User data registers.
8900	8EFF	RO	4x128	N/A	MSA Reserved.
8F00	8FFF	N/A	2x128	N/A	Reserved for User private use. Access Type and Bit Width are per agreement between vendor and user. OIF CFP2 ACO module specifies RW access type and 16-bit Data Bit Width. [V2.6]
9000	9FFF	RO	4096	N/A	Reserved for vendor private use.
A000	A07F	R/W	128	16	CFP Module VR 1. CFP Module level control and DDM registers.
A080	A0FF	R/W	128	16	MLG VR 1. MLG Management Interface registers.
A100	A1FF	RO	2x128	N/A	Reserved by CFP MSA.
A200	A27F	R/W	128	16	Network Lane VR 1. Network lane specific registers.
A280	A2FF	R/W	128	16	Network Lane VR 2. Network lane specific registers.
A300	A37F	R/W	128	16	Network Lane VR 3. Network Lane n Vendor Specific FAWS Registers.
A380	A3FF	RO	128	N/A	Reserved by CFP MSA.
A400	A47F	R/W	128	16	Host Lane VR 1. Host lane specific registers.
A480	ABFF	RO	15x128	N/A	Reserved by CFP MSA.
AC00	AFFF	RW	8x128	16	Common Data Block Registers
B000	BFFF	RW	4096	16	Allocated for OIF MSA-100GLH and ACO modules [2.6]. See Section 6.

C000	FFFF	RO	4x4096	N/A	Reserved by CFP MSA
------	------	----	--------	-----	---------------------

1 **3.3 Volatile Registers (VRs)**

2 Page A000h is allocated for volatile registers. CFP MSA specifies 4 VR tables for module
3 configuration, control, and various DDM related functions. All VR registers are 16-bit data
4 with unused bits reserved. A fully populated table requires a maximum of 256 bytes of
5 physical memory. There is no NVM backup for VR registers but CFP MSA specifies their
6 initial values.

7 **3.3.1 CFP Module VR 1 Table**

8 This table, starting at address A000h, contains command/setup, module control, lane
9 control, Module state, FAWS (fault/alarm/warning/status), FAWS Summary, and other DDM
10 related registers. All registers are assigned with initial values to insure the correct startup
11 condition.

12 **3.3.2 Network Lane Specific Register Table**

13 Two tables starting from A200h and ending at A2FFh are allocated to support network lane
14 specific registers including lane FAWS, controls, and A/D values (For copper network lanes
15 some of the DDM register support may not apply.). For each supported register, CFP MSA
16 allocates a 16-lane array for it. Should in the future more than 16 lanes are needed
17 additional tables can be allocated in the subsequent reserved addresses.

18 **3.3.3 Host Lane Specific Register Table**

19 One table starting at A400h is allocated to support host lane specific registers. For each
20 supported parameter, CFP MSA allocates a 16-lane array for it. Should in the future more
21 than 16 lanes are considered additional tables can be allocated in the subsequent reserved
22 addresses.

23 **3.4 Module Vendor Private Registers**

24 Page 9000h is reserved exclusively for module vendors of CFP module for their
25 development and implementation needs.

26 **3.5 Reserved CFP Registers**

27 All reserved CFP registers and all the reserved bits in a CFP register shall be “read-only”
28 and they shall be read as all-zeros. Writing to reserved CFP registers or bits shall have no
29 effect. CFP registers related to unused lanes for a specific module type shall be treated as
30 reserved CFP registers. An example would be CFP registers relating to network lanes 15:4
31 for a 100GBASE-LR4 module (in which only network lanes 3:0 are active).

1 **3.5.1 Un-implemented Registers**

2 A particular CFP module may not implement every function by this Specification. The
3 registers or bits in the registers representing the un-implemented functions shall be read as
4 0. Writing to these registers or register bits has no effect.

5 **3.6 CFP Register Data Types**

6 A CFP register collects management information in a basic form of a 16-bit word,
7 occupying one MDIO register address. CFP Registers support the following data types.

8 **3.6.1 Byte**

9 A byte can represent a signed number, unsigned number, or an array of 8-bit value. If a
10 CFP register only contains one byte of data, it allocates the least significant 8 bits for it, with
11 all most significant 8 bits reserved. All the non-volatile registers contain a byte with bit 7
12 being the most significant bit.

13 **3.6.2 Word**

14 A word is a 16-bit-wide data type. It can represent a signed number, unsigned number, or
15 an array of 16-bit values. It can also be used as 2 bytes, the most significant byte and the
16 least significant byte. The most significant byte occupies the bits from 15 to 8. The least
17 significant byte occupies the bits from 7 to 0. All the volatile registers contain a word with
18 bit 15 being the most significant bit.

19 **3.6.3 Bit Field**

20 A CFP register can contain one or more bit fields. A bit field consists of one or more bits,
21 which can represent a number or an array of bit values. If a bit field represents a number
22 the bit with the highest bit number is the most significant bit.

23 **3.6.4 Two's Complement**

24 Wherever signed byte is used, two's complement is assumed. *Table 3* illustrates the
25 example bit patterns and values of a signed byte in two's complement form. For a 16-bit
26 signed word, the same format applies with the most significant bit (bit 15) to be the sign bit.
27 The value of +32767 = 7FFFh and the value of -32768 = 8000h.

28 *Table 3 Bit Pattern of a Two's Complement Byte Data*

BIT 7 (SIGN BIT)	BIT 6	BIT 5	BIT 4	BIT 3	BIT 2	BIT 1	BIT 0		VALUE
0	1	1	1	1	1	1	1	=	+127
0	0	0	0	0	0	0	1	=	+1
0	0	0	0	0	0	0	0	=	0
1	1	1	1	1	1	1	1	=	-1

1	0	0	0	0	0	0	1	=	-127
1	0	0	0	0	0	0	0	=	-128

1

1 **4 CFP CONTROL AND SIGNALING THEORY**

2 **4.1 CFP Module States and Related Signals**

3 To facilitate a well-defined CFP module startup and module turn-off sequences and other
4 applications, CFP MSA specifies a list of CFP module states that CFP module shall
5 support.

6
7 In association with these states, a set of signals that are related to state transitions are also
8 defined. In the following text, a signal name with a lower-case "s" suffix stands for a
9 combination of multiple signals.

10 **4.1.1 Signals Affecting Transition of CFP Module States**

11 Three inputs and one internally generated signal are defined and each of them is a logical
12 combination of hardware signal status, CFP register bit status, and module internally
13 generated logic signals in some cases. These signals affect the state transition.

14 **4.1.1.1 Combined Module Reset Signal MOD_RSTs**

15 For reset operation, CFP module internally defines MOD_RSTs as follows:

16 MOD_RSTs = (**NOT** MOD_RSTn) **OR** (Soft Module Reset) **OR** Vcc_Reset,
17 where,

18 MOD_RSTn is the hardware pin input,

19 Soft Module Reset is a CFP register bit, de-asserted in Reset and,

20 Vcc_Reset is the CFP internally generated logic signal indicating the validity of Vcc

21

22 Vcc_Reset = 1 if Vcc at connector is lower than a specified threshold,

23 = 0 if Vcc is within range.

24

25 Note that Vcc_Reset does not correspond to the operating voltage range specified in
26 the CFP MSA Hardware specification. Vcc_Reset is the threshold voltage below
27 which the module is held in reset, and above which normal operation can be
28 initiated.

29

30 The threshold for Vcc_Reset is vendor specific and shall be lower than Vcc Low
31 Alarm Threshold (808Eh).

32 **4.1.1.2 Combined Module Low Power Signal MOD_LOPWRs**

33

34 MOD_LOPWRs = MOD_LOPWR **OR** (Soft Module Low Power) **OR** HW_Interlock,

35 where,

36 MOD_LOPWR is the hardware pin input,

37 Soft Module Low Power is the CFP register bit, de-asserted in Reset, HW_Interlock

38 is defined below.

1 **4.1.1.2.1 HW Interlock**

2 HW_Interlock (hardware interlock) is an internally generated logic value, based upon the
3 comparison between the module's power class (Refer to Reference 5, Section 2.2.1.4 for
4 power class definition) versus the host cooling capacity as encoded on the HW_IL_MSB
5 and HW_IL_LSB input pins. Its purpose is to prevent an otherwise-dangerous high power
6 condition which might harm either the host or the module itself, due to power requirements
7 which the host is not able to support.

8 The status of HW_Interlock is defined as follows:

9 HW_Interlock = 0 if HW_IL_MSB and HW_IL_LSB = 11b or,
10 HW_Interlock = 0 if module power <= Host cooling capacity, else
11 HW_Interlock = 1 if module power > Host cooling capacity.

12 In operation, the module samples the status of the HW_IL_MSB and HW_IL_LSB input
13 pins once during the Initialize State. To ensure a reliable sampling, Host shall hold
14 HW_IL_MSB and HW_IL_LSB signal valid until the module exits Initialize State. The
15 module stores these values in a variable HW_IL_inputs. (The Host is free to reprogram the
16 usage of the PRG_CNTLn input pins and change their values at any time after the module
17 exits the Initialize State.)

18 When both the MOD_LOPWR input pin and the Soft Module Low Power register bit are de-
19 asserted, the module then compares the variable HW_IL_inputs to the power class for
20 which it is designed (Defined in the Power Class field of register 8001h). The result of this
21 comparison updates the HW_Interlock status. The module remains in the Low-Power
22 State if HW_Interlock evaluates to '1' (this does not result in a transition to the Fault
23 State). Conversely, if HW_Interlock evaluates to '0', the module is allowed to transition to
24 the High-Power-up State.

25 Host capable to manage CFP2 module with power class > 3 are recommended upon
26 MOD_ABS pin de-assertion to keep MOD_LOPWR input pin asserted.
27 When MOD_LOPWR state is reached, Host shall interrogate the module via MDIO bus and
28 check whether CFP2 exact power class derived from 807Eh register is matching the Host
29 cooling capacity. Only after a positive response from previous check the MOD_LOPWR
30 input pin can be de-asserted from the Host.

31
32 **Note that CFP4 and CFP8 Hardware Specifications have eliminated these pins. Power**
33 **class information shall be read through MDIO registers.**

34 **4.1.1.3 Combined Transmitter Disable Signal TX DISs**

35
36 TX_DISs = TX_DIS OR (Soft TX Disable),
37 where,

38 TX_DIS is the hardware pin,
39 Soft TX Disable is a CFP register bit, de-asserted in Reset.

1 **4.1.1.4 Fault Conditions**

2 Fault conditions are represented by all the non-reserved bits except bit 0 in the Module
3 Fault Status register. Each bit is driven by a particular fault condition through hardware or
4 software means in CFP module. Any assertion of these bits causes the CFP module to
5 enter the Fault state.

6 **4.1.1.5 Minimum Signal Duration**

7 The host shall provide the minimum assert/de-assert pulse width of 100 micro-seconds to
8 guarantee the module to enter a transient state. The module's behavior for pulse width less
9 than 100 micro-seconds is un-defined. (This clause is subject to removal per Group
10 discussion. The timing of these signals shall be defined by CFP MSA HW Spec. – Editor)

11 **4.1.2 Signals Affected by Module Insertion or State Transition**

12 CFP MSA specifies a number of output signals, both in the form of hardware pins and CFP
13 register bits, reporting to the Host the transitions between states. In most of cases, the
14 hardware pins are mirrored with CFP register bits.

15 **4.1.2.1 MOD_ABS**

16 This is a hardware signal which reports the presence of an inserted CFP module to the
17 Host. There is no MDIO register counterpart of it. For more information please refer to
18 Reference 5.

19 **4.1.2.2 GLB_ALRM**

20 GLB_ALRM is a CFP internal signal that is the invert signal of GLB_ALRMn. The latter is
21 the hardware signal, as an interrupt request to the Host, reporting FAWS occurrence during
22 module operation. When the CFP module detects that any bit is asserted in CFP FAWS
23 latch registers (A022h through A026h), it shall assert GLB_ALRM, provided that those latch
24 bits are enabled by CFP FAWS enable registers (A028h through A02Ch). GLB_ALRM is
25 cleared upon the Host reading corresponding latched CFP registers.

26 **4.1.2.3 INIT_DONE**

27 INIT_DONE is a CFP internally generated and used signal indicating the completion of
28 module initialization. This signal is dedicated to module startup process and it is asserted
29 upon exiting the Initialize state. This signal remains asserted until MOD_RSTs is asserted.

30 **4.1.2.4 HIPWR_ON**

31 HIPWR_ON is a CFP internally generated status signal represented by a CFP register bit.
32 It is the logical OR of TX-Off state, Turn-TX-on state, Ready state, and TX-Turn-off. It is
33 asserted when the module exits High-Power-up state and remains asserted whenever the
34 module is not in the Low Power condition.

35 **4.1.2.5 MOD_READY (Ready State)**

36 MOD_READY is an alias of Ready State bit in Module State register. The Ready State bit
37 is asserted when the module enters Ready state and remains asserted as long as the CFP
38 module is in the Ready state.

1 **4.1.2.6 MOD_FAULT (Fault State)**

2 MOD_FAULT is an alias of Fault State bit in Module State register. The Fault State is
3 asserted when the module enters Fault state and remains asserted as long as the CFP
4 module is in the Fault state.

5 **4.1.3 CFP Module States**

6 CFP MSA specifies 10 CFP module states in the context of defining the startup, normal
7 operation, and module turn-off sequences. Five of the 10 states are steady states and the
8 rest are transient states. The behavior of input and output to a state, and the state itself
9 shall be defined for the clear hand-shaking between the Host and the CFP module.

10 Host can read CFP Registers Module State and Module State Latch to determine the
11 module state at the time of read, except in Reset State and Initialize State.

13 **4.1.3.1 Reset State (Steady)**

14 MOD_RSTs assertion causes CFP module to reset, including reset of any digital circuitry
15 that may consist of module control function and any high speed circuitry if they are re-
16 settable. In particular the MDIO interface will be held in a high impedance state.
17 Therefore, the Host will read "FFFFh" from any CFP register addresses while a host write
18 will have no effect.

19 In this state, all circuits are in low power mode and stay in reset whenever MOD_RSTs is
20 asserted. The MOD_RSTs supersedes the status of other input such as MOD_LOPWRs
21 and TX_DISs.

22 Module reset shall happen when MOD_RSTs is asserted, when 3.3 V power supply is
23 turned on, or when CFP module is hot-plugged in to the connector. When CFP module is
24 already in connector, MOD_RSTs assertion can be used to resolve any hardware hang-up,
25 particularly a communication hang-up or other types of control hang-ups.
26 27

28 Reset state is a steady state and shall exit to Initialize State upon the de-assertion of
29 MOD_RSTs.
30

31 **4.1.3.2 Initialize State (Transient)**

32 Upon entering this state, CFP module shall keep MDIO interface held at high impedance
33 state during the initialization. All the host-reads return "FFFFh" and all the host-writes have
34 no effect.
35

36 Upon the completion of initialization, all the NVRs are loaded with NVM values and VRs are
37 initialized. Analog A/D Value Registers shall be read with live values. All the allowed
38 FAWS registers shall contain valid data. CFP module shall then release the hold of MDIO
39 interface and assert GLB_ALRM bit to alert the Host of this MDIO ready condition.
40

1 On the exit of initialization, the CFP module shall enter Low-Power State. If initialization
2 fails, it shall enter Fault State. Initialize State is a transient state. The CFP MSA specifies
3 the maximum initialization time to be 2.5 seconds.

4 **4.1.3.3 Low-Power State (Steady)**

5 CFP module enters and stays in the Low-Power state when MOD_LOPWRs is asserted. In
6 Low-Power state, the MDIO interface and control circuits shall remain powered and fully
7 functional. All other high-power consuming circuits shall be in low-power condition.

8
9 In this state, the PHYs are powered down and loop-back is not possible. The nAUI outputs
10 shall go to a steady state (no transitions).

11
12 Low-Power state is a steady state and it shall exit to High-Power-up state upon the de-
13 assertion of MOD_LOPWRs.

14 **4.1.3.4 High-Power-up State (Transient)**

15 The Host drives CFP module into High-Power-up state from Low-Power state by the
16 transition of de-asserting MOD_LOPWRs. In this state CFP module powers up all the
17 functional circuitry and completes all required initialization such as inrush current control,
18 TEC temperature stabilization, etc.

19
20 Upon exiting the High-Power-up state, the module shall assert HIPWR_ON signal and then
21 shall enter TX-Off state. If the powering up process fails CFP module shall enter the Fault
22 state and de-assert HIPWR_ON.

23
24 High-Power-up is a transient state. The time it takes to complete the process varies from
25 module to module depending upon applications. The vendor shall specify the application-
26 specific value in Maximum High-Power-up Time CFP register.

27
28 In this state, the nAUI outputs are not defined.

29 **4.1.3.5 TX-Off State (Steady)**

30 CFP module enters and stays in the TX-Off state when TX_DISs is asserted. In TX-Off
31 state, the transmitters in all the network lanes are turned off but all other parts of the
32 module remain high powered and functional.

33
34 TX-Off state is a steady state and it shall exit to TX-Turn-on state upon the de-assertion of
35 TX_DISs, or it shall exit to High-Power-Down state upon the assertion of MOD_LOPWRs or
36 MOD_RSTs.

37 **4.1.3.6 TX-Turn-on State (Transient)**

38 The Host drives CFP module into TX-Turn-on state by the transition of de-asserting
39 TX_DISs signal from TX-Off state.

40

1 Asserting TX_DISs causes a global action that turns off all the transmitters across all
2 network lanes.
3
4 In this state, CFP module either enables or disables lanes according to the configuration in
5 Individual Network Lane TX_DIS Control CFP register. The lanes that are disabled shall
6 remain disabled after the module enters the TX-Turn-on state.
7
8 Changing TX_DISs does not affect Individual Network Lane TX_DIS Control CFP register.
9 Upon successfully turning on the desired transmitters CFP module shall assert
10 MOD_READY to inform the Host. The CFP module shall enter Ready state. If the turning
11 on TX process fails due to any fault conditions CFP module shall enter the Fault state and
12 keep MOD_READY de-asserted.
13
14 TX-Turn-on is a transient state. The time it takes to complete the TX-Turn-on process
15 varies depending upon the applications. The vendor shall specify the Maximum TX-Turn-
16 on Time CFP register.

17 **4.1.3.7 Ready State (Steady)**

18 CFP module enters from TX-Turn-on state and stays in Ready state upon successful
19 transmitter turning on. In this state CFP module is ready for passing data. All the MDIO,
20 DDM, and other functions are fully functional.
21

22 Ready state is a steady state and it shall exit to other states upon the assertion of
23 MOD_RSTs, MOD_LOPWRs, TX_DISs, or Fault conditions.

24 **4.1.3.8 TX-Turn-off State (Transient)**

25 The Host drives CFP module into TX-Turn-off state by asserting TX_DISs, MOD_LOPWRs,
26 or MOD_RSTs. In this state CFP module turns off all the network lane transmitters
27 regardless the setting in Individual Network Lane TX_DIS Control register.
28

29 TX-Turn-off is a transient state. The time it takes to complete the turn-off shall meet the
30 spec listed in Table 8 Timing for Management Interface Control and Status.

31 **4.1.3.9 High-Power-Down State (Transient)**

32 CFP module enters High-Power-down state by the transition of asserting MOD_LOPWRs
33 or MOD_RSTs. In this state, CFP module powers down all the power-consuming circuitry
34 to maintain the overall power consumption less than 2 Watts. CFP module shall maintain
35 MDIO interface fully functional.
36

37 Upon powering down the module CFP module shall de-assert HIPWR_ON to inform the
38 Host. The CFP module shall either enter Low-Power state or Reset state depending upon
39 the status of MOD_RSTs.
40

41 High-Power-down is a transient state. The time it takes to complete this transient state
42 shall meet the spec listed in Table 8 Timing for Management Interface Control and Status.

1 **4.1.3.10 Fault State (Steady)**

2 CFP module enters this state from any states except Reset state upon the assertion of bits
3 in Module Fault Status register. On entry to this state, CFP module shall immediately de-
4 assert MOD_READY.

5
6 In this state, the CFP management interface and DDM shall remain fully functional. The
7 module shall be put in low power mode to avoid the possibility of permanent module
8 damage. Further diagnosis of the failure can be conducted by interrogating CFP FAWS
9 summary registers and other registers.

10
11 In this state, the PHYs are powered down and loop-back is not possible. The nAUI outputs
12 shall go to a steady state (no transitions).

13
14 Fault state is a steady state, and it shall exit to Reset state upon the assertion of
15 MOD_RSTs.

16 **4.2 State Transition Diagram**

17 The CFP module state transition is shown in *Figure 4 State Transition Diagram during*
18 *Startup and Turn-off*. The top row of states and the associated transitions are typical of the
19 CFP module startup sequence. The Host can control the power-on sequence by controlling
20 the conditions of MOD_RSTn, MOD_LOPWR, and TX_DIS.

21
22 When TX_DISs is asserted in Ready state, CFP module shall enter the TX-Turn-off state
23 and then transient to TX-Off state.

24
25 When MOD_LOPWRs is asserted in Ready state, CFP module shall enter TX-Turn-off
26 state and High-Power-down states sequentially. And then it shall enter Low-Power state.

27
28 When MOD_RSTs is asserted in Ready state, CFP module shall first enter TX-Turn-off
29 State and then High-Power-down State before entering Reset State.

30
31 When one or more fault conditions occur, CFP module shall enter the Fault State.

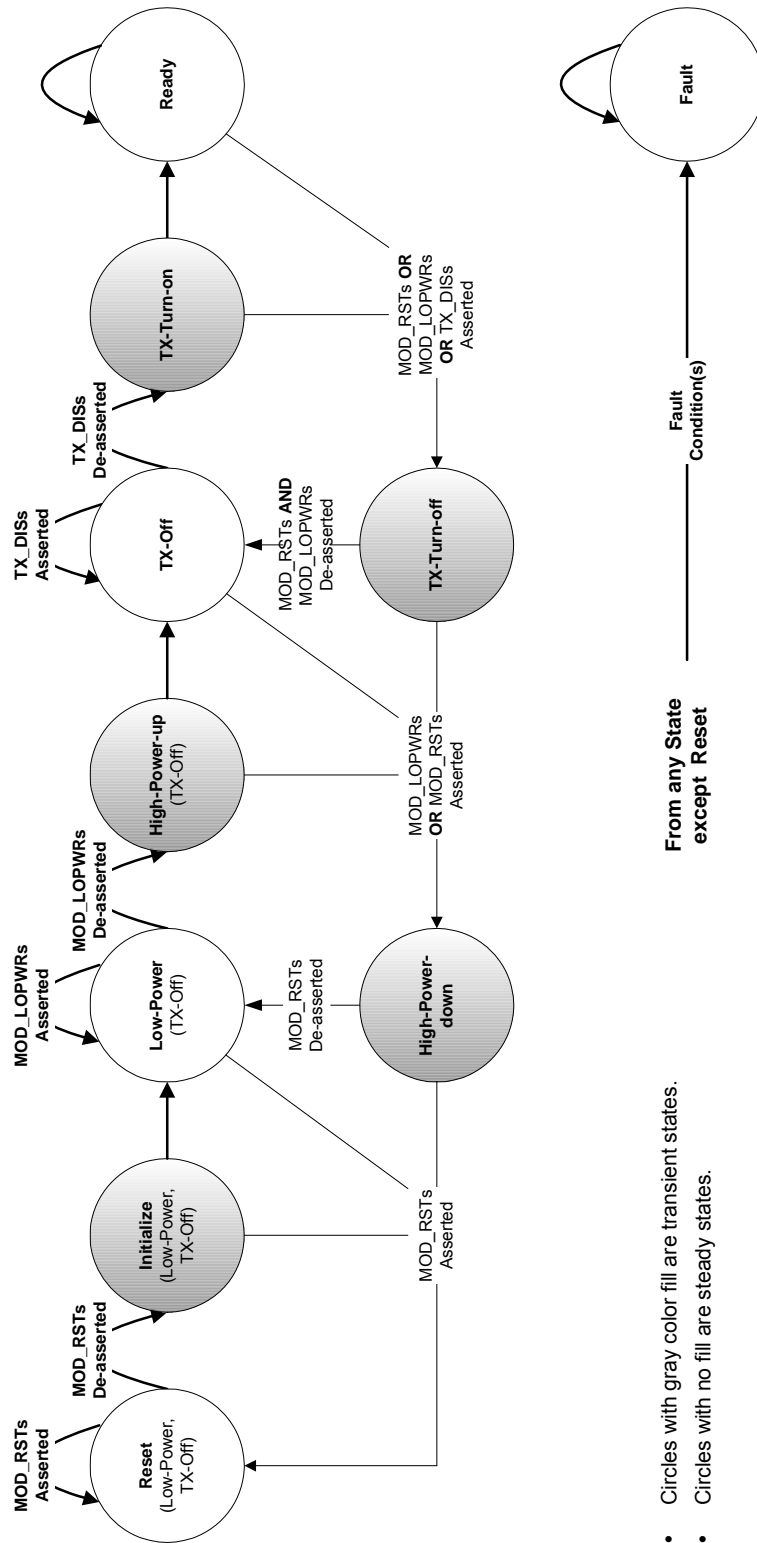
32
33 Behavior of the signals affected by module state transition is defined in
34 Table 4 Behavior of Signals Affected by Module State Transition. Of the four signals listed
35 in the table, GLB_ALRM drives the GLB_ALRMn pin. During module startup GLB_ALRMn
36 signals the Host the completion of Initialization.

37
38 The signals HIPWR_ON, MOD_READY, and MOD_FAULT are CFP internally generated
39 signals and are defaults of the programmable alarm pins PRG_ALRMx.

40
41 CFP register bits are allocated and can perform the same functions as the hardware control
42 input pins. Additionally, Module State and Module State Latch registers provide the current
43 module state and the state history.

1

Figure 4 State Transition Diagram during Startup and Turn-off



2
3

1

Table 4 Behavior of Signals Affected by Module State Transition

Signals	CFP Module State									
	Reset	Initialize	Low-Power	High-Power-up	TX-Off	TX-Turn-on	Ready	TX-Turn-off	High-Power-down	Fault
GLB_ALARM	D*	D*	A	A/D	A/D	A/D	A/D	A/D	A/D	A/D
HIPWR_ON	D*	D*	D	D	A	A	A	A	D	D
MOD_READY	D*	D*	D	D	D	D	A	D	D	D
MOD_FAULT	D*	D*	D	D	D	D	D	D	D	A
<p>D* = De-asserted, guaranteed by internal hardware INIT_DONE signal. Note GLB_ALARM is the internal complement of GLB_ALRMn pin and it shall be de-asserted if MOD_RSTs is asserted. The HIPWR_ON, MOD_READY, and MOD_FAULT are defaulted to PRG_ALARM1, PRG_ALARM2, and PRG_ALARM3 pins respectively on module startup.</p> <p>A/D = Asserted or De-asserted depending upon Host's clear-on-read and Host-enabled status.</p> <p>A = Asserted.</p> <p>D = De-asserted.</p>										

2 **4.3 Examples of Module Startup and Turn-off Sequence**

3 The examples below illustrate that the Host can control the module startup sequence by
4 setting the initial conditions of MOD_RSTs, MOD_LOPWRs, and TX_DISs.

5 **4.3.1 Power-up CFP Module to Ready State without Host Transition Control**

6 *Figure 5 Module Startup Sequence Example 1: No Host Transition Control* illustrates CFP
7 MSA specified module startup sequence for the Host to power up the CFP module to
8 Ready state without the Host intervention. In this instance, the Host sets up the CFP
9 module connector initial condition by applying Vcc to the connector and de-asserting
10 MOD_RSTn, MOD_LOPWR, and TX_DIS.

11
12 The **staggered** arrangement of the connector pins (Reference 5) causes ground and Vcc to
13 first contact CFP module. At the time when Vcc becomes available the pull-up/pull-down
14 resistors in the module assert MOD_RSTn, MOD_LOPWR, and TX_DIS. As the "Plug-in"
15 action progresses, MOD_RSTn and TX_DIS are in contact with the Host and hence they
16 are de-asserted. Finally MOD_ABS and MOD_LOPWR are engaged. This causes
17 MOD_LOPWR de-assertion. Hence the initial conditions the Host applies to the CFP
18 module take effect.

19
20 The CFP module, under these initial conditions, goes through Reset, Initialize, High-Power-
21 up, TX-Off, TX-Turn-on states, and finally enters Ready state. During this course, the CFP
22 module asserts GLB_ALARM, HIPWR_ON, and MOD_READY signals sequentially. These
23 signals inform host the completion of module initialization and MDIO availability, module
24 fully powering up, and module ready, respectively.

1 MSA specifies two registers which contain Maximum High-Power-up Time and Maximum
2 TX-Turn-on Time. Host uses these two parameters to determine how long it shall wait at
3 each stage if reading HIPWR_ON and MOD_READY as the signals of progress monitor is
4 not desirable or not available. Vendor shall provide these two register values as they may
5 vary from product to product and from vendor to vendor.

6 **4.3.2 Power-up the Module with Full Host Transition Control**

7 In contrast to the case presented in 4.3.1, the Host can apply full control over the course of
8 module power-up sequence. This example is illustrated by Figure 6 Module Startup
9 Sequence Example 2: Full Host Transition Control.

10 **4.3.3 Power-Up the Module with Some Host Transition Control**

11 In some case, it is desirable to power up the module to Low-Power state. For this example,
12 the Host may change PRG_ALRMs and PRG_CNTLs, before de-asserting MOD_LOPWR
13 in the Low-Power State. This example is illustrated in Figure 7 Module Startup Sequence
14 Example 3: Some Host Transition Control.

15 **4.3.4 Example of Module Turn-off Sequence**

16 Figure 8 Module Turn-off Sequence Example: No Host Transition Control illustrates the
17 example of module turn-off sequence without the Host transition control by hot-un-plug. In
18 this case, un-plug action causes assertions of MOD_ABS and MOD_LOPWR first. Then
19 due to module extraction, MOD_RSTn is asserted. CFP module enters TX-Turn-off state
20 and High-Power-down state subsequently. Between these events, CFP module de-asserts
21 MOD_READY, HIPWR_ON, and GLB_ALRM sequentially and enters Reset. Finally Vcc is
22 disconnected.

23 **4.4 Special Modes of Operation**

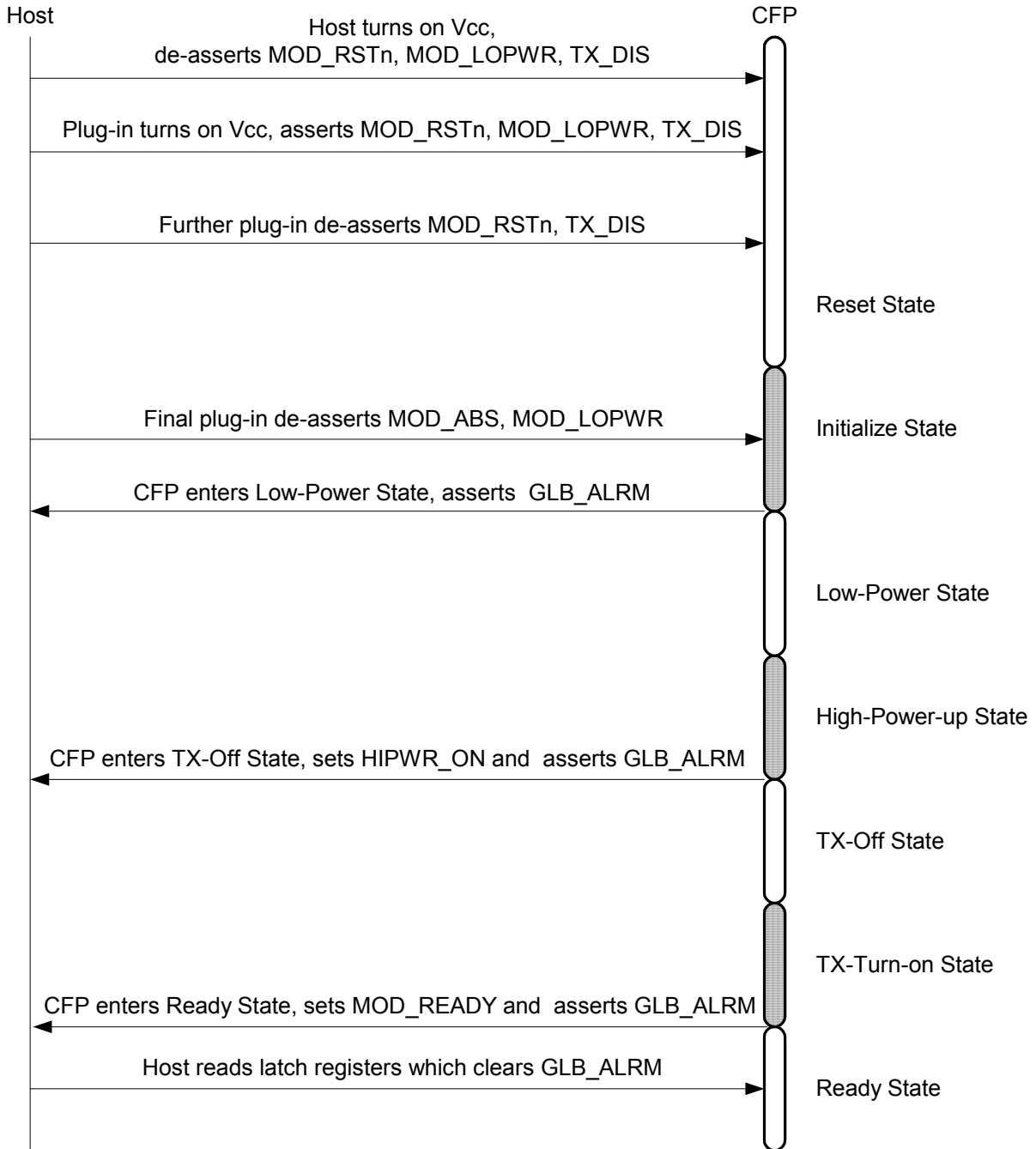
24 CFP MSA defines additional operation modes such as transmitting only and receiving only
25 for a CFP module. CFP MSA specifies the standard operation mode is bi-directional. Uni-
26 directional operation is optional (vendor-specific support). CFP register Module Enhanced
27 Options register identifies what optional operation modes are supported for a particular
28 module.

29
30 To power up the module in receiving only mode, the Host needs to assert TX_DIS and
31 keeps other control signals as required. In this way CFP module will power up to TX-Off
32 state and uses HIPWR_ON to inform the Host it is ready for receiving data. Figure 9
33 Module Start-up Sequence Example: Operating in RX Only Mode depicts this application.
34 The support of transmitting only mode is no different from normal working mode except that
35 the Host may expect CFP module to squelch the electrical outputs.

36
37
38
39

1 Figure 5 Module Startup Sequence Example 1: No Host Transition Control

NOTE: the following assumes the Host does not change the default register values

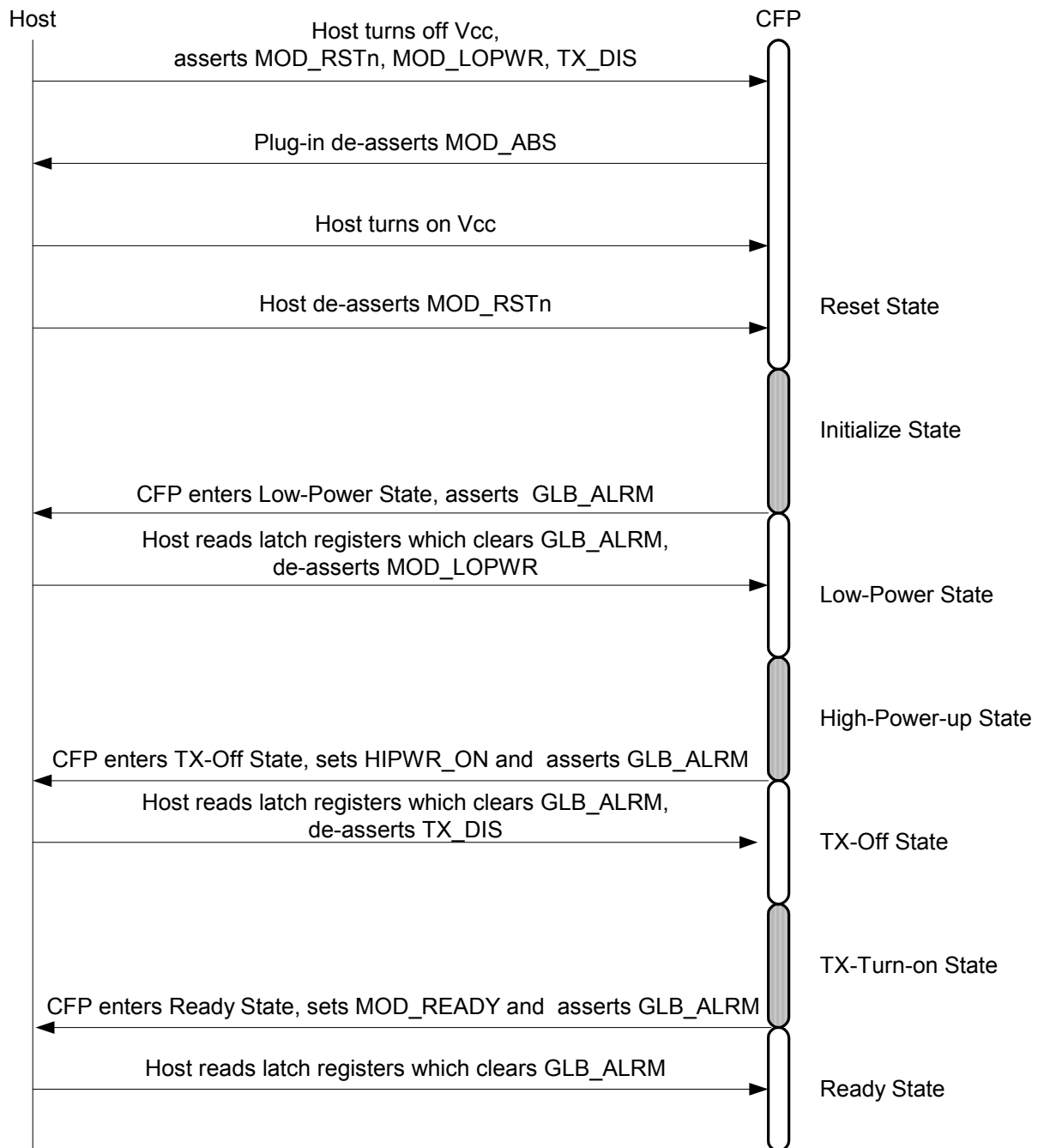


2
3

1 Figure 6 Module Startup Sequence Example 2: Full Host Transition Control

2

NOTE: the following assumes the Host does not change the default register values

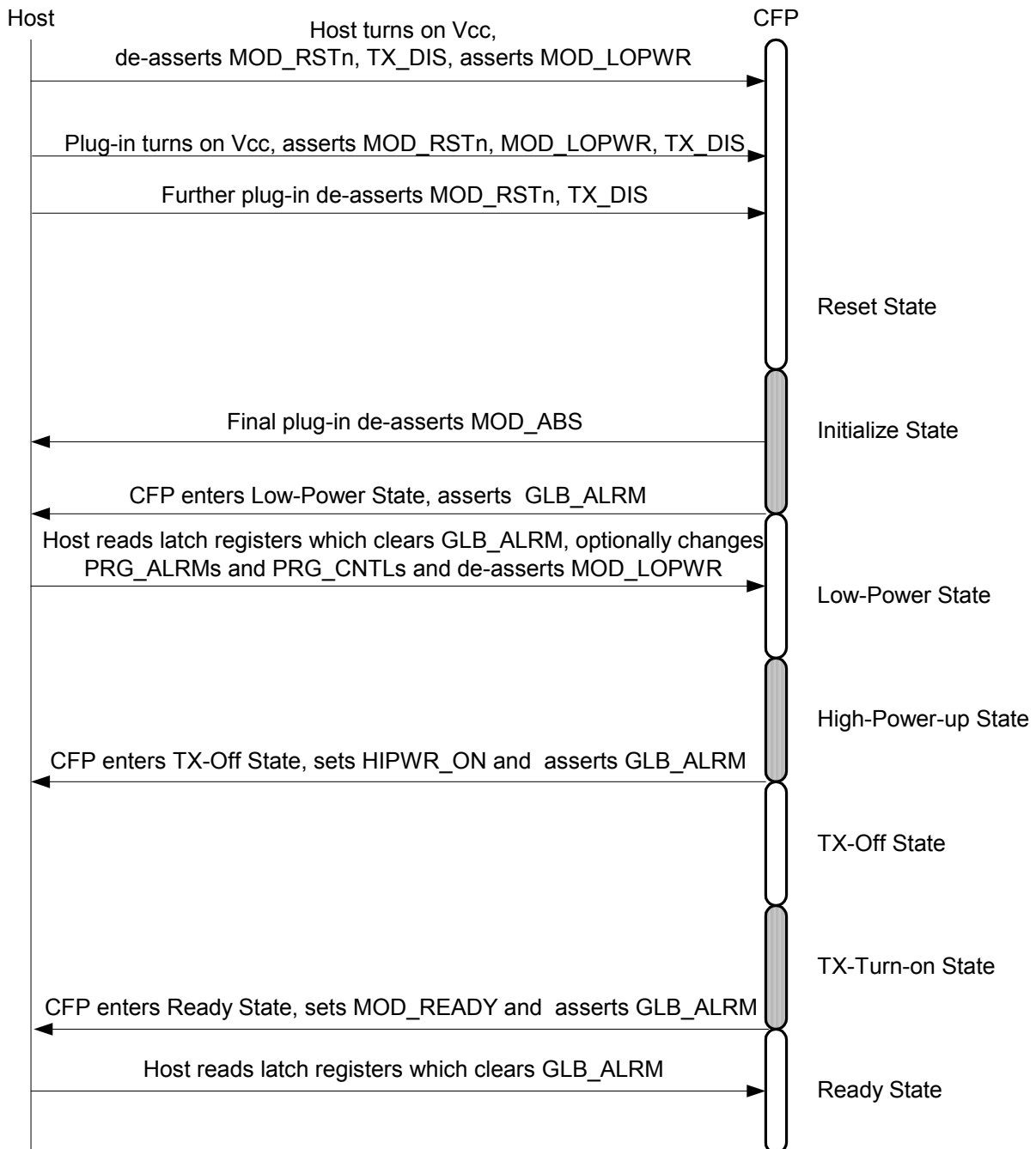


3
4

1 *Figure 7 Module Startup Sequence Example 3: Some Host Transition Control*

2

NOTE: the following assumes the Host does not change the default register values, except as noted below



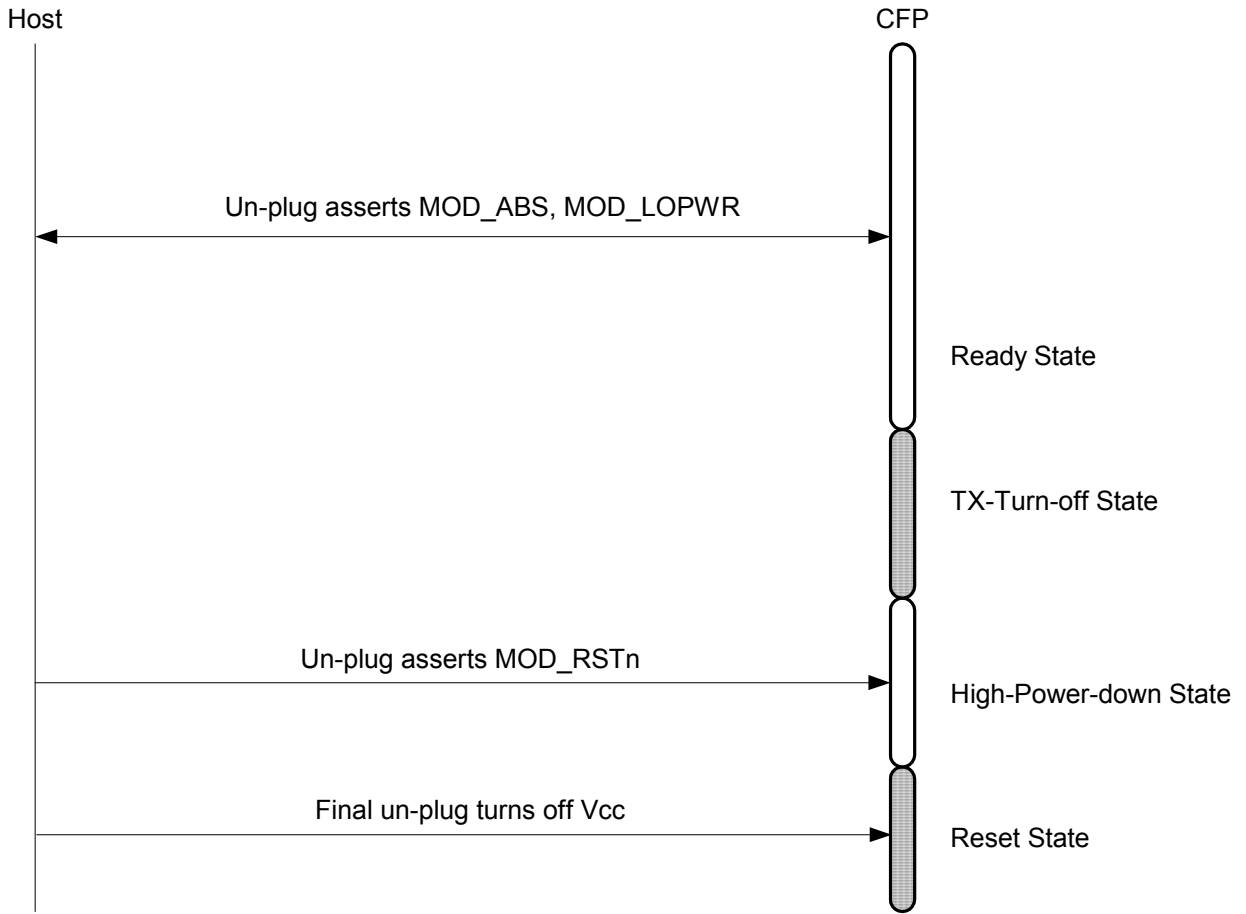
3

4

5

1
2

Figure 8 Module Turn-off Sequence Example: No Host Transition Control

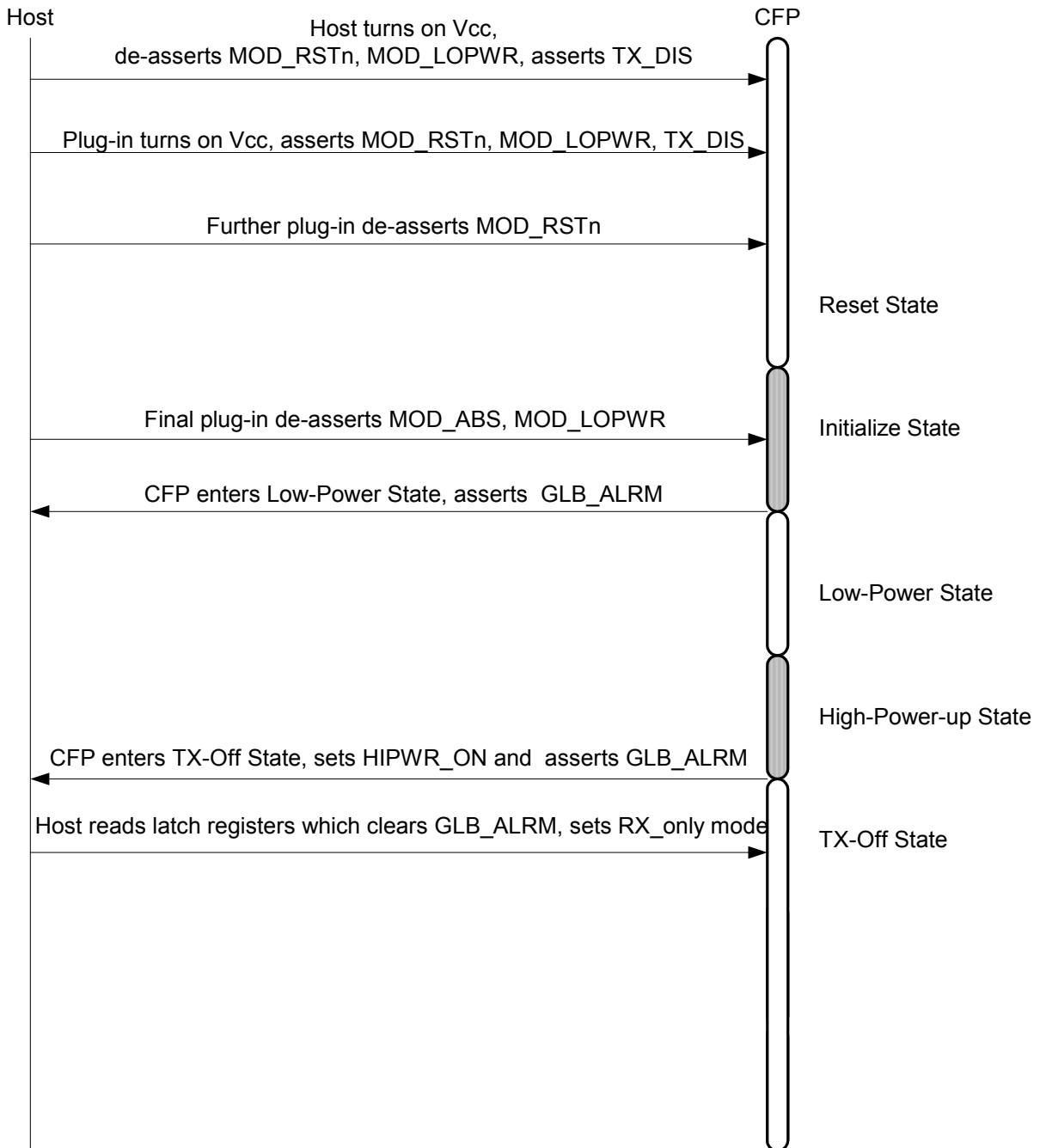


3
4

1 Figure 9 Module Start-up Sequence Example: Operating in RX Only Mode

2

NOTE: the following assumes the Host does not change the default register values



3
4
5

1 **4.5 Behavior of FAWS in CFP States**

2 CFP module shall eliminate the spurious FAWS signals in various CFP module states,
3 based on a set of rules defined by CFP MSA. CFP MSA classifies all the GLB_ALRM
4 contributing FAWS signals into three types: FAWS_TYPE_A, FAWS_TYPE_B and
5 FAWS_TYPE_C. The type for each FAWS signal is annotated in Table 27 CFP Module VR
6 1, Table 29 Network Lane VR 1, and Table 32 Host Lane VR 1.
7

8 CFP MSA specifies the behavior of each FAWS type according to Table 5 Behavior of
9 FAWS Type in Different Module States. Note that CFP module shall use
10 FAWS_TYPE_[ABC]_ENA to eliminate any spurious FAWS reporting during state
11 transition.

12 Table 5 Behavior of FAWS Type in Different Module States

FAWS Type	CFP Module State									
	Reset	Initialize	Low-Power	High-Power-up	TX-Off	TX-Turn-on	Ready	TX-Turn-off	High-Power-down	Fault
FAWS_TYPE_A	OFF	OFF	A	A	A	A	A	A*	A*	A
FAWS_TYPE_B	OFF	OFF	OFF	OFF	A	A	A	A*	OFF	A
FAWS_TYPE_C	OFF	OFF	OFF	OFF	OFF	OFF	A	OFF	OFF	A
A = FAWS sources are allowed (i. e. not masked). Status registers and latch registers are functional. A/D values reflect the actual measurements.										
A* = OFF if the MOD_RSTs is asserted.										
OFF = FAWS sources (status bits) are gated off by CFP module. As a result, the corresponding latch registers will not capture (latch) new events. Latch registers and Enable registers are kept unchanged from previous states. A/D values reflect the actual measurements, although they may not all be available in Low-Power State depending upon module implementation.										

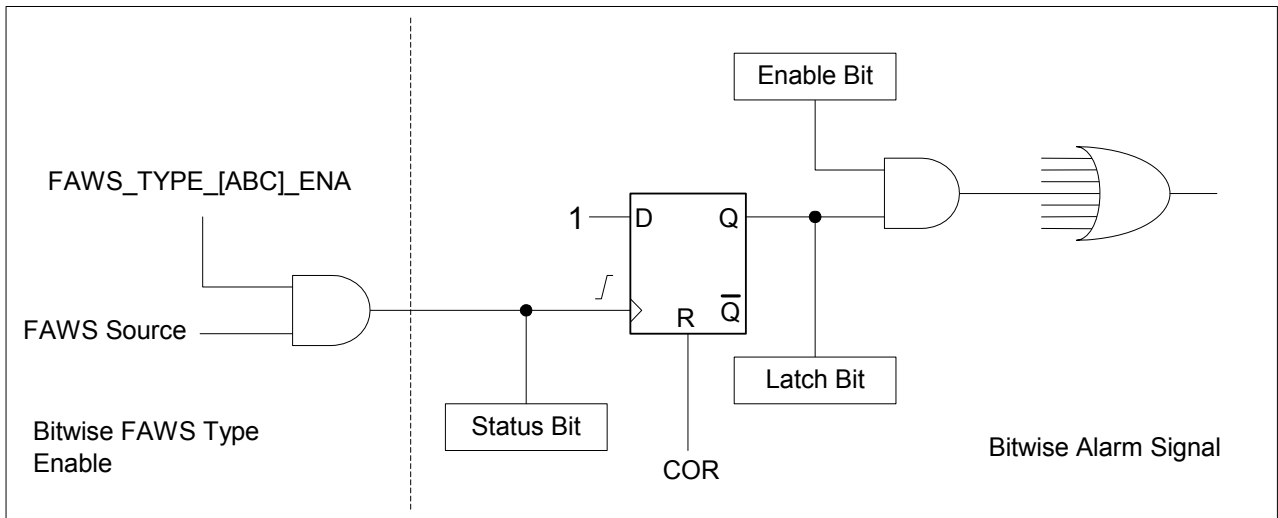
13
14 Figure 10 FAWS Signal Model for a Single Bit illustrates the mechanism of a signal source
15 contributing to the global alarm and the relationship between status, latch, and enable
16 registers. In this figure, a set of CFP internal FAWS_[ABC]_ENA signals are used to
17 control the behavior of each FAWS source signal. Note that Module State register is not
18 subject to FAWS_[ABC]_ENA control.

19 **4.6 Global Alarm System Logic**

20 The CFP module uses GLB_ALRM, to alert the Host any condition outside normal
21 operating conditions. The GLB_ALRM is related to all the contributing FAWS registers
22 including the status registers, the latch registers, and the enable registers, all listed in Table
23 6 Global Alarm Related Registers.
24
25

1

Figure 10 FAWS Signal Model for a Single Bit



2
3

4 Figure 11 depicts the global alarm signal aggregation logic. In this system, status registers
5 drive the latch registers on a bit-by-bit basis. The logic OR of all enabled bits in the latched
6 registers drives GLB_ALARM. This simple and flat OR combinational logic minimizes the
7 assert time after a global alarm condition happens.

8

9 Also shown in Figure 11, the Host shall control which latched bits resulting in a global alarm
10 assertion by asserting individual bits in the enable registers. All enabling bits shall be
11 volatile and startup with initial values defined in Table 27 CFP Module VR 1, Table 29
12 Network Lane VR 1, and Table 32 Host Lane VR 1.

13

14 When GLB_ALARM alerts the Host to a latched condition, the Host may query the latched
15 registers for the condition. The latched bits are cleared on the read of the corresponding
16 register. Thus a read of all latched registers can be used to clear all latched register bits
17 and to de-assert GLB_ALARM.

18

19 In order to minimize the number of reads for locating the origin of the global alarm
20 condition, the Host may use the global alarm query hierarchy listed in Table 7 Global Alarm
21 Query Hierarchy.

22

Table 6 Global Alarm Related Registers

Description	CFP Register Addresses
Summary Registers	
Global Alarm Summary	A018h
Status Registers	
Module State	A016h
Module General Status	A01Dh
Module Fault Status	A01Eh
Module Alarms/Warnings 1	A01Fh

Module Alarms/Warnings 2	A020h
Network Lane Alarms and Warnings	A200h + n, n = 0, 1, ..., N-1.
Network Lane Fault and Status	A210h + n, n = 0, 1, ..., N-1.
Host Lane Fault and Status	A400h + m, m = 0, 1, ..., M-1.
Latch Registers	
Module State Latch	A022h
Module General Status Latch	A023h
Module Fault Status Latch	A024h
Module Alarms/Warnings 1 Latch	A025h
Module Alarms/Warnings 2 Latch	A026h
Network Lane Alarms and Warnings Latch	A220h + n, n = 0, 1, ..., N-1.
Network Lane Fault and Status Latch	A230h + n, n = 0, 1, ..., N-1.
Host Lane Fault and Status Latch	A410h + m, m = 0, 1, ..., M-1.
Enable Registers	
Module State Enable	A028h
Module General Status Enable	A029h
Module Fault Status Enable	A02Ah
Module Alarms/Warnings 1 Enable	A02Bh
Module Alarms/Warnings 2 Enable	A02Ch
Network Lane Alarms and Warnings Enable	A240h + n, n = 0, 1, ..., N-1.
Network Lane Fault and Status Enable	A250h + n, n = 0, 1, ..., N-1.
Host Lane Fault and Status Enable	A420h + m, m = 0, 1, ..., M-1.
Notes:	
1. "n" denotes the network lane index.	
2. "N" is the total number of network lanes supported in a CFP module. The maximum value of N is 16.	
3. "m" denotes the host lane index.	
4. "M" is the total number of host lanes supported in a CFP module. The maximum value of M is 16.	

1

Table 7 Global Alarm Query Hierarchy

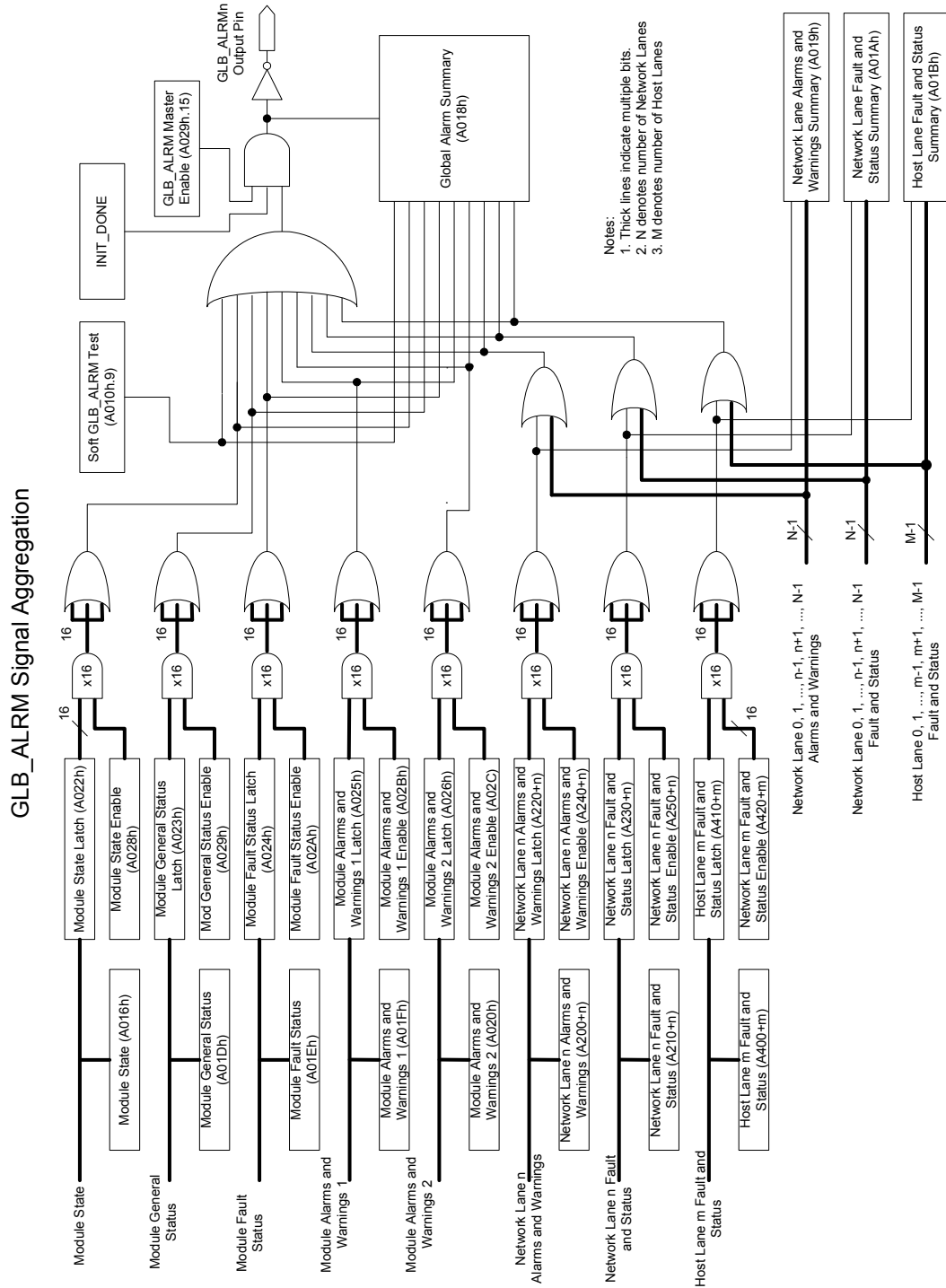
Query Level	CFP Register Name	CFP Register Addresses
1	Global Alarm Summary	A018h
2	Network Lane Alarms and Warnings Summary	A019h
2	Network Lane Fault and Status Summary	A01Ah
2	Host Lane Fault and Status Summary	A01Bh
3	Network Lane Alarms and Warnings Latch, lane n	A220h + n, n = 0, 1, ..., N-1.
3	Network Lane Fault and Status Latch, lane n	A230h + n, n = 0, 1, ..., N-1.
3	Host Lane Fault and Status Latch, lane m	A410h + m, m = 0, 1, ..., M-1.
Notes:		
1. "n" denotes the network lane index.		
2. "N" is the total number of network lanes supported in a CFP module. The maximum N value is 16.		
3. "m" denotes the host lane index.		
4. "M" is the total number of host lanes supported in a CFP module. The maximum M value is 16.		

2 **4.6.1 Latched and Summary Registers Synchronization**

3 Latched registers and their parent summary registers shall be updated synchronously such
 4 that they are coherent in consecutive MDIO reads. For example, if an MIDO read detects a
 5 change in a summary register, a subsequent read to the reporting latched alarm register
 6 shall reflect the presence of the latched alarm condition.

1

Figure 11 Global Alarm Signal Aggregation



32

1 **4.7 Specific Host Controls over Management Interface**

2 **4.7.1 Soft Module Reset (A010h.15) Function**

3 Internal to CFP, this bit is logically OR'ed with both hardware pin MOD_RSTn and internally
4 generated Vcc_Reset. This bit puts CFP module in Reset state when it is asserted by host.
5 Once this bit is asserted by the Host it can only be cleared by CFP module. After a module
6 reset caused by the assertion of this bit, CFP module exits Reset State if neither
7 MOD_RSTn nor Vcc_Reset is asserted.

8 **4.7.2 Soft Global Alarm Test (A010h.9) Function**

9 This bit is provided for the host to forcibly assert the GLB_ALARM output, if desired. When
10 GLB_ALARM function (refer to next paragraph) is enabled, asserting this control bit will
11 assert the GLB_ALARM. This bit also directly feeds to Soft GLB_ALARM Test Status bit in
12 Global Alarm Summary register for Host to verify the assertion of this bit.
13

14 The effect of this Soft Global Alarm Test bit can be verified by reading the GLB_ALARM
15 State bit in Module General Status register. The GLB_ALARM Master Enable bit in Module
16 General Status Enable register is provided as the master control to globally enable/disable
17 GLB_ALARM. With this function Host does not need to change the settings of individual
18 enable bits to disable the GLB_ALARM function.

19 **4.8 Timing for Management Interface control and status reporting**

20 Timing requirements for soft control, status functions and state transitions times are defined
21 in Table 8 Timing for Management Interface Control and Status. For timing parameters
22 related to the hard control and alarm pins refer to the CFP MSA Hardware Specification
23 document.

24 Table 8 Timing for Management Interface Control and Status

Item	Parameter	Min	Max	Unit	Conditions
1	Soft Module Reset assert time		150	ms	Time from Soft Module Reset asserted ¹ until CFP module enters Reset state.
2	Soft TX Disable assert time		150	ms	Time from the Soft TX Disable asserted ¹ until all of the network lane optical (or electrical) outputs fall below 10% of nominal.
3	Soft TX Disable de-assert time		150	ms	Time from Soft TX Disable de-asserted ¹ until the CFP module enters the TX-Turn-on State. The actual TX on time is this time plus the Maximum TX-Turn-on Time stored in CFP Register 8073h. The TX on time is when all of the network lane optical (or electrical) outputs rise above 90% of nominal.
4	Soft Module Low Power assert time		150	ms	Time from Soft Module Low Power asserted ¹ until module enters High-Power-down state. The actual power down time is this time plus the Maximum High-Power-down Time stored in Register 8077h.

Item	Parameter	Min	Max	Unit	Conditions
					The power down time is when the total module power consumption less than 2 Watts.
5	Soft Module Low Power de-assert time		150	ms	Time from Soft Module Low Power de-asserted ¹ until module enters High-Power-up State.
6	RX_LOS assert time		150	ms	Time from hardware RX_LOS pin asserted to RX_LOS Pin State (in A01Dh) asserted.
7	RX_LOS de-assert time		150	ms	Time from hardware RX_LOS pin de-asserted to RX_LOS Pin State de-asserted.
8	GLB_ALRMn assert time		150	ms	Time from any condition of FAWS alarm/status state to GLB_ALRMn asserted.
9	GLB_ALRMn de-assert time		150	ms	Time from last FAWS condition cleared to GLB_ALRMn de-asserted.
10	PRG_ALRM1 assert time		150	ms	Time from programmed FAWS condition occurrence to PRG_ALRM1 asserted.
11	PRG_ALRM2 assert time		150	ms	Time from programmed FAWS condition occurrence to PRG_ALRM2 asserted.
12	PRG_ALRM3 assert time		150	ms	Time from programmed FAWS condition occurrence to PRG_ALRM3 asserted.
13	PRG_ALRM1 de-assert time		150	ms	Time from programmed FAWS condition cleared to PRG_ALRM1 de-asserted.
14	PRG_ALRM2 de-assert time		150	ms	Time from programmed FAWS condition cleared to PRG_ALRM2 de-asserted.
15	PRG_ALRM3 de-assert time		150	ms	Time from programmed FAWS condition cleared to PRG_ALRM3 de-asserted.
16	PRG_CNTL1 assert time		150	ms	Time from PRG_CNTL1 asserted to programmed function to take effect.
17	PRG_CNTL2 assert time		150	ms	Time from PRG_CNTL2 asserted to programmed function to take effect.
18	PRG_CNTL3 assert time		150	ms	Time from PRG_CNTL3 asserted to programmed function to take effect.
19	PRG_CNTL1 de-assert time		150	ms	Time from PRG_CNTL1 de-asserted to the programmed function to cancel its effect.
20	PRG_CNTL2 de-assert time		150	ms	Time from PRG_CNTL2 de-asserted to the programmed function to cancel its effect.
21	PRG_CNTL3 de-assert time		150	ms	Time from PRG_CNTL3 de-asserted to the programmed function to cancel its effect.
22	MOD_FAULT assert time		150	ms	Time from the conclusion of any fault condition occurrence to MOD_FAULT asserted
23	HIPWR_ON assert time		150	ms	Time from module exiting High-Power-up state to HIPWR_ON asserted.
24	MOD_READY assert time		150	ms	Time from module entering Ready state to MOD_READY asserted.
1. Measured from the conclusion of Host write transaction.					

1 **4.8.1 Miscellaneous Timing**

2 Table 9 Miscellaneous Timing lists other timing parameters used in this Specification.

3 Table 9 Miscellaneous Timing

Item	Parameter	Min	Max	Conditions	Reference Clause
1	T_refresh	-	50 * (N+1) ms	DDM (A/D) data update rate. N = number of network lanes	2.3d, 5.5.8
2	T_assert	100 us	-	Minimum h/w input assertion time	4.1.1.5
3	T_initialize	-	2.5 s	From de-assertion of MOD_RSTs until the end of the Initialize State	4.1.3.2
4	T_high_power_up_max	-	Stored in NVR register 8072h	Max. time for the High-Power-up transient state to persist.	5.1.46
5	T_tx_turn_on_max	-	Stored in CFP NVR register 8073h	Max. time for the TX-Turn-on transient state to persist.	5.1.47
6	T_tx_turn_off_max	-	Stored in CFP NVR register 8076h	Max. time for the TX-Turn-off transient state to persist.	5.1.50
7	T_high_power_down_max	-	Stored in CFP NVR register 8077h	Max. time for the High-Power-down transient state to persist.	5.1.51
8	T_CDB_Timeout	-	150 ms	CDB Status stays in the state of "Command in Progress" and CDB Message = "02h: Command checking is in progress".	4.12.2

4 **4.9 Bit Error Rate Calculation**

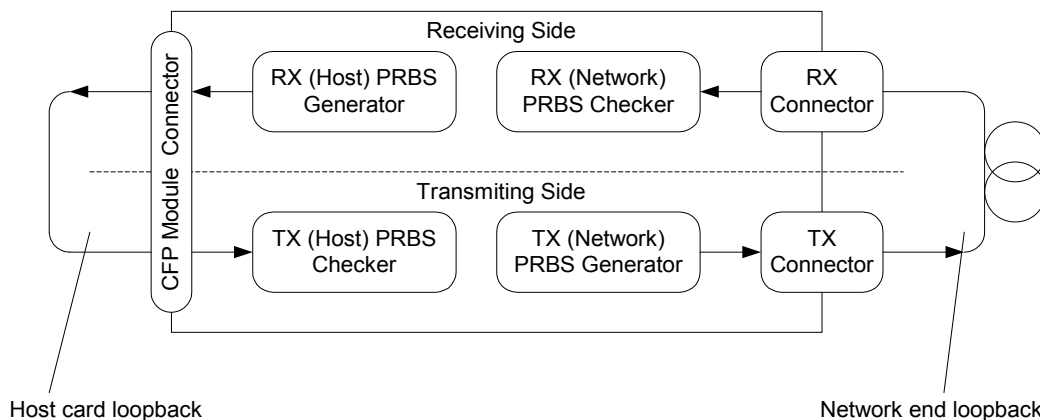
5 Optionally CFP module may have built-in PRBS generators and checkers. Figure 12 CFP
6 Built-in PRBS Components and Test Signal Flow illustrates the relationship between these
7 components and a loopback based test signal flow.

8 **4.9.1 Network Lane PRBS Setup**

9 CFP MSA specifies optional PRBS generator and error checker for each network lane with
10 CFP register controls. To start a PRBS session, Host shall select the desired PRBS
11 pattern by setting the Extended Tx Network Lane PRBS Modes Enable bit in the Module
12 General Control 2 Register (A015.15) and the TX PRBS Pattern 1 and TX PRBS Pattern 0
13 bits in the Network Lane TX Control register (A011h.13~12). The Host enables the PRBS
14 generators by asserting the bit TX PRBS Generator Enable in the same register
15 (A011h.14).
16

1 Host shall apply the same operation to Network Lane RX Control register correspondingly
2 to set up and enable the PRBS checker (A015.14 and A012.13~12). The PRBS generator
3 and checker functions shall be stopped by de-asserting the TX PRBS Generator Enable
4 and the RX PRBS Checker Enable (A012h.14), respectively.
5

6 **Figure 12 CFP Built-in PRBS Components and Test Signal Flow**



7 Host card loopback Network end loopback

8 **4.9.2 Network Lane BER Calculation**

9 Upon assertion of RX PRBS Enable bit CFP module shall automatically set the Network
10 Lane PRBS Data Bit Count and Network Lane PRBS RX Error Count (each per lane) to
11 zero and shall start the accumulation. CFP module shall stop the accumulations for both
12 data bit counting and error bit counting after RX PRBS Checker Enable is de-asserted.
13 The counts shall be kept unchanged until RX PRBS Checker Enable is asserted next time.
14

15 The Host can read the Network Lane PRBS Data Bit Count and the per-lane Network Lane
16 PRBS RX Error Count at any time. The bit error rate (BER) can be calculated by simply
17 dividing the RX error count by data bit count. To achieve an accurate BER calculation, it is
18 recommended that the Host reads these registers after PRBS Enable is de-asserted.
19

20 Both Network Lane PRBS Bit Count and Network Lane PRBS Error Count registers use an
21 ad-hoc floating data format with 6-bit unsigned exponent and 10-bit unsigned mantissa.
22 While the maximum count of this ad-hoc floating point number is $1023 \cdot 2^{63} \approx 2^{73}$, CFP
23 MSA specifies the effective maximum count to be $2^{64} - 1$ with a precision of $1/1024$ in
24 using this ad-hoc data format. Some examples in this data format are listed in Table 10
25 CFP Ad-hoc Floating Point Number Examples.

26 **Table 10 CFP Ad-hoc Floating Point Number Examples**

Count N (integer)	Mantissa (M)	Exponent (E)	Value Expression
0 ~ 1023	N	0	$N \cdot 2^0$
1024 ~ 2047	N/2	1	$(N/2) \cdot 2^1$
2048 ~ 4095	N/4	2	$(N/4) \cdot 2^2$
4096 ~ 8191	N/8	3	$(N/8) \cdot 2^3$

1 **4.9.3 Host Lane PRBS Control**

2 Host lane PRBS control is specified similar to that of network lane. The mechanism applies
3 to RX PRBS Pattern 2, RX PRBS Pattern 1 and RX PRBS Pattern 0 in Host Lane Control
4 register (A014h.6~44). The Host enables the PRBS generators by asserting the bit RX
5 PRBS Generator Enable in the same register (A014h.7).

6
7 Host shall apply the same operation to Host Lane Control register (A014h.13~111 and
8 A014h.14) correspondingly to set up and enable the PRBS checker. The host side PRBS
9 generator and checker functions shall be stopped by de-asserting the RX PRBS Generator
10 Enable and the TX PRBS Checker Enable respectively.

11 **4.9.4 Host Lane BER Calculation**

12 BER calculation for host lane is similar to that of network lane. In calculation, the Host shall
13 use the Host Lane PRBS Data Bit Count register at A039h and the Host Lane PRBS TX
14 Error Count registers at A430h through A43Fh.

15 **4.10 CFP Register Access**

16 **4.10.1 Read and Write Accesses**

17 Host shall have the read access to the registers or register bits that have Access Type of
18 RO, RW, and COR on pages 8000h, A000h, and B000h.

19
20 Host shall have write access to the CFP registers or register bits that have Access Type of
21 RW and WO on Pages 8000h and A000h. Host writes to User NVRs results in volatile
22 values which are stored in shadow registers.

23
24 Both Read and Write operations are conducted by directly using MDIO Command Frames.

25 **4.10.1.1 4.10.1.1 Password Control (Optional)**

26 Password control is optionally provided in CFP MSA MIS Version 2.2 to allow vendor and
27 user control of access to information in the register shadow. Registers A000h ~ A001h are
28 allocated for the password entry. If this option is not supported, these registers shall be
29 read as 00000000h. Otherwise, these registers shall be read as FFFFFFFFh. Register
30 access under password control is shown in Table 11: Register Access Password
31 Requirements. If this option is not supported, any entries in the table that are not marked
32 as N/A do not require a password.

33
34 When password control is supported, the password entry registers are write-only (WO) and
35 shall always read FFFFFFFFh. Any values written to these registers are retained until
36 Reset or rewritten by the host. Password is a 2-word long data with the most significant
37 word occupying the lower register address. Password values for the user shall be in the
38 range of 00000000h to 7FFFFFFFh. Password values for the vendor shall be in the range
39 of 80000000h to FFFFFFFFh. MSA specifies the default user password value as
40 01011100h.

1 **4.10.1.1.1 Power On/Reset Password Initialization**

2 On power up and reset, the Password Entry registers shall be initialized to 00000000h.
3 The initialized contents of the Password Entry registers are compared to the previously
4 stored password value. If the previously stored password value is 00000000h, full access
5 to password protected registers shall be allowed. Note that even though the internal
6 contents of these registers have been initialized to 00000000h, a read of these registers by
7 the host shall return FFFFFFFFh.

8 **4.10.1.1.2 Password Entry**

9 The password shall be entered by writing a value to registers A000h and A001h. If the
10 contents of both registers match to the previously stored password value **or the password**
11 **function is disabled with Disable Password of CDB command**, full access to password
12 protected registers shall be also allowed. If the contents do not match to the previously
13 stored password, any access to password protected registers shall not be allowed. A
14 correct password entry shall enable NVR access in the next MIDIO Read/Write cycle. An
15 alternative CDB command Enter Password is specified with CDB Reply allowing host to
16 request password entry validity from a module if so desired.

17 **4.10.1.1.3 Password Change**

18 The user password can be changed by writing the new value to the Password Change
19 registers A002h and A003h after a password entry is successful. The new password value
20 shall be stored and take effect only after writing the Save User Password command to
21 register A004h. An alternative CDB command Save New Password is specified with CDB
22 Reply allowing host to request the Save New Password validity from a module.

23 *Table 11: Register Access Password Requirements*

Register	Read	Write	Restore	Save	Note
Module NVR Tables	Not Required	N/A	N/A	N/A	1) Without an appropriate password, a read attempt shall get FFFFh. 2) Using register A004h to operate.
Vendor NVR Tables	Required ¹	N/A	N/A	N/A	
User NVR Tables	Required ¹	Required ¹	Required ^{1,2}	Required ^{1,2}	
Module VR Tables	Not Required	Not Required	N/A	N/A	

24 **4.10.2 User NVR Restore and Save Functions**

25 To write permanently to User NVR registers Host shall use the “Save” function to store the
26 shadowed data into underlying NVM. The host only needs to perform a single Save
27 operation to copy the entire User NVR shadow registers to the underlying NVM after
28 finishing the editing the data. CFP MSA further specifies the minimum number of Save
29 operation greater than 10,000 times.

30
31 Upon power-up or reset the User NVR shadow registers are “Restored” with NVM values.
32 Restore function is also called to update the User NVR shadow registers with previously
33 stored NVM values if the edited content of User NVRs is not desired. Note that the Restore

1 function will overwrite the NVR shadow registers, losing any host-written values in them
2 that have occurred since the last Save to the underlying NVM.
3
4 The NVR Access Control Register (A004h) provides the Restore and Save functions for
5 Host to restore and save the User NVRs content. This register has a structure described in
6 Table 12 User NVRs Access Control Register (A004h) and Table 27 CFP Module VR 1.

7 Table 12 User NVRs Access Control Register (A004h)

Access Type	Bit	Bit Field Name	Description ⁵	Init Value
RW	15~9	Reserved	Vendor specific	0
RO	8~6	Reserved		0
RW ¹	5	Command ²	0: Restore User NVRs 1: Save User NVRs	0
RO	4	Reserved		0
RO	3~2	Command Status ³	00b: Idle, 01b: Command completed successfully, 10b: Command in progress, 11b: Command failed.	00b
RW ¹	1~0	Extended Command	00b ~ 01b: Vendor specific, 10b: Save User Password ⁴ . If bit 5 = 0, command has no effect. 11b: Restore/Save all User NVRs.	00b

1. Once a command has been invoked the values written to the “Command” and “Extended Command” bits are held until the RSC state machine transitions back to the idle state.
2. User writes to the User NVRs Access Control Register are not valid, except if an idle state is observed in Command Status. A read of this register after command completes is required to return to idle (reverts command status to 00b. Further commands should not be issued without returning to idle.
3. Command Status bits are mirrored to CDB Status (register AC00h.9~8). Command Status in A004h bits and CDB Status in AC00h must be synchronized.
4. Not recommended to use. It is recommended to use CDB command Save New Password to replace this implementation.
5. Register A004h is defined functionally similar to 0x8000 in Reference 3.

8 **4.10.2.1 User NVR Restore and Save Command (Bit 5)**

9 Bit 5 in NVR Access Control Register is designated for User NVR restore and save
10 command (RSC). The execution of RSC is illustrated by Figure 13 Restore and Save
11 Command Execution State Diagram. In an idle state any write transaction to the NVR
12 Access Control Register shall initiate a User NVR transaction. A “0” written to bit 5 initiates
13 a User NVR Restore. A “1” written to bit 5 initiates a User NVR Save. The extended
14 command bits (1 and 0) determine the exact nature of the Save/Restore operation.
15

16 Only one command on User NVRs can execute at a time. If a command is initiated, the
17 Command Status bits indicate “Command in Progress” in NVR Access Control Register
18 and further writes to the NVR Access Control Register will be ignored.
19

1 A Soft Module Reset will be queued to avoid crashing the User NVRs and NVM. The Host
2 should always read the NVR Access Control Register to ensure that Command Status is
3 not set to Command In Progress before attempting to assert the MOD_RSTs.

4 **4.10.2.2 Restore and Save Command State Definitions**

5 Table 13 Restore and Save Command State Definitions defines the four states in the
6 execution of RSC transitions. Table 14 Restore and Save Command State Transitions
7 further defines the RSC state transitions when a Restore or Save command is executed.

8 Table 13 Restore and Save Command State Definitions

RSC STATE	When Entered
IDLE	Default state when no Save/Restore user NVRs are in progress.
CMD_PENDING	State where command is pending availability of system resources,
IN_PROGRESS	State assumed while User NVR restore or User NVR save is in process
CMD_COMPLETE	State assumed after User NVR restore or User NVR save has occurred but before outcome has been read from the Command Status bits.

9 Table 14 Restore and Save Command State Transitions

RSC State Transition	Invocation
From IDLE to CMD_PENDING	Initiated by a write to the NVR Access Control Register.
From CMD_PENDING to IN_PROGRESS	Occurs when system resources are free to execute the requested command.
From IN_PROGRESS to CMD_COMPLETE	Initiated by the NVR logic indicating that a User NVR restore or User NVR save operation has been completed.
From CMD_COMPLETE to IDLE	Initiated by a read of the NVR Access Control Register.

10 **4.10.2.3 State Machine Function Definitions**

11 The RSC state machine function definitions used in Figure 13 Restore and Save Command
12 Execution State Diagram are as follows.

13 wr_A004h = MDIO write to NVR Access Control Register (A004h)
14 rd_A004h = MDIO read from NVR Access Control Register
15 exec(cmd_code) = perform command indicated by "cmd_code"

16
17 "cmd_code" defined by combination of bit 5 and bit 1:0 of NVR Access Control
18 Register, or in the case of reset, it is "reset User NVR".

19 **4.10.2.4 Command Status (bits 3, 2)**

20 Following a write to register A004h (initiation of Restore/Save command), bits 3 and 2
21 provide information on the status of the command. A value of 00b indicates an idle
22 condition, 10b indicates that a command is pending or in progress, 01b indicates that the
23 command completed successfully, and 11b indicates that the command failed.

1 **4.10.2.5 Extended Commands (bits 1, 0)**

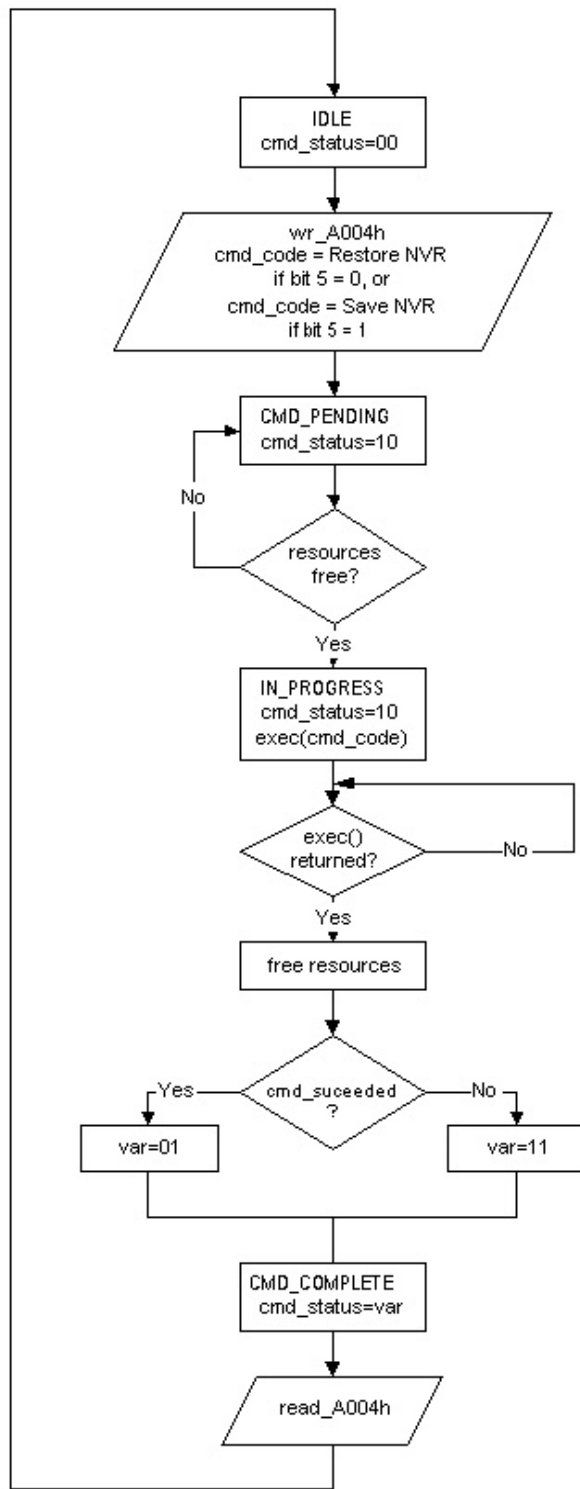
2 The register bits 1 and 0 supplement the basic RSC (bit 5) function. A value of 11b
3 restores and saves all User NVR contents. A value of 10b saves User Password. All
4 other values implement vendor specific commands.

5 **4.10.2.6 NVR Data Safety in Save Function**

6 The following conditions and measures shall be considered to avoid corrupting the user
7 NVR when a Save Command is performed.

- 8 a) After a Save command is issued, the Host shall wait until the Command Status =
9 Command Complete before performing any one of the operations of shutting down
10 VCC, asserting MOD_RSTn, and asserting Soft Module Reset, otherwise the
11 incomplete execution of Save command or NVR data corruption will be resulted.
12 b) The Host shall not expect a Save command to be accepted or executed when it is
13 issued with a CFP module in Reset state or in Initialize state. When the module is in
14 Fault state, it may or may not be able to complete the Save Command successfully,
15 depending upon the nature of the fault.
16 c) Caution should be taken when hot-un-plug the CFP module as described in 4.3.4
17 “Example of Module Turn-off Sequence”. The sequence by the Host and by the CFP
18 module cannot prevent the user NVR data corruption if a Save command is in
19 progress and the module is hot-un-plugged by a user.

1 Figure 13 Restore and Save Command Execution State Diagram



2
3

1 **4.11 Setup of Programmable Control and Alarm Pins**

2 **4.11.1 Relationship between HW PIN PRG CNTLx, MDIO PRG CNTLx Pin State,**
3 **and MDIO PRG CNTLx**

4 Hardware pins PRG_CTRL2 and 3 are used for the hardware interlock function during
5 Initialize State. After initialization, the pin functions follow PRG_CNTL2 and 3 Function
6 Select setting (A005h, A006h). In this case the CFP operation and PRG_CNTL Pin State
7 dependencies on hardware pin settings and Soft PRG_CNTL follow as defined in Table 15
8 HW Pin PRG CNTL1, PRG CNTL1 Pin State, and SOFT PRG CNTL.

9 Table 15 HW Pin PRG CNTL1, PRG CNTL1 Pin State, and SOFT PRG CNTL

	PRG_CNTL1 (Hardware pin)	PRG_CNTL1 Pin State (Register A010h.1)	Soft PRG_CNTL1 (Register A010h.10)	CFP Operation
A	1=high (Normal)	1	0 (Normal)	Normal
B	1=high (Normal)	1	1 (Reset)	Reset
C	0=low (Reset)	0	0 (Normal)	Reset
D	0=low (Reset)	0	1 (Reset)	Reset

10 **4.11.2 Programmable Control Functions for PRG CNTLs**

11 Each programmable control pin can be programmed with the functions defined in Table 16
12 Programmable Control Functions.

13 Table 16 Programmable Control Functions

NAME	FUNCTION	VALUE
TRXIC_RSTn	Reset TX and RX ICs, PRG_CNTL1 MSA default.	0: Normal, 1: Assign TRXIC_RSTn function to any of the 3 hardware pins PRG_CNTL3, PRG_CNTL2, and PRG_CNTL1. When so assigned these hardware pins use the active low logic, that is, 0 = Assert (Reset). Note that when so assigned, their soft counterparts Soft PRG_CNTL3, Soft PRG_CNTL2, and Soft PRG_CNTL1 (A010h.12~10) use an active high logic, that is, 1 = Assert (Reset).

14 **4.11.3 Programmable Alarm Sources for PRG ALRMs**

15 Each programmable alarm pin can be programmed with the alarm sources defined in Table
16 17 Programmable Alarm Sources.

17 Table 17 Programmable Alarm Sources

NAME	ALARM SOURCE	VALUE
HIPWR_ON	Module high-power-on indicator. PRG_ALARM1 MSA default.	0: Module not high powered up, 1: Module high power up completed.
MOD_READY	MOD_READY, module startup sequence done, PRG_ALARM2 MSA default.	0: Not done, 1: Done.

MOD_FAULT	Fault detected. PRG_ALARM3 MSA default.	0: No Fault, 1: Fault.
RX_ALARM	Receive path alarm = RX_LOS + RX_LOL.	0: No receive path alarm, 1: Receive path alarm asserted.
TX_ALARM	Transmit path alarm = TX_LOSF + TX_HOST_LOL + TX_CMU_LOL.	0: No transmit path alarm, 1: Transmit path alarm asserted.
RX_LOL	RX IC Lock Indicator.	0: Locked, 1: Loss of lock.
TX_LOSF	Transmitter Loss of Signal Functionality.	0: All transmitter signals functional, 1: Any transmitter signal not functional
TX_LOL	TX IC Lock Indicator.	0: Locked, 1: Loss of lock.
OOA	Host lane skew out of alignment indicator.	0: No OOA, 1: Out of alignment.

1 **4.12 Common Data block**

2 CFP MSA MIS Version 2.2 specifies a Common Data Block (CDB) in Page A000h by
3 modifying the Bulk Data Block structure introduced in MIS 2.0 that supports OIF 100G
4 DWDM LH modules. In Version 2.2 CDB is specified to use the same block of registers for
5 multiple new applications. It presents to the host the same set of registers interface for
6 different applications and meantime it relieves the module from the burden of maintaining the
7 growing number of registers.

8
9 With CDB, CFP MSA MIS 2.2 shall support the following new functions for CFP/CFP2
10 /CFP4 modules.

- 11 - Write flow control mechanism needed for new registers (refer to 6.2.3)
- 12 - Multiword read with data coherency (6.2.5.3)
- 13 - Bulk data transfer from host to module or from module to host (6.2.9)
- 14 - Module firmware upgrade capability (6.2.6)
- 15 - New applications that require extensive number of registers
- 16 - New applications that require complex procedures

17 **4.12.1 CDB Structure**

18 CFP MSA MIS 2.2 allocates 1024 registers on A000h page as the CDB starting at AC00h
19 and ending at AFFFh. *Figure 14 Common Data Block Structure* illustrates that CDB has
20 two realizations, the CDB Command Frame (Panel A) and the CDB Reply Frame (Panel B).
21 When host requests module to perform a task it writes a CDB Command Frame to the
22 module. When host requests the status of last command execution with optional data
23 return it reads a CDB Reply Frame from the module.

1 **4.12.1.1 CDB Command Frame**

2 **4.12.1.1.1 CDB Command Register**

3 In a CDB Command Frame AC00h contains the CDB Command which is required to make
4 a valid command frame. Host shall write to this register as the last register to write in a
5 Command Frame. Writing to this register “triggers” the execution of the CDB Command by
6 module.

7 **4.12.1.1.2 CDB Payload Size Register**

8 CDB Payload Size register is at AC01h containing the total number of registers of CDB
9 Payload starting at AC02h. The minimum value of CDB Payload Size is 1 and the
10 maximum value is 1020. Zero value indicates that the payload is not present. Payload
11 Size register shall be always present regardless of its value.

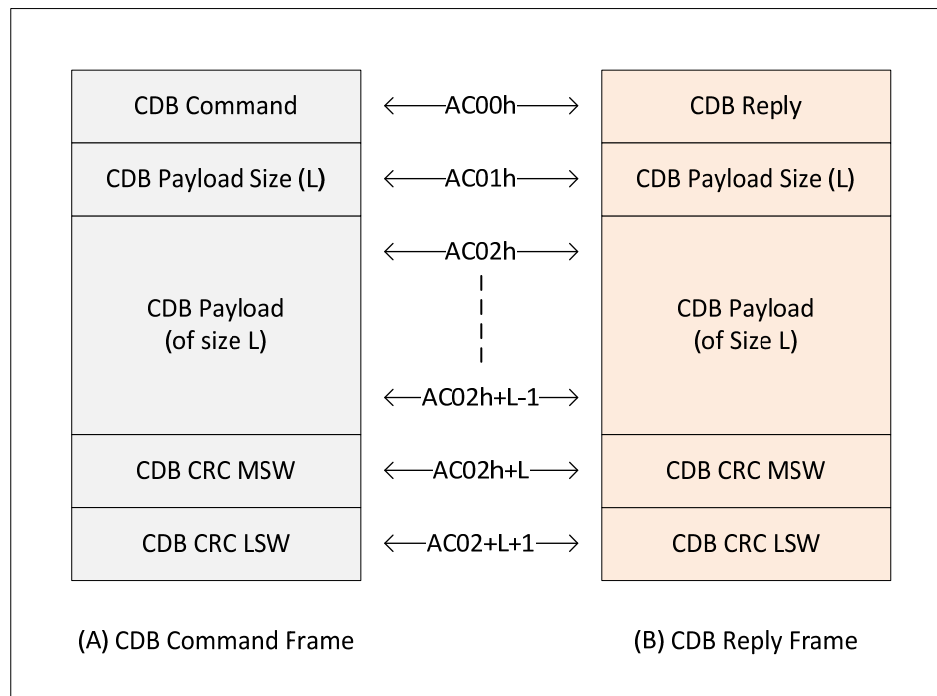
12 **4.12.1.1.3 CDB Payload Registers**

13 CDB Payload occupies a block of registers starting at AC02h and ending at AC02h+L-1,
14 where L is the CDB Payload Size. CDB Payload contains parameters or other type of data
15 associated with a CDB Command. CDB Payload is only present when CDB Command has
16 data to pass to the module.

17 **4.12.1.1.4 CDB CRC Registers**

18 The CRC registers are allocated right after the end of CDB Payload with MSW at smaller
19 address. CRC is a 32-bit value with the same algorithm defined for B000h page Bulk Data
20 Block.

21 *Figure 14 Common Data Block Structure*



1 **4.12.1.2 CDB Reply Frame**

2 In a CDB Reply Frame AC00h contains the CDB Reply required to make a valid reply
3 frame. Host shall read this register first to determine where it needs to read further for the
4 rest of the Reply Frame. When preparing a Reply Frame a module shall write to this
5 register with “Command in Progress” in the field of CDB Status indicating the rest of the
6 Reply Frame may not be ready for host to read. The rest of a CDB Reply Frame is similar
7 to that of a CDB Command Frame.

8 **4.12.2 CDB Implementation**

9 Table 18 CDB Implementation specifies the general form of CDB Command Frame and
10 CDB Reply Frame with implementation details.

11 Table 18 CDB Implementation

Hex Addr	Size	Access Type	Bit	Register Name	Description	Initial Value	
AC00	1			CDB Command or CDB Reply	This is a shared address between CDB Command register and CDB Reply register, defined respectively with the following cases.	0000h	
		CDB Command Frame Case					
		WO	15~12	Reserved			0
		WO	11~8	CDB CMD Class	A 4-bit unsigned value coding 16 CDB Command Classes. 0h: System level operations 1h: General CFP register operations 2h~Dh: Reserved Eh~Fh: Vendor specific command class code.		0
		WO	7~0	CDB CMD Code	An 8-bit value coding 256 CDB commands for each CDB CMD Class. See separate section for details.		0
		CDB Reply Frame Case					
		RO	15~10	Reserved			0
		RO	9~8	CDB Status	A 2-bit value representing CDB status. <u>Note this field shall be synchronized with A004h.3~2 therefore CDB and A004h can be operated one and only one at a time.</u> 00b: CDB Idle, 01b: CDB Command completed successfully, 10b: CDB Command in progress, 11b: CDB Command failed.		0
			7~0	CDB Message	An 8-bit value coding CDB Message related to each CDB Status. If CDB Status = CDB Idle, then 00h: Reserved, 01h: Ready to accept host command, 02h~7Fh: Reserved by MSA, 80h~FFh: Allocated for vendor use. If CDB Status = Command in Progress, then 00h: Reserved, 01h: Command is captured but not processed, 02h: Command checking is in progress, CDB Reply CRC is not valid. 03h: Command execution is in progress, 04h~7Fh: Reserved by MSA, 80h~FFh: Allocated for vendor use. If CDB Status = CDB Command Completed Successfully, then 00h: Reserved, 01h: No specific message, one more host read gets CDB to idle		0

Hex Addr	Size	Access Type	Bit	Register Name	Description	Initial Value
					status, 02h~3F: Reserved by MSA, 40h~7Fh: For individual CDB Command or task progress report , 80h~FFh: Allocated for vendor use. If CDB Status = Command Failed, then 00h: Reserved, 01h: CDB Data Length error, L > 1020, 02h: Unknown command, 03h: Command checking error without detail, 04h: Command checking time out, indicating the module command checking time is longer than 150 ms, 05h: CRC error, 06h: Password error, 07h~0Fh: Reserved for CDB command checking error, 10h: Command execution error without detail, 11h~3Fh: Reserved by MSA 40h~7Fh: For individual CDB command or task error, 80h~FFh: Allocated for vendor use.	
AC01	1			CDB Payload Size	Contain the length of CDB Payload.	0000h
		RO	15~10	Reserved		0
		RW	9~0	Payload Size	A 10-bit unsigned integer L, 0 = < L <= 1020.	0
AC02	L	RW	15~0	CDB Payload	Data block of size L with either a CDB Command or Reply.	N/A
AC02+ L	2	RW	15~0	CDB CRC	32-bit CRC for the registers AC00h, AC01h, and CDB Payload. Most significant word at smaller address.	0000h

1 **4.12.2.1 Write Flow Control on CDB**

2 Write flow control (WFC) applies to CDB for secured communication between host and
3 module. The field of CDB Status of CDB Reply Register AC00h.9~8 shall be used by host
4 to realize the WFC. Table 19 Write Flow Control to CDB Registers presents the details of
5 operation.

6 Table 19 Write Flow Control to CDB Registers

CDB Status =	CDB Message Value =	Host Write to CDB	Host Read from CDB
CDB Idle	Any value	Okay.	Allowed.
CDB Command Completed Successfully	Any value	No effect.	Allowed, one CDB Reply read shall bring to CDB Idle
CDB Command in Progress	01h, 02h, 03h	No effect.	Allowed.
CDB Command Failed	Any value	No effect.	Allowed, one CDB Reply read shall bring to CDB Idle.

7 **4.12.2.2 CDB Message**

8 In addition to write flow control, a CDB Message field is specified as part of CDB Reply.
9 Host shall use this field to obtain additional information from module regarding command
10 checking or command execution.

11 **4.12.2.3 Password Control**

12 Some CDB commands require password control to write if password option is activated.

1 **4.12.2.4 Interaction with Register A004h**

2 The write accesses to CDB Command register (AC00h), A004h, and A000h~A001h are
3 mutually exclusive by synchronizing A004h.3~2 with AC00h.9~8. Write to other CDB
4 registers shall be always allowed regardless the state of A004h.3~2. Note except these two
5 bits A004h and AC00h shall not have any other bit field overlap.

6 **4.12.2.5 Interrupt to Host**

7 In addition to host reading CDB Reply register, module shall trigger GLB_ALRMn upon
8 CDB Status change from CDB Idle to either Command Completed Successfully or
9 Command Failed. Global Alarm Summary A018h.4 is allocated to reflect the CDB Status
10 change. Note that Command In Progress and CDB Idle shall not trigger GLB_ALRMn.

11
12 CDB Interrupt to host is optional. It can be turned on and off by CDB Commands. Refer to
13 Table 21 CDB Command Table for details. Upon power up the CDB interrupt to host is
14 turned off. CDB Interrupt to host shall be cleared when CDB returns to CDB Idle status due
15 to host reading CDB Reply register.

16 **4.12.2.6 CRC Option**

17 CRC option can be turned on and off by CDB Commands. Refer Table 21 CDB Command
18 Table for details. When CRC option is chosen it applies to all the registers including
19 AC00h, AC01h, and the whole CDB Data Block.

20 **4.12.2.7 Initialization**

21 On power up CDB function shall be initialized to CDB IDLE state with CRC and Global
22 Alarm disabled.

23 **4.12.3 CDB Command Execution**

24 **4.12.3.1 Host to Write a CDB Command Frame**

25 To send a CDB Command to module host shall write CDB Command register AC00h at last
26 and shall use this write as the “trigger” for module to execute the CDB Command. Host
27 shall be able to write all other registers in a CDB Command Frame in any order. A module
28 shall interpret other register contents per the CDB command once it detects the “trigger”.

29 **4.12.3.2 Host to Read a CDB Reply Frame**

30 To receive a CDB Reply Frame host shall read CDB Reply register (AC00h) first and then
31 shall proceed with reading CDB Payload Size register and CDB Payload, and then CRC if
32 CRC is enabled.

33 **4.12.3.2.1 Command in Progress (CIP)**

34 CIP is an important status for module to present to host. Once a command is received
35 CDB state machine shall immediately update CDB Reply register with this status and
36 associated CDB Message. During this state, module shall not be able to determine its
37 CRC content if CRC option is enabled. Host shall not make attempt to read CRC registers.

1 **4.12.3.2.2 Command Completed Successfully (CCS)**

2 CCS is asserted by a module with proper CDB Message for additional information. If CDB
3 Payload is attached as a part of the CDB Command execution host shall read the CDB
4 Payload per CDB Payload Size register. If CRC is enabled host shall read CRC registers
5 as well to determine whether a CDB Reply Frame is valid.

6 **4.12.3.2.3 Command Failed (CF)**

7 CF is a CDB State indicating a failed execution of a CDB Command. The CDB Message
8 shall be used by a module to provide additional cause of failure.

9 **4.12.3.2.4 Idle State**

10 A host-read shall bring CDB Status to Idle State from CCS or CF States. If CRC is enabled
11 Module shall keep CRC and Payload Size unchanged from previous state (either CCS or
12 CF) to maintain consistency of CRC with CCS or CF Status.

13 **4.12.3.3 CDB Command Execution Process**

14 CDB Command execution is an interactive process between host, CDB State Machine, and
15 module processor. *Figure 15 CDB Command Execution Flowchart* illustrates the process
16 of host execution. Note that CDB Reply is used extensively in CDB Command execution
17 process.

18 **4.12.4 CDB Commands and Applications**

19 Host shall deploy one or more CDB Commands to request a task performed by a module.
20 When a task consists of multiple commands CDB Message shall be employed to report the
21 progress of a task. A multi-command task shall be described by defining some specific
22 CDB Commands and a flowchart or a section of pseudo-code that defines the procedure by
23 which multiple CDB Commands are called.

24
25 CDB Commands are listed in *Table 21 CDB Command Table* where all the acronyms used
26 are listed in *Table 20 Acronyms used in CDB Command Table*.

27 **4.12.4.1 Single Command Task**

28 A single command application shall be implemented with one Command Frame write and
29 multiple Reply Frame reads. Examples of this type of CDB Command include Password
30 Confirm, Save New Password, Bulk Data Read, etc. Their usage is self-explanatory in the
31 Command Table.

32 **4.12.4.2 Multiple Command Task**

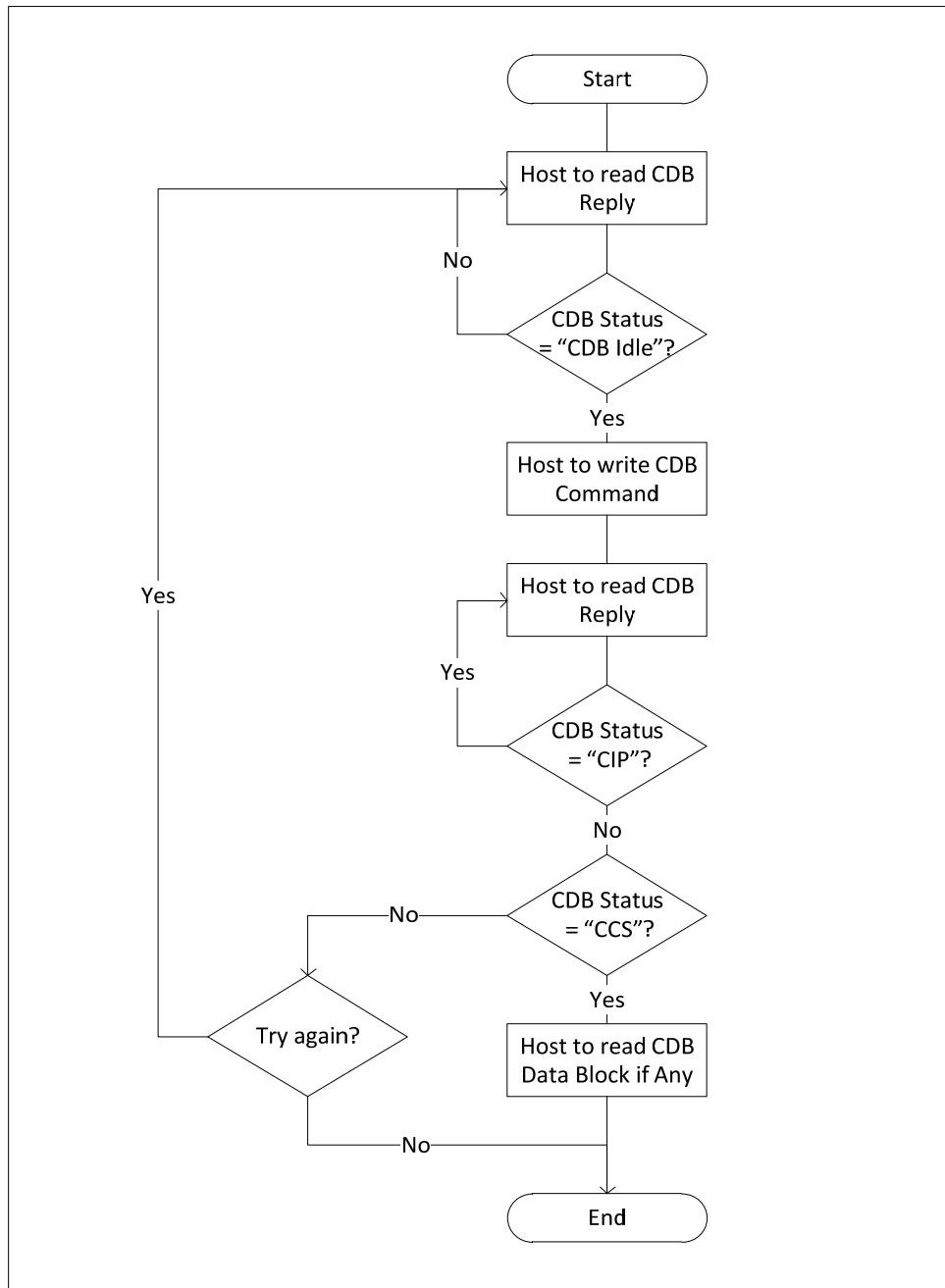
33 A multiple command application shall be implemented with multiple Command Frame
34 writes and multiple Reply Frame reads, executed in an order designed pertinent to a
35 specific application. Examples of this type of applications include Firmware Field Upgrade,
36 Module Authentication, etc.

1 **4.12.4.2.1 Firmware Upgrade**

2 Firmware upgrade procedure can refer Figure 20 Software Upgrade State Machine and
3 Figure 21 Software Upgrade Sequence with exception that copy commands are not
4 supported.

1

Figure 15 CDB Command Execution Flowchart



2

3 **4.12.5 CDB Command Table**

4

Table 20 Acronyms used in CDB Command Table

Acronym	Description
PW	Password
PS	Payload Size

Acronym	Description
PLx	Payload xth entry
Y	Yes or OK
N	No or None
CMD ID	Value in register AC00 in a CDB Command Frame. It is also used as a Command ID.

1

Table 21 CDB Command Table

CMD Class	CMD Code	CMD ID	Command Name	PS	PW	Description
CDB Command Class 0 – System Operation						
00h	00h	0000h	Reserved			
00h	01h	0001h	Enter Password	2	N	Alternative method of entering password with a CDB Reply message to confirm the acceptance of password entered with the payload of this command. Note the use of this command is completely independent of A000h~A001h. Payload: PS = 2; PL0 = Most significant word of password, PL1 = Least significant word of password, Expected CMD specific Reply: 0140h: Password ok, 0340h: Password failure, 0341h: Other errors.
00h	02h	0002h	Save New Password	2	Y	Alternative method of entering and saving a new password with a CDB Reply message to confirm the acceptance of a new password entered with the payload of this command. Note the use of this command is completely independent of A002h~A003h. The saving action of this command is exclusive with the use of A004h. Payload : PS = 2, PL0 = Most significant word of a new password PL1 = Least significant word of a new Pass word. Expected CMD specific Reply: 0140h: New password saved, 0340h: New password save failed, 0341h: Other errors.
00h	03h	0003h	Enable Password	0	N	Enable the optional password protection for user NVR.
00h	04h	0004h	Disable Password	0	Y	Disable the optional password protection for user NVR.
00h	05h	0005h	Enable CDB CRC	0	N	Enable the optional CRC for CDB. This Command is volatile after power cycle. No CRC checking shall be executed on this command itself but CRC shall take effect starting from next CDB Command/Reply Frame if this command is executed successfully.
00h	06h	0006h	Disable CDB CRC	0	N	Disable the optional CRC for CDB. CRC checking shall be performed for this command itself but CRC shall be inactive starting from next CDB Command/Reply Frame.
00h	07h	0007h	Enable CDB Global Alarm Interrupt	0	N	Enable CDB Interrupt to host option. This Command is volatile.
00h	08h	0008h	Disable CDB Global Alarm Interrupt	0	N	Disable CDB Interrupt to host option.
00h	11h	0011h	Start Firmware Download	0	Y	Request the module to receive new firmware image with forth coming Bulk Data Write command. (Simulate B04Dh.15~12:1) Expected CMD specific Reply:

CMD Class	CMD Code	CMD ID	Command Name	PS	PW	Description
						0140h: Ok to receive FW image, 0340h: Not enough NVM space, 0341h: Other errors.
00h	12h	0012h	Complete Firmware Download	0	Y	Request module FW image download is finished. (Simulate B04Dh.15~12: 2) Expected CMD specific Reply: 0140h: Full image has been received and image is good. 0340h: Image is incomplete, 0341h: Image is complete but CRC error,
00h	13h	0013h	Run Image A	0	Y	Request module to run Image A. (Simulate Bo4Dh.1~12: 3) Expected CMD Specific CDB Reply: 0140h: Command has been executed; 0340h: Image A is not valid, execution aborted. 0341h: other errors.
00h	14h	0014h	Run Image B	0	Y	Request module to run Image B. (Simulate B04Dh.15~12:4) Expected CMD Specific CDB Reply: 0140h: Command has been executed; 0340h: Image B is not valid, execution aborted. 0341h: other errors.
00h	15h	0015h	Abort Image Download	0	Y	Abort Image Download. (Simulate B04Dh.15~12:5). Expected CMD Specific CDB Reply: 0140h: Image download aborted. 0340h: Command error.
00h	16h	0016h	Copy Image A to B	0	Y	Request module to copy Image A to B (Optional) Expected CMD specific CDB Reply: 0140h: Command has been executed; 0340h: Not enough memory, execution aborted. 0341h: Copying is not successful, 0342h: Other errors.
00h	17h	0017h	Copy Image B to A	0	Y	Request module to copy Image B to A (Optional) Expected CMD specific CDB Reply: 0140h: Command has been executed; 0340h: Not enough memory, execution aborted. 0341h: Copying is not successful, 0342h: Other errors.
00h	18h	0018h	Commit Image A	0	Y	Request module to commit to Image A. Expected CMD Specific CDB Reply: 0140h: Committed to Image A. 0340h: Command error.
00h	19h	0019h	Commit Image B	0	Y	Request module to commit to Image B. Expected CMD Specific CDB Reply: 0140h: Committed to Image B, 0340h: Command error.
00h	20h	0020h	Get Software Upgrade Status	0	Y	Get Firmware Upgrade Status. Host issues this command to get CDB Reply with a CDB Reply payload of size 1. Expected Reply: 0140h: Status read successful 0340h: Status read error Payload PL0 takes the identical definition as register B051h. Note the following fields of B051h are not included: B051h.15~14.
00h	21h	0021h	Download Image Block	L	Y	Host to download a block of software image to module.

CMD Class	CMD Code	CMD ID	Command Name	PS	PW	Description
						PL0 = Image Block Number (max 65535). The rest of CDB Payload is the software image block which can contain additional descriptor per vendor design. Note total image size is limited to 1019 x 65536 = 66.78 MB. Expected CMD specific Reply: 0140h: Image download successful. PL0 = Block number just downloaded. 0340h: CRC image block CRC error. PL0 = Block number just downloaded. CFP MSA MIS shall not specify a specific file format leaving it as vendor specific. It is recommended to use file extensions such as .asc or .bin to signify ASCII or binary coded file. Note that the 16-bit payload data shall use big endian.
CDB Command Class 1 – Register Access						
1h	01h	0101h	Multiple Register Read	2	Y	Host to L registers with one command. PS = total size of payload. PL0=initial address, PL1= number of register to read counting from initial address.
1h	02h	0102h	Multiple Register Write	L+2	Y	Host to write L registers. PL0=Initial address, PL1=number of register to write, PL2 and on: register content.
1h	03h	0103h	Bulk Data Read	1	Y	Host to read L registers from module. PL0=Bulk data batch number or a descriptor specified by vendor.
1h	04h	0104h	Bulk Data Write	L+1	Y	Host to write L registers to module. PL0=Bulk data batch number or a descriptor specified by vendor.
1h	05h	0105h	Selected Register Read	L	Y	Host to read a set of L registers to be read at specified addresses. PL0 ~ PL(N-1) contains register addresses of the registers to be read.
1h	06h	0106h	Selected Register Write	2L	Y	Host to write a set of L registers to module at specified addresses. PL0~PL(2N-2) contain register address and content pair with address at odd PL number and content at even PL number sequentially.

1 **4.13 Multi-link Gearbox (MLG) Support (optional)**

2 Optionally CFP module may support MLG implementation. This paragraph is based on the
 3 document Multi-link Gearbox Implementation Agreement 1.0 which defines an in-band
 4 coding that allows independent 10GBASE-R signals to transit 10:4 gearboxes
 5 implementing a 100GBASE-R PMA function.

6
 7 Registers A080h~A0FFh define the MLG1.0 generic management interface, MLG1.0 mux
 8 management interface and MLG1.0's demux management interface. For further
 9 information, please refer to document IA OIF-MLG-01.0.

1 **5 CFP REGISTER DESCRIPTION**

2 The detailed CFP register descriptions are listed in Table 23 CFP NVR 1 through Table 32
3 Host Lane VR 1. Each table has 7 columns with the following definition.

4 Table 22 Table Column Description

Column	Description
Hex Addr.	MDIO address in hex number format For multi-register Data Field, it represents the lowest address of the field.
Size	Number of CFP registers in a given Data Field.
Access Type	RO = Read Only; RW = Read and Write; LH = Latched High ¹ ; COR = Clear On Read ² ; SC = Self Clearing.
Bit	This field indicates the range of bits used for a particular field in the format of m~n, where m is starting high bit and n is the ending low bit.
Register Name	This is the name of a register. Full English words are used for maximum clarity. Acronym use is minimized.
Bit Field Name	This is the name of a specific bit data field. Full English words are used for maximum clarity. Acronym use is minimized. Normally in non-bold face.
Description	Details of each Register field and/or behavior of a bit.
LSB Unit	This column contains the unit of a physical quantity represented by the least significant bit of the register field.
Init Value	The initial value that each volatile registers takes after the module boots up or is reset.
1. Latch registers are set on the rising edge of the associated status signals. 2. Clear-on-Read bits are cleared to 0 upon Host-read, independent of the condition of the (unlatched) status signal.	

5 **5.1 CFP NVR 1 Table: Base ID Registers**

6 The 8000h page Base ID Registers defined in Table 23 CFP NVR 1 are designed to
7 support CFP modules. Note that in Version 2.2 of this document, CFP NVR 1 Table also
8 supports MSA 100GLH modules.

9
10 In CFP MSA MIS Version 2.2 to save space and reduce errors, sections 5.1.1 through
11 5.1.56 have been merged with the descriptions of corresponding register in Table 23 CFP
12 NVR 1.

13 Table 23 CFP NVR 1

CFP NVR 1						
Hex Addr	Size	Access Type	Bit	Register Name Bit Field Name	Description	LSB Unit
Base ID Information						
8000 2.6	1	RO	7-0	Module Identifier	00h: Unknown or unspecified, 01h: GBIC, * 02h: Module/connector soldered to motherboard,* 03h: SFP, * 04h: 300 pin XSBI, * 05h: XENPAK, * 06h: XFP,* 07h: XFF,* 08h: XFP-E,*	N/A

CFP NVR 1																																									
Hex Addr	Size	Access Type	Bit	Register Name Bit Field Name	Description	LSB Unit																																			
					<p>09h: XPAK,* 0Ah: X2,* 0Bh: DWDM-SFP,* 0Ch: QSFP,* 0Dh: QSFP+,* 0Eh: CFP, 0Fh: Reserved, (changed from CXP) 10h: 168-pin 5"x7" MSA-100GLH, 11h: CFP2, 12h: CFP4, 13h: 168-pin 4"x5" MSA-100GLH, 14h: CFP2-ACO, 15h: CFP8, 16h: CDFP (Style 3) (According to SFF8024), 17h: microQSFP (According to SFF8024), 18h: QSFP-DD (According to SFF8024), 19h: CFP2-DCO, 1Ah ~ FFh : Reserved.</p> <p>Note values with "*" are copied from SFF8436, 8636, and 8024 for information only. CFP MSA MIS does not assign or control the IDs for these modules. Starting from value "0Eh", ID values overlap with those assigned by SFF documents. Based on the consultation with SFF 8024 Chairman it is deemed this overlap should not be an issue because SFF modules does not use MDIO as the management interface, they use I2C. Software which bases action on Identifier Values needs to recognize that synonyms exist and qualify the values by the management protocol.</p>																																				
8001	1	RO		Extended Identifier		N/A																																			
			7-6	Power Class	<p>This field defines Power Classes for CFP, CFP2, and CFP4, used together with hardware interlocking pins. Extended power classes are defined in 807Eh. Reference 5 CFP Hardware Spec for additional details. For CFP2 modules if power class > 3, see Section 4.1.1.2.1 for recommended power up sequence.</p> <p>The above definition is not applicable to MSA-100GLH modules. See 8182h for more.</p> <table border="1"> <thead> <tr> <th>Bits 7-6 Value</th> <th>Power Class</th> <th>CFP</th> <th>CFP2</th> <th>CFP4</th> <th>CFP8</th> <th>CFP2-DCO</th> </tr> </thead> <tbody> <tr> <td>00b</td> <td>1</td> <td>≤ 8 W</td> <td>≤ 3 W</td> <td>≤ 1.5 W</td> <td>≤ 4 W</td> <td>≤ 9 W</td> </tr> <tr> <td>01b</td> <td>2</td> <td>≤ 16 W</td> <td>≤ 6 W</td> <td>≤ 3 W</td> <td>≤ 8 W</td> <td>≤ 12 W</td> </tr> <tr> <td>10b</td> <td>3</td> <td>≤ 24 W</td> <td>≤ 9 W</td> <td>≤ 4.5 W</td> <td>≤ 12 W</td> <td>≤ 15 W</td> </tr> <tr> <td>11b</td> <td>>3</td> <td>> 24 W</td> <td>> 9 W</td> <td>> 4.5 W</td> <td>> 12 W</td> <td>> 15 W</td> </tr> </tbody> </table>	Bits 7-6 Value	Power Class	CFP	CFP2	CFP4	CFP8	CFP2-DCO	00b	1	≤ 8 W	≤ 3 W	≤ 1.5 W	≤ 4 W	≤ 9 W	01b	2	≤ 16 W	≤ 6 W	≤ 3 W	≤ 8 W	≤ 12 W	10b	3	≤ 24 W	≤ 9 W	≤ 4.5 W	≤ 12 W	≤ 15 W	11b	>3	> 24 W	> 9 W	> 4.5 W	> 12 W	> 15 W	N/A
Bits 7-6 Value	Power Class	CFP	CFP2	CFP4	CFP8	CFP2-DCO																																			
00b	1	≤ 8 W	≤ 3 W	≤ 1.5 W	≤ 4 W	≤ 9 W																																			
01b	2	≤ 16 W	≤ 6 W	≤ 3 W	≤ 8 W	≤ 12 W																																			
10b	3	≤ 24 W	≤ 9 W	≤ 4.5 W	≤ 12 W	≤ 15 W																																			
11b	>3	> 24 W	> 9 W	> 4.5 W	> 12 W	> 15 W																																			
			5-4	Lane Ratio Type	<p>00b: Network lane : Host lane = 1 : n (Mux type), 01b: Network lane : Host lane = n : m (Gear Box type), 10b: Network lane : Host lane = n : n (Parallel type), 11b: Reserved.</p>	N/A																																			
			3-1	WDM Type	<p>A 3-bit field identifying any optical grid spacing used by CFP module</p> <p>000b: Non-WDM, 001b: CWDM, 010b: LANWDM, 011b: DWDM on 200G-grid, 100b: DWDM on 100G-grid, 101b: DWDM on 50G-grid, 110b: DWDM on 25G-grid, 111b: Other type WDM.</p>	N/A																																			
			0	CLEI Presence	<p>0: No CLEI code present, 1: CLEI code present.</p>	N/A																																			
8002	1	RO	7-0	Connector Type Code	<p>00h: Undefined, 01h : SC, 07h : LC, 08h : MT-RJ,</p>	N/A																																			

CFP NVR 1						
Hex Addr	Size	Access Type	Bit	Register Name Bit Field Name	Description	LSB Unit
					09h : MPO, 0Dh : Angled LC, Other Codes : Reserved.	
8003 (2.6)	1	RO	7-0	Ethernet Application Code	Any CFP module which supports an application which includes Ethernet and additional applications such as SONET/SDH, OTN, Fibre Channel or other, shall record the value in Ethernet Application Code as follows. 00h: Undefined type, 01h: 100GE SMF 10km, 100GE-LR4, 02h: 100GE SMF 40km, 100GE-ER4, 03h: 100GE MMF 100GBASE-SR10, 04h: 100GE MMF 100GBASE-SR4, 05h: 40GE SMF 10km, 40GE-LR4, 06h: 40GE SMF 40km, 40G-ER4, 07h: 40GE MMF 40GBASE-SR4, 08h: 40GE SMF 80km, 40GE-ZR4 (Non-standard), 09h: 100GE SMF 80km, 100GE-ZR4 (Non-standard), 0Ah~0Ch: Reserved, 0Dh: 40GE-CR4 Copper, 0Eh: 100GE-CR10 Copper, 0Fh: 40G BASE-FR, 10h: 100GE SMF 80km, 100GE-ZR1-Coherent, 11h: 100GE DWDM, 100GE-DWDM-Coherent, 12h: 100GE-CR4 Copper, 13h: 400GE MMF 400GBASE-SR16, 14h: 400GE SMF 500m, 400GE-DR4 (for future use), 15h: 400GE SMF 2km, 400GE-FR8, 16h: 400GE SMF 10km, 400GE-LR8, 17h: 200GE MMF 200GEBASE-SR8, 18h: 200GE SMF 200GEBASE-DR8, 19h: Reserved 1Ah: 200GE MMF 200GEBASE-SR4, 1Bh: 200GE SMF 200GEBASE-DR4, 1Ch: 200GE SMF 200GEBASE-LR4, 1Dh~FFh: Reserved.	N/A
8004	1	RO	7-0	Fiber Channel Application Code	Any CFP module which supports an application which includes Fibre channel and additional applications such as SONET/SDH, OTN, Ethernet or other, shall record the value in Fibre channel Application Code as follows. 00h: Undefined type. 01h~FFh: Reserved.	N/A
8005	1	RO	7-0	Copper Link Application Code	In this CFP register, the CFP module shall identify what if any non-Ethernet Copper based PMD application which is supported. At the time of the writing, this application is undefined. 00h: Undefined type. 01h~FFh: Reserved.	N/A
8006	1	RO	7-0	SONET/SDH Application Code	Any CFP module which supports an application which includes SONET/SDH and additional applications such as Ethernet, OTN, Fibre channel or other, shall record the value in SONET/SDH Application Code as follows. 00h: Undefined type, 01h: VSR2000-3R2, 02h: VSR2000-3R3, 03h: VSR2000-3R5, 04h ~ 0FFh: Reserved.	N/A
8007 (2.6)	1	RO		OTN Application Code	Any CFP module which supports an application which includes OTN and additional applications such as SONET/SDH, Ethernet, Fibre channel or other, shall record the value in OTN Application Code as follows. 00h: Undefined type, 01h: VSR2000-3R2F,	N/A

CFP NVR 1						
Hex Addr	Size	Access Type	Bit	Register Name Bit Field Name	Description	LSB Unit
					02h: VSR2000-3R3F, 03h: VSR2000-3R5F, 04h: VSR2000-3L2F, 05h: VSR2000-3L3F, 06h: VSR2000-3L5F, 07h: C4S1-2D1 (OTL3.4), 08h: 4I1-9D1F (OTL4.4), 09h: P1I1-3D1 (NRZ 40G 1300nm, 10km), 0Ah: 4L1-9C1F (ITU OTU-4,40km,OTL4.4) 0Bh: C4S1-2D1 of G.695, 0Ch: 4L1-9D1F (ITU OTU-4, 40km, OTL4.4), 0Dh: ~ FFh: Reserved.	
8008	1	RO		Additional Capable Rates Supported	Additional application rates module supporting.	N/A
			7	Reserved		0
			6	OTU4 with Enhanced FEC	0: Not supported, 1: Supported.	N/A
			5	OTU3 with Enhanced FEC	0: Not supported, 1: Supported.	N/A
			4	111.8 Gbps	0: Not supported, 1: Supported.	N/A
			3	103.125 Gbps	0: Not supported, 1: Supported.	N/A
			2	41.25 Gbps	0: Not supported, 1: Supported.	N/A
			1	43 Gbps	0: Not supported, 1: Supported.	N/A
0	39.8 Gbps	0: Not supported, 1: Supported.	N/A			
8009	1	RO		Number of Lanes Supported	Number of Network Lane supported and number of Host Lane supported in this particular module.	N/A
			7~4	Number of Network Lanes	The value of 0 represents 16 network lanes supported. The values of 1 through 15 represent the actual number of network lanes supported.	N/A
			3~0	Number of Host Lanes	The value of 0 represents 16 host lanes supported. The values of 1 through 15 represent the actual number of host lanes supported.	N/A
800A (2.6)	1	RO		Media Properties		N/A
			7~6	Media Type	00b: SMF, 01b: MMF (OM3, OM4), 10b: Reserved, 11b: Copper.	N/A
			5	Directionality	0: Normal, 1: BiDi.	N/A
			4	Optical Multiplexing and De-multiplexing	0: Without optical MUX/DEMUX, 1: With optical MUX/DEMUX.	N/A
3~0	Active Fiber per Connector	A 4-bit unsigned number representing number of active fibers for TX and RX per connector. For example, a CFP module supporting the 100GBASE-SR10 application using an MPO connector shall report 10 in Active Fiber per Connector. 0: 16 TX Lanes and 16 RX Lanes, 1: 1 TX Lane and 1 RX Lane, 4: 4 TX Lanes and 4 RX Lanes, 8: 8 TX Lanes and 8 RX Lanes, 10: 10 TX Lanes and 10 RX Lanes, 12: 12 TX Lanes and 12 RX Lanes.	N/A			
800B (2.6)	1	RO	7~0	Maximum Network Lane Bit Rate	8-bit value x 0.2 Gbps. It shall identify maximum data rate supported per network lane. For more complex modulation schemes than OOK (on/off keying), the value reported shall be the bit rate and not the baud rate. The value shall be based upon units of 0.2 Gbps. A value of 0h is considered undefined. The above description is not applicable to MSA-100GLH/CFP8 modules. See 8184h.	0.2 Gbps
800C	1	RO	7~0	Maximum Host Lane Bit Rate	8-bit value x 0.2 Gbps. It shall identify maximum data rate supported per host lane. The value shall be based upon units of 0.2 Gbps. The above description is not applicable to MSA-100GLH/CFP8 modules. See 81CAh.	0.2 Gbps

CFP NVR 1						
Hex Addr	Size	Access Type	Bit	Register Name Bit Field Name	Description	LSB Unit
800D	1	RO	7~0	Maximum Single Mode Optical Fiber Length	8-bit value x 1 km for single mode fiber length. For applications which operate over compensated transmission systems, it is suggested to enter an undefined value. A value of 0h is considered undefined.	1 km
800E	1	RO	7~0	Maximum Multi-Mode Optical Fiber Length	8-bit value x 10 m for multi-mode fiber length. It shall identify the specified maximum reach supported by the application for transmission over OM3 multi-mode fiber. The value shall be based upon units of 10 m. A value of 0h is considered undefined. [2.2] Use register 8181h for OM4 Maximum MMF Length	10 m
800F	1	RO	7~0	Maximum Copper Cable Length	8-bit value x 1 m for copper cable length. A value of 0h is considered undefined.	1 m
8010	1	RO		Transmitter Spectral Characteristics 1		N/A
			7~5	Reserved		0
			4~0	Number of Active Transmit Fibers	A 4-bit value identifying the number of active optical fiber outputs supported. 0: 0 active transmit fiber (receive only), copper or undefined. 1~31: actual numbers of active transmit fiber.	N/A
8011	1	RO		Transmitter Spectral Characteristics 2		N/A
			7~5	Reserved		0
			4~0	Number of Wavelengths per active Transmit Fiber	A 4-bit value representing the number of wavelengths per active transmitting fiber. 0: An 850 nm MM source or undefined, 1~31: Actual number of wavelength per transmit fiber. For example, the value for 100GBASE-LR4 is 4.	N/A
8012	2	RO	7~0	Minimum Wavelength per Active Fiber	16-bit unsigned value x 25 pm. (MSB is at 8012h, LSB is at 8013h). A value of 0 indicates a multimode source or undefined.	25 pm
8014	2	RO	7~0	Maximum Wavelength per Active Fiber	16-bit unsigned value x 25 pm. (MSB is at 8014h, LSB is at 8015h). A value of 0 indicates a multimode source or undefined.	25 pm
8016	2	RO	7~0	Maximum per Lane Optical Width	Guaranteed range of laser wavelength. 16-bit unsigned value x 1 pm. MSB is at 8016h, LSB is at 8017h. For an example, the value for 100GBASE-LR4 with a maximum specified optical wavelength width of 2.1nm for network lane L ₃ would be 834h. A value of 0 indicates a multimode source or undefined.	1 pm
8018	1	RO		Device Technology 1		N/A
			7~4	Laser Source Technology	A 4-bit value coding laser (or transmitter) technology used in a module. 0000b: VCSEL, 0001b: FP, 0010b: DFB, 0011b: DBR, 0100b: Copper, 0101b: External Cavity, 0110b ~ 1111b: Reserved.	N/A
			3~0	Transmitter modulation technology	A 4-bit value coding modulator technology used in a module. 0000b: DML, 0001b: EML, 0010b: InP-MZ, 0011b: LN-MZ 0100b: Copper, 0101b ~ 1111b: Reserved.	N/A
8019	1	RO		Device Technology 2		N/A
			7	Wavelength control	0: No wavelength control, 1: Active wavelength control.	N/A
			6	Cooled transmitter	0: Un-cooled transmitter device, 1: Cooled or Semi-cooled transmitter.	N/A
			5	Tunability	0: Transmitter not Tunable, 1: Transmitter Tunable.	N/A

CFP NVR 1						
Hex Addr	Size	Access Type	Bit	Register Name Bit Field Name	Description	LSB Unit
			4	VOA implemented	0: Detector side VOA not implement, 1: Detector side VOA implement.	N/A
			3~2	Detector Type	00b: Undefined, (Use for Coherent type) 01b: PIN detector, 10b: APD detector, 11b: Optical Amplifier + PIN detector.	N/A
			1	CDR with EDC	0: CDR without EDC, 1: CDR with EDC.	N/A
			0	Reserved		0
801A (2.6)	1	RO		Signal Code		N/A
			7~6	Modulation	00b: Undefined, 01b: NRZ, 10b: RZ, 11b: Reserved.	N/A
			5~2	Signal coding	0000b: Non-PSK, 0001b: ODB, 0010b: DPSK, 0011b: QPSK, 0100b: DQPSK, 0101b: DPQPSK, 0110b: PAM4, 0111b~1010b: Reserved, 1011b: 16QAM, 1100b: 64QAM, 1101b: 256QAM, 1110~1111b: Reserved.	N/A
			1~0	Reserved		0
801B	1	RO	7~0	Maximum Total Optical Output Power per Connector	Unsigned 8 bit value * 100 uW. Value 0 = undefined.	100 uW
801C	1	RO	7~0	Maximum Optical Input Power per Network Lane	Unsigned 8 bit value * 100 uW. Value 0 = undefined.	100 uW
801D	1	RO	7~0	Maximum Power Consumption	Unsigned 8 bit value * 200 mW. Value 0 = undefined. These bits are only applicable to CFP Modules. They are not applicable to MSA-100GLH modules. See 0x8186h.	200 mW
801E	1	RO	7~0	Maximum Power Consumption in Low Power Mode	Unsigned 8 bit value * 20 mW. Value 0 = undefined. These bits are only applicable to CFP Modules. They are not applicable to MSA-100GLH modules. See 0x8188h.	20 mW
801F	1	RO	7~0	Maximum Operating Case Temp Range	Signed 8 bit value of 1 degC with valid range from -127 to +127 degC. Use 2's complement representation. Value of -128 indicates undefined.	1 degC
8020	1	RO	7~0	Minimum Operating Case Temp Range	Signed 8 bit value of 1 degC with valid range from -127 to +127 degC. Use 2's complement representation. Value of -128 indicates undefined.	1 degC
8021	16	RO	7~0	Vendor Name	Vendor (manufacturer) name in any combination of letters and/or digits in ASCII code, left aligned and padded on the right with ASCII spaces (20h). The vendor name shall be the full name of the corporation, a commonly accepted abbreviation of the name or the stock exchange code for the corporation. Vendor is the CFP module vendor.	N/A
8031	3	RO	7~0	Vendor OUI	The vendor organizationally unique identifier field (vendor OUI) is a 3-byte field that contains the IEEE Company Identifier for the vendor. The OUI format is defined by IEEE 802, section 9.1, which specifies "a string of three octets, using the hexadecimal representation", which lists the OUI bytes in forward order. For example, ABCDEFh will have ABh stored in register 8031h, CDh in register 8032h, and EFh in register 8033h.	N/A

CFP NVR 1						
Hex Addr	Size	Access Type	Bit	Register Name Bit Field Name	Description	LSB Unit
8034	16	RO	7-0	Vendor Part Number	Vendor (manufacturer) part number in any combination of letters and/or digits in ASCII code, left aligned and padded on the right with ASCII spaces (20h). All zero value means undefined. Vendor is the CFP module vendor.	N/A
8044	16	RO	7-0	Vendor Serial Number	Vendor (manufacturer) serial number in any combination of letters and/or digits in ASCII code, left aligned and padded on the right with ASCII spaces (20h). All zero means unfined.	N/A
8054	8	RO	7-0	Date Code	Vendor (manufacturer) date code in ASCII characters, in the format YYYYMMDD (e.g., 20090310 for March 10, 2009). One character at each MDIO address. 1 st letter of above format is at smaller address.	N/A
805C	2	RO	7-0	Lot Code	A 2-byte value representing lot code in any combination of letters and/or digits in ASCII code.	N/A
805E	10	RO	7-0	CLEI Code	CLEI Code in any combination of letters and/or digits in ASCII code.	N/A
8068	1	RO	7-0	CFP MSA Hardware Specification Revision Number	This register indicates the CFP MSA Hardware Specification version number supported by the transceiver. The 8 bits are used to represent the version number times 10. This yields a max of 25.5 revisions.	N/A
8069	1	RO	7-0	CFP MSA Management Interface Specification Revision Number	This register indicates the CFP MSA Management Interface Specification version number supported by the transceiver. The 8 bits are used to represent the version number times 10. This yields a max of 25.5 revisions.	
806A	2	RO	7-0	Module Hardware Version Number	A two-register number in the format of x.y with x at lower address and y at higher address. All zero value indicates undefined.	N/A
806C	2	RO	7-0	Module Firmware Version Number	A two-register number in the format of x.y with x at lower address and y at higher address. All zero value indicates undefined.	N/A
806E	1	RO		Digital Diagnostic Monitoring Type		N/A
			7-4	Reserved		0
			3	Received power measurement type	0: OMA, 1: Average Power.	N/A
			2	Transmitted power measurement type	0: OMA, 1: Average Power.	N/A
1-0	Reserved		0			
806F	1	RO		Digital Diagnostic Monitoring Capability 1	Module level DDM capability.	N/A
			7-6	Transceiver auxiliary monitor 2	00b: Not supported, 01b ~ 11b: TBD.	N/A
			5-4	Transceiver auxiliary monitor 1	00b: Not supported, 01b ~ 11b: TBD.	N/A
			3	Reserved		0
			2	Transceiver SOA bias current monitor	0: Not supported, 1: supported.	N/A
			1	Transceiver power supply voltage monitor	0: Not supported, 1: supported.	N/A
			0	Transceiver temperature monitor	Detailed definition is provided by vendor. 0: Not supported, 1: supported.	N/A
8070	1	RO		Digital Diagnostic Monitoring Capability 2	Per lane DDM capability.	N/A
			7-4	Reserved		0
			3	Network Lane received power monitor	0: Not supported, 1: supported.	N/A
			2	Network Lane laser output power monitor	0: Not supported, 1: supported.	N/A
			1	Network Lane laser bias current monitor	0: Not supported, 1: supported.	N/A
0	Network Lane laser temperature monitor	0: Not supported, 1: supported.	N/A			
8071	1	RO		Module Enhanced Options		N/A
			7	Host Lane Loop-back	0: Not supported, 1: Supported.	N/A
			6	Host Lane PRBS Supported	0: Not supported, 1: Supported.	N/A
			5	Host Lane emphasis control	0: Not supported, 1: Supported.	N/A
			4	Network Lane Loop-back	0: Not Supported 1: Supported	N/A
3	Network Lane PRBS	0: Not Supported 1: Supported	N/A			

CFP NVR 1						
Hex Addr	Size	Access Type	Bit	Register Name Bit Field Name	Description	LSB Unit
			2	Decision Threshold control function of FEC	This bit indicates whether Amplitude Adjustment function is supported in A280h~A28Fh or B300h~B30Fh 0: Not Supported 1: Supported	N/A
			1	Decision Phase control function of FEC	This bit indicates whether Phase Adjustment function is supported in A280h ~ A28Fh or B300h~B30Fh. 0: Not supported, 1: Supported.	N/A
			0	Unidirectional TX/RX only Operation Modes	0: Not supported, 1: Supported.	N/A
8072	1	RO	7-0	Maximum High-Power-up Time	Fully power up time required by module. Unsigned 8-bit value * 1 sec. Use 1 sec if the actual time is less than 1 sec.	1 sec
8073	1	RO	7-0	Maximum TX-Turn-on Time	Maximum time required to turn on all TX lanes and to let them reach stability. Unsigned 8-bit value * 1 sec. Use 1 sec if it is less than 1 sec.	1 sec.
8074 2.6	1	RO	7-0	Host Lane Signal Spec	If single Signal Spec is supported use the codes below (other than FFh). If multiple Signal Specs are supported use code FFh. 81C0h~81C7h for all signal specs supported. 00h: Unspecified, 01h: CAUI, 02h: XLAUI, 03h: SFI5.2, 04h: SFI-S, 05h: OTL3.4, 06h: OTL4.10, 07h: OTL4.4, 08h: STL256.4, 09h: CPPI, 0Ah: CAUI-4, 0Bh: CAUI-4f, 0Ch: CEI-28G VSR, 0Dh: MLG1.0, 0Eh: MLG1.1 0Fh: MLG2.0, 10h: 400GAUI-4 (for future use), 11h: 400GAUI-8, 12h: 400GAUI-16, 13h: 200GAUI-4, 14h: 200GAUI-8, 15h-FEh: Reserved, FFh: Multiple modes Supported (see registers 81C0~81C7 for supported modes).	N/A
8075	1	RO		Heat Sink Type		N/A
			7~1	Reserved		0
			0	Heat Sink Type	0: Flat top, 1: Integrated heat sink.	N/A
8076	1	RO	7-0	Maximum TX-Turn-off Time	Maximum time required to transit the "TX-Turn-off" state. The host may use this value as the time-out value. Unsigned 8-bit value * 1 ms.	1 ms
8077	1	RO	7-0	Maximum High-Power-down Time	Maximum time required from entering the "High-Power-down" state to exit from this state. Unsigned 8-bit value * 1 sec. Use 1 sec if it is less than 1 second.	1 sec.
8078	1	RO		Module Enhanced Options 2		N/A
			7 [2.4]	Host Lane Output Squelch	0: Not supported, 1: Automatic/Manual Host lane Output squelch is supported.	N/A
			6 [2.4]	Network Lane Output Squelch	0: Not supported, 1: Automatic/Manual Network lane TX squelch is supported.	N/A
			5	Host Lane Equalization control function	0: Not supported, 1: Supported.	N/A
			4	Active Decision Voltage and Phase	0: Not supported, 1: Supported.	N/A

CFP NVR 1								
Hex Addr	Size	Access Type	Bit	Register Name Bit Field Name	Description	LSB Unit		
				Function				
			3	RX FIFO Reset	0: Not supported, 1: Supported.		N/A	
			2	RX FIFO Auto Reset	0: Not supported, 1: Supported.		N/A	
			1	TX FIFO Reset	0: Not supported, 1: Supported.		N/A	
			0	TX FIFO Auto Reset	0: Not supported, 1: Supported.		N/A	
8079	1	RO		Transmitter Monitor Clock Options	<p>The CFP module may supply an optional transmitter monitor clock. This clock is intended to be used as a reference for measurements of the optical output. If provided, the clock shall operate at a fraction of either host lane rate or a network lane rate. A module may support multiple options. For the below bit values, 0 = not supported, 1 = supported.</p> <p>*See 8000h for module ID and 8009h for number of Host lanes in below table.</p> <p>**Of network lane "Baud rate", i.e., same frequency for both SR-16 and FR8/LR8.</p>			
					CFP or CFP2 10x10 mode*	CFP2 4x25 mode or CFP4*	CFP8* Source Lane	
			7	TX MCLK Option 7	1/16	1/40	Host	N/A
			6	TX MCLK Option 6	1/16		Network	N/A
			5	TX MCLK Option 5	1/64	1/160	Host	N/A
			4	TX MCLK Option 4	1/64	-	Network	N/A
			3	TX MCLK Option 3			Host	N/A
			2	TX MCLK Option 2	1/8	1/8	Network	N/A
			1	TX MCLK Option 1	-	1/32	Host	N/A
			0	TX MCLK Option Support	Indicating whether this option is supported or not. 0: Not supported, 1: Supported.			N/A
807A	1	RO		Receiver Monitor Clock Options	<p>The CFP module may supply an optional receiver monitor clock. This clock is intended to be used as a reference for measurements of the optical input. If provided, the clock shall operate at a fraction of either host lane rate or a network lane rate. A module may support multiple options. For the below bit values, 0 = not supported, 1 = supported.</p> <p>*See 8000h for module ID and 8009h for number of Host lanes in below table.</p> <p>**Of network lane "Baud rate", i.e., same frequency for both 400GAUI-16 and 400GAUI-8 in below table.</p>		0	
					CFP or CFP2 10x10 mode*	CFP2 4x25 mode or CFP4*	CFP8* Of Source Lane	
			7	RX MCLK Option 7	1/16	1/40	Host	N/A
			6	RX MCLK Option 6	1/16		Network	N/A
			5	RX MCLK Option 5	1/64	1/160	Host	N/A
			4	RX MCLK Option 4	1/64	-	Network	N/A
			3	RX MCLK Option 3			Host	N/A
			2	RX MCLK Option 2	1/8	1/8	Network	N/A
			1	RX MCLK Option 1	-	1/32	Host	N/A
			0	RX MCLK Option Support	Indicating whether this option is supported or not. 0=not supported, 1=Supported.			N/A
807B [2.0]	2	RO	7~0	Module Firmware B Version Number	A two-register number in the format of x.y with x at lower address and y at higher address.			N/A
807D [2.2]	1	RO	7~0	Maximum MDIO Ready Time	An 8-bit unsigned number representing Maximum MDIO Ready Time due to module software upgrade introduced MDIO down time in seconds.			Sec.
807E [2.2]	1	RO		CFP and CFP2/4 Extended Identifier				

CFP NVR 1																																									
Hex Addr	Size	Access Type	Bit	Register Name Bit Field Name	Description	LSB Unit																																			
[2.6]			7~6	Extended Power Class	This field defines coding extended power classes for CFP, CFP2, CFP4, CFP8, used together with register 8001h. For CFP2 modules if power class > 3, see Section 4.1.1.2.1 for recommended power up sequence. <table border="1"> <thead> <tr> <th>Bits 1~0 Value</th> <th>Power Class</th> <th>CFP</th> <th>CFP2</th> <th>CFP4</th> <th>CFP8</th> <th>CFP2-DCO</th> </tr> </thead> <tbody> <tr> <td>00b</td> <td>4</td> <td>≤ 32 W</td> <td>≤ 12 W</td> <td>≤ 6 W</td> <td>≤ 16 W</td> <td>≤ 18 W</td> </tr> <tr> <td>01b</td> <td>5</td> <td>≤ 40 W</td> <td>≤ 15 W</td> <td>≤ 7.5 W</td> <td>≤ 20 W</td> <td>≤ 21 W</td> </tr> <tr> <td>10b</td> <td>6</td> <td>≤ 48 W</td> <td>≤ 18 W</td> <td>≤ 9 W</td> <td>≤ 24 W</td> <td>≤ 24 W</td> </tr> <tr> <td>11b</td> <td>N/A</td> <td>NA</td> <td>NA</td> <td>NA</td> <td>NA</td> <td>NA</td> </tr> </tbody> </table>	Bits 1~0 Value	Power Class	CFP	CFP2	CFP4	CFP8	CFP2-DCO	00b	4	≤ 32 W	≤ 12 W	≤ 6 W	≤ 16 W	≤ 18 W	01b	5	≤ 40 W	≤ 15 W	≤ 7.5 W	≤ 20 W	≤ 21 W	10b	6	≤ 48 W	≤ 18 W	≤ 9 W	≤ 24 W	≤ 24 W	11b	N/A	NA	NA	NA	NA	NA	N/A
			Bits 1~0 Value	Power Class	CFP	CFP2	CFP4	CFP8	CFP2-DCO																																
			00b	4	≤ 32 W	≤ 12 W	≤ 6 W	≤ 16 W	≤ 18 W																																
			01b	5	≤ 40 W	≤ 15 W	≤ 7.5 W	≤ 20 W	≤ 21 W																																
			10b	6	≤ 48 W	≤ 18 W	≤ 9 W	≤ 24 W	≤ 24 W																																
			11b	N/A	NA	NA	NA	NA	NA																																
			5	MDIO Port Address Scheme Configuration	1-bit field specifies two MDIO Port Address modes (See Section 2.1.1 for additional information). 0: CFP2 only multi-device Type functionality scheme is used. In case of CFP8, MDIO port address is fixed 00000b. 1: CFP/CFP2/CFP4/CFP8 Common MDIO Port Address scheme with effective port address range from 0 to 31. In case of CFP8 MDIO port address can be changed to the desired value when MOD_SELn is asserted.	N/A																																			
4	CFP4/CFP8 Host Lane Pin-out Type	0b: Fixed, 1b: Programmable via A015h.8, (optional).	N/A																																						
3	CFP4/CFP8 Hardware TxDIS Pin (#11) Configuration	0: TxDIS, 1: PRG_CNTL1	N/A																																						
2	CFP4/CFP8 Hardware RxLOS Pin (#12) Configuration	0: RxLOS, 1: PRG_ALARM1	N/A																																						
1~0	Reserved		N/A																																						
807F	1	RO	7~0	CFP NVR 1 Checksum	The 8-bit unsigned sum of all CFP NVR 1 contents from address 8000h through 807Eh inclusive.	N/A																																			

1 **5.2 CFP NVR 2 Table: Alarm/Warning Threshold Registers**

2 This whole table contains alarm and warning thresholds for DDM A/D measurement values,
3 listed in CFP registers 8080h through 80F6h. Each register field is a 16-bit value with the
4 type of signed and unsigned detailed in Table 24 CFP NVR 2. Each register field uses two
5 addresses with MSB at lower address.
6

7 Each A/D value has a corresponding high alarm, low alarm, high warning and low warning
8 threshold. The warning thresholds have more conservative value in terms of reporting the
9 monitored A/D measurements while alarm thresholds represent more severe conditions
10 that call for immediate attention when A/D measurements hit these values. These factory-
11 set values allow the host to determine when a particular value is outside of "normal" limits
12 as determined by the CFP module manufacturer. It is assumed that these threshold values
13 will vary with different technologies and different implementations.
14

Table 24 CFP NVR 2

CFP NVR 2						
Hex Addr	Size	Access Type	Bit	Register Name Bit Field Name	Description	LSB Unit
Alarm/Warning Threshold Registers						
8080	2	RO	7~0	Transceiver Temp High Alarm Threshold	These thresholds are a signed 16-bit integer with LSB = 1/256 of a degree Celsius representing a range from -128 to + 127 255/256 degree C. MSA valid range is between -40 and +125C." MSB stored at low	1/256 degC
8082	2	RO	7~0	Transceiver Temp High Warning Threshold		
8084	2	RO	7~0	Transceiver Temp Low Warning		

CFP NVR 2						
Hex Addr	Size	Access Type	Bit	Register Name Bit Field Name	Description	LSB Unit
				Threshold	address, LSB stored at high address.	
8086	2	RO	7~0	Transceiver Temp Low Alarm Threshold		
8088	2	RO	7~0	VCC High Alarm Threshold	These thresholds are an unsigned 16-bit integer with LSB = 0.1 mV, representing a range of voltage from 0 to 6.5535 V. MSB stored at low address, LSB stored at high address. If Module Identifier (8000h) = 10h (168-pin 5x7 MSA 100GLH), then scale LSB = 1mV.	0.1 mV
808A	2	RO	7~0	VCC High Warning Threshold		
808C	2	RO	7~0	VCC Low Warning Threshold		
808E	2	RO	7~0	VCC Low Alarm Threshold		
8090	2	RO	7~0	SOA Bias Current High Alarm Threshold	These threshold values are an unsigned 16-bit integer with LSB = 2 uA by default, representing max value of 131.07 mA. For the case of coherent module (8003h = 02, 10 or 11) LSB = 8uA, representing max value of 524.280 mA. MSB stored at low address, LSB stored at high address.	2 uA
8092	2	RO	7~0	SOA Bias Current High Warning Threshold		
8094	2	RO	7~0	SOA Bias Current Low Warning Threshold		
8096	2	RO	7~0	SOA Bias Current Low Alarm Threshold		
8098	2	RO	7~0	Auxiliary 1 Monitor High Alarm Threshold	TBD	TBD
809A	2	RO	7~0	Auxiliary 1 Monitor High Warning Threshold	TBD	
809C	2	RO	7~0	Auxiliary 1 Monitor Low Warning Threshold	TBD	
809E	2	RO	7~0	Auxiliary 1 Monitor Low Alarm Threshold	TBD	
80A0	2	RO	7~0	Auxiliary 2 Monitor High Alarm Threshold	TBD	TBD
80A2	2	RO	7~0	Auxiliary 2 Monitor High Warning Threshold	TBD	
80A4	2	RO	7~0	Auxiliary 2 Monitor Low Warning Threshold	TBD	
80A6	2	RO	7~0	Auxiliary 2 Monitor Low Alarm Threshold	TBD	
80A8	2	RO	7~0	Laser Bias Current High Alarm Threshold	Alarm and warning thresholds for measured laser bias current. Reference A2A0h Description for additional information. MSB stored at low address, LSB stored at high address.	See A2A 0h
80AA	2	RO	7~0	Laser Bias Current High Warning Threshold		
80AC	2	RO	7~0	Laser Bias Current Low Warning Threshold		
80AE	2	RO	7~0	Laser Bias Current Low Alarm Threshold		
80B0	2	RO	7~0	Laser Output Power High Alarm Threshold	Alarm and warning thresholds for measured laser output power. For additional information see A2B0h in case of CFP or B330 in case of 100GLH Module. MSB stored at low address, LSB stored at high address.	See A2B 0h Or B330 h
80B2	2	RO	7~0	Laser Output Power High Warning Threshold		
80B4	2	RO	7~0	Laser Output Power Low Warning Threshold		
80B6	2	RO	7~0	Laser Output Power Low Alarm Threshold		
80B8	2	RO	7~0	Laser Temperature High Alarm Threshold	Alarm and warning thresholds for measured received input power. Reference A2C0h Description for additional information. MSB stored at low address, LSB stored at high address.	See A2C 0h
80BA	2	RO	7~0	Laser Temperature High Warning Threshold		
80BC	2	RO	7~0	Laser Temperature Low Warning Threshold		

CFP NVR 2						
Hex Addr	Size	Access Type	Bit	Register Name Bit Field Name	Description	LSB Unit
80BE	2	RO	7~0	Laser Temperature Low Alarm Threshold		
80C0	2	RO	7~0	Receive Optical Power High Alarm Threshold	Alarm and warning thresholds for measured received input power. Reference A2D0h Description for additional information. MSB stored at low address, LSB stored at high address.	See A2D0h
80C2	2	RO	7~0	Receive Optical Power High Warning Threshold		
80C4	2	RO	7~0	Receive Optical Power Low Warning Threshold		
80C6	2	RO	7~0	Receive Optical Power Low Alarm Threshold		
80C8 [2.0]	2	RO	7~0	RX Laser Bias Current High Alarm	Definition specified by module vendor. MSB stored at low address. LSB stored at high address.	TBD
80CA [2.0]	2	RO	7~0	RX Laser Bias Current High Warning	Definition specified by module vendor. MSB stored at low address. LSB stored at high address.	TBD
80CC [2.0]	2	RO	7~0	RX Laser Bias Current Low Warning	Definition specified by module vendor. MSB stored at low address. LSB stored at high address.	TBD
80CE [2.0]	2	RO	7~0	RX Laser Bias Current Low Alarm	Definition specified by module vendor. MSB stored at low address. LSB stored at high address.	TBD
80D0 [2.0]	2	RO	7~0	RX Laser Output Power High Alarm	Definition specified by module vendor. MSB stored at low address. LSB stored at high address.	TBD
80D2 [2.0]	2	RO	7~0	RX Laser Output Power High Warning	Definition specified by module vendor. MSB stored at low address. LSB stored at high address.	TBD
80D4 [2.0]	2	RO	7~0	RX Laser Output Power Low Warning	Definition specified by module vendor. MSB stored at low address. LSB stored at high address.	TBD
80D6 [2.0]	2	RO	7~0	Laser Output Power Low Alarm	Definition specified by module vendor. MSB stored at low address. LSB stored at high address.	TBD
80D8 [2.0]	2	RO	7~0	RX Laser Temperature High Alarm	Definition specified by module vendor. MSB stored at low address. LSB stored at high address.	TBD
80DA [2.0]	2	RO	7~0	RX Laser Temperature High Warning	Definition specified by module vendor. MSB stored at low address. LSB stored at high address.	TBD
80DC [2.0]	2	RO	7~0	RX Laser Temperature Low Warning	Definition specified by module vendor. MSB stored at low address. LSB stored at high address.	TBD
80DE [2.0]	2	RO	7~0	RX Laser Temperature Low Alarm	Definition specified by module vendor. MSB stored at low address. LSB stored at high address.	TBD
80E0 [2.0]	2	RO	7~0	TX Modulator Bias High Alarm	Definition specified by module vendor. MSB stored at low address. LSB stored at high address.	TBD
80E2 [2.0]	2	RO	7~0	TX Modulator Bias High Warning	Definition specified by module vendor. MSB stored at low address. LSB stored at high address.	TBD
80E4 [2.0]	2	RO	7~0	TX Modulator Bias Low Warning	Definition specified by module vendor. MSB stored at low address. LSB stored at high address.	TBD

CFP NVR 2						
Hex Addr	Size	Access Type	Bit	Register Name Bit Field Name	Description	LSB Unit
80E6 [2.0]	2	RO	7~0	TX Modulator Bias Low Alarm	Definition specified by module vendor. MSB stored at low address. LSB stored at high address.	TBD
80E8 [2.2]	2	RO	7~0	Host Configured Receive Optical Power High Alarm Permissible Minimum Threshold	MSB stored at low address, LSB stored at high address. 0000h indicates feature not supported and hence this range check is skipped.	NA
80EA [2.2]	2	RO	7~0	Host Configured Receive Optical Power High Warning Permissible Minimum Threshold	MSB stored at low address, LSB stored at high address. 0000h indicates feature not supported and hence this range check is skipped.	NA
80EC [2.2]	2	RO	7~0	Host Configured Receive Optical Power Low Warning Permissible Minimum Threshold	MSB stored at low address, LSB stored at high address. 0000h indicates feature not supported and hence this range check is skipped.	NA
80EE [2.2]	2	RO	7~0	Host Configured Receive Optical Power Low Alarm Permissible Minimum Threshold	MSB stored at low address, LSB stored at high address. 0000h indicates feature not supported and hence this range check is skipped.	NA
80F0 [2.2]	2	RO	7~0	Host Configured Receive Optical Power High Alarm Permissible Maximum Threshold	MSB stored at low address, LSB stored at high address. 0000h indicates feature not supported and hence this range check is skipped.	NA
80F2 [2.2]	2	RO	7~0	Host Configured Receive Optical Power High Warning Permissible Maximum Threshold	MSB stored at low address, LSB stored at high address. 0000h indicates feature not supported and hence this range check is skipped.	NA
80F4 [2.2]	2	RO	7~0	Host Configured Receive Optical Power Low Warning Permissible Maximum Threshold	MSB stored at low address, LSB stored at high address. 0000h indicates feature not supported and hence this range check is skipped.	NA
80F6 [2.2]	2	RO	7~0	Host Configured Receive Optical Power Low Alarm Permissible Maximum Threshold	MSB stored at low address, LSB stored at high address. 0000h indicates feature not supported and hence this range check is skipped.	NA
80F8	7	RO	7~0	Reserved		0
80FF	1	RO	7~0	CFP NVR 2 Checksum	The 8-bit unsigned sum of all CFP NVR 2 contents from address 8080h through 80FEh inclusive.	NA

1 **5.3 CFP NVR 3 Table: Network Lane BOL Measurement Registers**

2 *Table 25 CFP NVR 3* lists four beginning-of-life measurements of network lanes as the
3 reference data for module aging consideration. CFP MSA specifies that vendor provides
4 these data as an option. For details regarding each measurement please refer to
5 description of each register in the table.

6 *Table 25 CFP NVR 3*

CFP NVR 3						
Hex Addr	Size	Access Type	Bit	Register Name Bit Field Name	Description	LSB Unit
<i>Network Lane BOL Measurements</i>						

CFP NVR 3						
Hex Addr	Size	Access Type	Bit	Register Name Bit Field Name	Description	LSB Unit
8100	32	RO	7~0	RX Sensitivity Spec for network lanes 0 ~ 15.	RX Sensitivity measured in dBm @ BER=1e-12 at Typical condition. The value is a signed 16-bit integer with LSB = 0.01dBm. It uses two register addresses each for a total 32 register addresses for total 16 lanes.	0.01 dBm
8120	32	RO	7~0	TX Power Spec for network lanes 0 ~ 15.	TX Power measured in dBm at typical condition. The value is a signed 16-bit integer with LSB = 0.01dBm. It uses two register addresses each for a total 32 register addresses for total 16 lanes.	0.01 dBm
8140	32	RO	7~0	Measured ER for network lanes 0 ~ 15.	Measured Extinction ratio at Typical condition in dB. The value is an unsigned 16-bit integer with LSB = 0.01dB. It uses two register addresses each for a total 32 register addresses for total 16 lanes.	0.01 dB
8160	32	RO	7~0	Path Penalty for network lanes 0 ~ 15.	Path penalty @worst CD at Typical condition. The value is an unsigned 16-bit integer with LSB = 0.01dB. It uses two register addresses each for a total 32 register addresses for total 16 lanes.	0.01 dB

1 **5.4 CFP NVR 4 Table**

2 The 0x8000h page Base ID Registers defined in *Table 26 CFP NVR 4* is designed to
3 support CFP modules and MSA-100GLH modules with new registers added.

4 *Table 26 CFP NVR 4 Miscellaneous Registers*

CFP NVR 4						
Hex Add	Size	Access Type	Bit	Register Name Bit Field Name	Description	LSB Unit
8180	1	RO	7~0	CFP NVR 3 Checksum	The 8-bit unsigned sum of all CFP NVR 3 contents from address 8100h through 817Fh inclusive.	N/A
8181 [2.2]	1	RO	7~0	Maximum OM4 Multi-Mode Optical Fiber Length	8-bit value x10 m specifying maximum length of OM4 multi-mode fiber. A value of 0h is considered undefined.	10 m
8182 [2.0]	1	RO		Extended Identifiers	MSB stored at low address. LSB stored at high address.	
			7~2	Reserved		0
			1~0	Extended Power Class	00b: Power Class 4 Module (≤32W max); 01b: Power Class 5 Module (≤64W max); 10b: Power Class 6 Module (≤80W max); 11b: Reserved	00b
8183	1	RO	7~0	Reserved		0
8184 [2.0]	2	RO	7~0	Extended Maximum Network Lane Bit Rate	Unsigned 16-bit value x 0.1 Gbps. MSB stored at low address. LSB stored at high address.	N/A
8186 [2.0]	2	RO	7~0	Extended Maximum Power Consumption	Unsigned 16-bit value x 10 mW. MSB stored at low address. MSB stored at low address. LSB stored at high address.	N/A
8188	2	RO	7~0	Extended Maximum Power	Unsigned 16-bit value x 1 mW. MSB stored at	N/A

CFP NVR 4						
Hex Add	Size	Access Type	Bit	Register Name Bit Field Name	Description	LSB Unit
[2.0]				Consumption in Low Power Mode	low address. LSB stored at high address.	
818A [2.0]	2	RO	7~0	TX/RX Minimum Laser Frequency 1	An unsigned 16-bit integer with LSB = 1THz. MSB stored at low address. LSB stored at high address.	N/A
818C [2.0]	2	RO	7~0	TX/RX Minimum Laser Frequency 2	An unsigned 16-bit integer with LSB = 0.05 GHz. Value should not exceed 19999. MSB stored at low address. LSB stored at high address.	N/A
818E [2.0]	2	RO	7~0	TX/RX Maximum Laser Frequency 1	An unsigned 16-bit integer with LSB = 1THz. MSB stored at low address. LSB stored at high address.	N/A
8190 [2.0]	2	RO	7~0	TX/RX Maximum Laser Frequency 2	An unsigned 16-bit integer with LSB = 0.05 GHz. Value should not exceed 19999. MSB stored at low address. LSB stored at high address.	N/A
8192 [2.0]	2	RO	7~0	RX Laser Fine Tune Frequency Range (FTF) (Optional)	An unsigned 16-bit integer with LSB = 1 MHz. The range covers the min/max range symmetrically about 0. Set to zero if FTF is not supported. MSB stored at low address. LSB stored at high address.	0000h
8194 [2.0]	2	RO	7~0	TX Laser Fine Tune Frequency Range (FTF) (Optional)	An unsigned 16-bit integer with LSB = 1 MHz. The range covers the min/max range symmetrically about 0. Set to zero if FTF is not supported. MSB stored at low address. LSB stored at high address.	0000h
8196 [2.0]	2	RO		Laser Tuning Capabilities	MSB stored at low address. LSB stored at high address.	
			15	6.25 GHz Grid Spacing	1 = Supported, 0 = Not Supported	N/A
			14	12.5 GHz Grid Spacing	1 = Supported, 0 = Not Supported	N/A
			13	25 GHz Grid Spacing	1 = Supported, 0 = Not Supported	N/A
			12	33 GHz Grid Spacing	1 = Supported, 0 = Not Supported	N/A
			11	50 GHz Grid Spacing	1 = Supported, 0 = Not Supported	N/A
			10	100 GHz Grid Spacing	1 = Supported, 0 = Not Supported	N/A
9~0	Maximum Channels	Maximum channels supported based on minimum grid spacing supported	N/A			
8198 [2.4]	1	RO	7~0	Module Enhanced Option 3		
			7	Automatic equalization	This feature is detailed in A440h and B640h. 0: Not supported, 1: Supported.	N/A
			6	Manual equalization	This feature is detailed in A440h and B640h. 0: Not supported, 1: Supported.	N/A
			5	TX Reference Clock Supported	0: Not supported, 1: Supported.	N/A
			4	Network Lane Select for TxMCLK Supported	0: Not supported, 1: Supported.	N/A
			3	Host Lane Select for RxMCLK Supported	0: Not supported, 1: Supported.	N/A
			2~0	Reserved		
8199	7	RO	7~0	Reserved		0

CFP NVR 4						
Hex Add	Size	Access Type	Bit	Register Name Bit Field Name	Description	LSB Unit
81A0 [2.2]	8	RO	7~0	Network Lane n Vendor Specific Auxiliary 1 Monitor Thresholds	Definition provided by vendor, related to A340. For MSA 100GLH module, related to B140h.	0000h
81A8 [2.2]	8	RO	7~0	Network Lane n Vendor Specific Auxiliary 2 Monitor Thresholds	Definition provided by vendor, related to A350. For MSA 100GLH module, related to B150h.	0000h
81B0 [2.2]	8	RO	7~0	Network Lane n Vendor Specific Auxiliary 3 Monitor Threshold	Definition provided by vendor, related to A360. For MSA 100GLH module, related to B160h.	0000h
81B8 [2.2]	8	RO	7~0	Network Lane n Vendor Specific Auxiliary 4 Monitor Threshold	Definition provided by vendor, related to A370. For MSA 100GLH module, related to B170h.	0000h
81C0 [2.2]	4	RO		Reserved for Future Host Lane Signal Mode Bit Map Support		0000h
81C4 [2.6]	1	RO		Host Lane Signal Mode Bit Map 3		
			7	200GbE-4	0: Not supported, 1: Supported.	N/A
			6	200GbE-8	0: Not supported, 1: Supported.	N/A
			5	Reserved		N/A
			4	Reserved		N/A
			3	Reserved		N/A
			2	400GbE-4	0: Not supported, 1: Supported.	N/A
			1	400GbE-8	0: Not supported, 1: Supported.	N/A
			0	400GbE-16	0: Not supported, 1: Supported.	N/A
81C5 [2.6]	1	RO		Host Lane Signal Mode Bit Map 2		
			7	200GAUI-4	0: Not supported, 1: Supported.	N/A
			6	200GAUI-8	0: Not supported, 1: Supported.	N/A
			5	Reserved		N/A
			4	Reserved		N/A
			3	Reserved		N/A
			2	400GAUI-4	0: Not supported, 1: Supported.	N/A
			1	400GAUI-8	0: Not supported, 1: Supported.	N/A
			0	400GAUI-16	0: Not supported, 1: Supported.	N/A
81C6 [2.2]	1	RO		Host Lane Signal Mode Bit Map 1		N/A
			7	Reserved		N/A
			6	SFI-S	1: SFI-S supported, 0: SFI-S not supported	N/A
			5	STL256.4	1: STL256.4 supported, 0: STL256.4 not supported	N/A
			4	OTL10.4	1: OTL10.4 supported, 0: OTL10.4 not supported	N/A
			3	OTL3.4	1: OTL3.4 supported, 0: OTL3.4 not supported	N/A
			2	OTL4.4	1: OTL4.4 supported, 0: OTL4.4 not supported	N/A

CFP NVR 4						
Hex Add	Size	Access Type	Bit	Register Name Bit Field Name	Description	LSB Unit
			1	MLG2.0	1: MLG2.0 supported, 0: MLG2.0 not supported	N/A
			0	MLG1.1	1: MLG1.1 supported, 0: MLG1.1 not supported	N/A
81C7 [2.2]	1	RO		Host Lane Signal Mode Bit Map 0		N/A
			7	MLG1.0	1: MLG1.0 supported, 0: MLG1.0 not supported.	N/A
			6	CPPI	1: CPPI supported, 0: CPPI not supported	N/A
			5	CEI-28G VSR	1: CEI-28G VSR supported, 0: CEI-28G VSR not supported	N/A
			4	CAUI-4f	1: CAUI-4f supported, 0: CAUI-4f not supported	N/A
			3	CAUI-4	1: CAUI-4 supported, 0: CAUI-4 not supported	N/A
			2	SFI5.2	1: SFI5.2 supported, 0: SFI5.2 not supported	N/A
			1	XLAUI	1: XLAUI supported, 0: XLAUI not supported	N/A
			0	CAUI	1: CAUI supported, 0: CAUI not supported	N/A
81C8 [2.6]	4	RO				0
			7-3	Reserved		0
			2	400GAUI_4 (for future use)	0: Not supported, 1: Supported.	0
			1	400GAUI_8	0: Not supported, 1: Supported.	0
			0	400GAUI_16	0: Not supported, 1: Supported.	0
81C9	1	RO		Reserved		0
81CA [2.6]	2	RO		Extended Maximum Host Lane Bit Rate	8-bit value x 0.1 Gbps. It shall identify maximum data rate supported per host lane.	0.1 Gbps
81CC [2.6]	51	RO		Reserved		0
81FF	1	RO	7~0	CFP NVR 4 Checksum	The 8-bit unsigned sum of all CFP NVR 4 contents from address 8181h through 81FEh inclusive.	N/A

1 5.5 CFP Module VR 1 Table

2 Table 27 CFP Module VR 1 lists all the registers in several distinctive groups in terms of
3 their function. All of the registers in this table use 16-bit data format. The description of
4 each register field consists of three parts. The “Description” column of this table provides
5 some rudimentary information about each register. For more involved description, a
6 dedicated section of discussion is presented in “CFP Control and Signaling Theory”. The
7 sections presented in this chapter, provides additional information whenever it is
8 appropriate.

9
10 Some CFP Control, Status and DDM registers are application specific. CFP MSA intent is
11 to define registers and addresses. CFP MSA-compliant modules shall not use the
12 specified registers for alternate purposes.

13

1 CFP MSA-compliant modules need not support all application-specific A/D or status
2 registers defined here. For example, a parallel optical transceiver for short reach
3 application may not need APD power supply or TEC status support.

4 **5.5.1 CFP Command/Setup Registers**

5 This group includes 8 registers that host may use to control module behavior.

6 **5.5.1.1 NVR Access Control (A004h)**

7 This is a one address register with all the details documented in 4.10.

8 **5.5.1.2 PRG CNTLs Function Select (A005h, A006, A007h)**

9 Each of these registers selects a control function for the programmable control pins. Refer
10 to 4.11.2 Programmable Control Functions for PRG_CNTLs for details.

11 **5.5.1.3 PRG ALRMs Source Select (A008h, A009h, A00Ah)**

12 Each of these registers selects an alarm source for the programmable alarm pins. Refer to
13 4.11.3 Programmable Alarm Sources for PRG_ALRMS for details.

14 **5.5.1.4 Module Bi-/Uni- Directional Operating Mode Select (A00Bh)**

15 CFP module users may seek special applications where the CFP module is used for single
16 directional operation. In addition to the “Description” column of this CFP register more
17 information is referenced to 4.4 Special Modes of Operation.

18 **5.5.2 Module Control Registers (A010h~A015h)**

19 These registers provide both additional and alternative controls to hardware pins,
20 programmable control pins and extended features and options in controlling the CFP
21 module. More information is documented in the “Description” column of the individual
22 registers.

23 **5.5.3 Module State Register (A016h)**

24 Module State register provides real time States of the module operation. Its use has been
25 discussed in detail in 4.1 CFP Module States and Related Signals. Note that this register is
26 part of the global alarm system.

27 **5.5.4 Module Alarm Summary Registers (A018h, A019h, A01Ah, A01Bh)**

28 This set of CFP registers enable the fast diagnosis of locating the origin of a FAWS
29 condition for the Host in response to a global alarm interrupt request generated by
30 GLB_ALARM. This set of CFP registers is at the top level of the global alarm aggregation
31 hierarchy. Host can use this set of CFP registers as the top-level index for tracking down
32 the origin of the interrupt request. For more details in using these registers please
33 reference 4.6.

1 **5.5.5 Module FAWS Registers (A01Dh, A01Eh, A01Fh, A020h)**

2 This set of CFP registers is the main source of module status and alarm/warning
3 conditions.

4 **5.5.6 Module FAWS Latch Registers (A022h, A023h, A024h, A025h, A026h)**

5 All the CFP registers in this group contain the latched version of Module Alarm/Status
6 Registers described above. Global Alarm uses these latched bits to report to the Host as
7 depicted by *Figure 11 Global Alarm Signal Aggregation*. All of the bits in these CFP
8 registers are cleared upon the Host reading.

9 **5.5.7 Module FAWS Enable Registers (A028h, A029h, A02Ah, A02Bh, A02Ch)**

10 All the CFP registers in this group are the enable registers for Module Alarm/Status
11 Register group (A01Dh, A01Eh, A01Fh, A020h). These CFP registers allow host to enable
12 or disable any particular FAWS bits to contribute to GLB_ALRM. Optional features and
13 not-supported functions will have their corresponding Enable bit(s) set to 0 by the CFP
14 during the Initialize state.

15 **5.5.8 Module Analog A/D Value Registers (A02Fh, A030h, A031h, A032h, A033h)**

16 Three analog quantities, Module Temperature Monitor A/D Value, Module Power Supply
17 3.3 V Monitor A/D Value, and SOA Bias Current A/D Value, are supported by this group of
18 registers. These monitoring quantities are at module level and non-network lane specific.
19 Two additional auxiliary monitoring quantities are specified future use.

20
21 The values in these and all other A/D registers are automatically updated with maximum
22 period of 100 ms for single network lane applications. If the number of network lane is
23 greater than 1, the maximum update period shall be $50 * (N + 1)$ ms, where N denotes the
24 number of network lanes supported in the application.

25 **5.5.9 Module PRBS Registers (A038h, A039h)**

26 These are Network Lane PRBS Data Bit Count and Host Lane PRBS Data Bit Count
27 registers. For their use reference 4.9 Bit Error Rate Calculation and the register
28 descriptions.

29

Table 27 CFP Module VR 1

CFP Module VR 1						
Hex Addr.	Size	Access Type	Bit	Register Name Bit Field Name	Description	Init Value
Module Command/Setup Registers						
A000 [2.2]	2	WO	15~0	Password Entry (Optional)	Password for module registers access control. Two word value. MSW is in the lower address but writing to A001h triggers the verification of password by module. Reading these registers always returns FFFFh.	0000h 0000h
A002 [2.2]	2	WO	15~0	Password Change (Optional)	New password entry. Two word value. MSW is in the lower address. Reading these registers always returns FFFFh.	0000h 0000h
A004	1			NVR Access Control	User NVRs Restore/Save command. Refer to 4.10.2 for details.	0000h

CFP Module VR 1						
Hex Addr.	Size	Access Type	Bit	Register Name Bit Field Name	Description	Init Value
		RW	15~9	Reserved	Vendor specific.	0
		RO	8~6	Reserved		000b
		RW	5	User Restore and Save Command	0: Restore the User NVR section, 1: Save the User NVR section.	0
		RO	4	Reserved		0
		RO	3~2	Command Status	00b: Idle, 01b: Command completed successfully, 10b: Command in progress, 11b: Command failed.	00b
		RW	1~0	Extended Commands	00b~01b: Vendor specific. 10b: Save User Password. If bit 5 = 0, this command has no effect, 11b: Restore/Save the User NVRs.	00b
A005 [2.6]	1			PRG_CNTL3 Function Select	Selects, and assigns, a control function to PRG_CNTL3. Note PRG_CNTL3 hardware pin shall be used as HW_IL_MSB during the Initialize State. This pin then shall be reprogrammed by host writing to this register if and only if in Low-Power State. For CFP4 or CFP8 module write to this register shall generate no effect.	0000h
		RO	15~8	Reserved		00h
		RW	7~0	Function Select Code	0: Assert/De-Assert of PRG_CNTL3 has no effect, 1: Assign TRXIC_RSTn function to hardware pins PRG_CNTL3. When so assigned this pin uses the active low logic, that is, 0 = Assert (Reset). Note that when so assigned, its soft counterpart Soft PRG_CNTL3 Control (A010h.12) uses an active high logic, that is, 1 = Assert (Reset). 2~255: Reserved.	00h
A006 [2.6]	1			PRG_CNTL2 Function Select	Selects, and assigns, a control function to PRG_CNTL2. Note PRG_CNTL2 hardware pin shall be used as HW_IL_LSB during the Initialize State. This pin then shall be reprogrammed by host writing to this register in and only in Low-Power State. For CFP4 or CFP8 module write to this register shall generate no effect.	0000h
		RO	15~8	Reserved		00h
		RW	7~0	Function Select Code	0: Assert/De-Assert of PRG_CNTL2 has no effect, 1: Assign TRXIC_RSTn function to hardware pins PRG_CNTL2. When so assigned this pin uses the active low logic, that is, 0 = Assert (Reset). Note that when so assigned, its soft counterpart Soft PRG_CNTL2 Control (A010h.11) uses an active high logic, that is, 1 = Assert (Reset). 2~255: Reserved.	00h
A007 [2.6]	1			PRG_CNTL1 Function Select	Selects, and assigns, a control function to PRG_CNTL1. This pin shall be reprogrammed by host writing to this register in and only in Low-Power State. Note CFP4/CFP8 module multiplexes PRG_CNTL1 with TX_DIS functions. Host shall use this register to assign TX_DIS function to PRG_CNTL1, if and only if module is in Low_Power State.	0001h/ 0010h for CFP4/ CFP8
		RO	15~8	Reserved		00h
		RW	7~0	Function Select Code	0h: Assert/De-Assert of PRG_CNTL1 has no effect, 1h: Assign TRXIC_RSTn function to hardware pins PRG_CNTL1. When so assigned this pin uses the active low logic, that is, 0 = Assert (Reset). Note that when so assigned, its soft counterpart Soft PRG_CNTL1 Control (A010h.10) uses an active high logic, that is, 1 = Assert (Reset). 2~9: MSA reserved. 10: TX_DIS as default Init. Value* for CFP4 module. 11~255: Reserved.	01 10 for CFP4/ CFP8)
A008 [2.6]	1			PRG_ALARM3 Source Select	Selects, and assigns, an alarm source for PRG_ALARM3. This register shall be read as 0 for CFP4 or CFP8 module.	0003h
		RO	15~8	Reserved		00h

CFP Module VR 1						
Hex Addr.	Size	Access Type	Bit	Register Name Bit Field Name	Description	Init Value
		RW	7~0	Alarm Source Code	0: Not active, always de-asserted, 1: HIPWR_ON, 2: Ready State, 3: Fault State, MSA default setting, 4: RX_ALARM = RX_LOS + RX_NETWORK_LOL, 5: TX_ALARM = TX_LOSF + TX_HOST_LOL + TX_CMU_LOL, 6: RX_NETWORK_LOL, 7: TX_LOSF, 8: TX_HOST_LOL, 9: OOA, Out of alignment, (Only applicable to certain products. If not implemented in the module, Writing 9 to this register has no effect and the register shall retain the previous value. This is also true for Registers A009h and A00Ah). 10~255: Reserved.	03h
A009 [2.6]	1			PRG_ALARM2 Source Select	Selects, and assigns, an alarm source for PRG_ALARM2. This register shall be read as 0 for CFP4 or CFP8 modules.	0002h
		RO	15~8	Reserved		00h
		RW	7~0	Alarm Source Code	0: Not active, always de-asserted, 1: HIPWR_ON, 2: Ready State, MSA default setting, 3: Fault State, 4: RX_ALARM = RX_LOS + RX_NETWORK_LOL, 5: TX_ALARM = TX_LOSF + TX_HOST_LOL + TX_CMU_LOL, 6: RX_NETWORK_LOL, 7: TX_LOSF, 8: TX_HOST_LOL, 9: OOA, Out of alignment, refer to description of A008h for details, 10~255: Reserved.	02h
A00A [2.6]	1			PRG_ALARM1 Source Select	Selects, and assigns, an alarm source for PRG_ALARM1.	0001h
		RO	15~8	Reserved		00h
		RW	7~0	Alarm Source Code	0: Not active, always de-asserted, 1: HIPWR_ON, MSA default setting, 2: Ready State, 3: Fault State, 4: RX_ALARM = RX_LOS + RX_NETWORK_LOL, 5: TX_ALARM = TX_LOSF + TX_HOST_LOL + TX_CMU_LOL, 6: RX_NETWORK_LOL, 7: TX_LOSF, 8: TX_HOST_LOL, 9: OOA, Out of alignment, refer to description of A008h for details, 10: RX_LOS as default Init. Value* for CFP4 or CFP8 module. No effect for other modules. 11~255: Reserved.	01h
A00B	1			Module Bi-/Uni-Directional Operating Mode Select		0000h
		RO	15~3	Reserved		0
		RW	2~0	Module Bi/uni-direction mode Select	000b: Normal bi-directional mode, 001b: Uni-direction TX only mode (optional), 010b: Uni-direction RX only mode (optional), 011b: Special bi-directional mode (optional), 100b~111b: Reserved.	000b
A00C	4	RO		Reserved		0000h
Module Control Registers						
A010	1			Module General Control		0000h

CFP Module VR 1								
Hex Addr.	Size	Access Type	Bit	Register Name Bit Field Name	Description	Init Value		
		RW/SC/LH	15	Soft Module Reset	Register bit for module reset function. Writing a 0 to this bit has no effect regardless it was 0 or 1 previously. 1: Module reset assert.	0		
		RW	14	Soft Module Low Power	Register bit for module low power function. 1: Assert.	0		
		RW	13	Soft TX Disable	Register bit for TX Disable function. 1: Assert.	0		
		RW	12	Soft PRG_CNTL3 Control	Register bit for PRG_CNTL3 control function. 1: Assert.	0		
		RW	11	Soft PRG_CNTL2 Control	Register bit for PRG_CNTL2 control function. 1: Assert.	0		
		RW	10	Soft PRG_CNTL1 Control	Register bit for PRG_CNTL1 control function. 1: Assert.	0		
		RW	9	Soft GLB_ALRM Test	Command bit for software forced test signal. When this bit is asserted it generates GLB_ALRM signal. 1: Assert.	0		
		RO	8~6	Reserved		0		
		RO	5	TX_DIS Pin State	Logical state of the TX_DIS pin. 1: Assert.	0		
		RO	4	MOD_LOPWR Pin State	Logical state of the MOD_LOPWR pin. 1: Assert.	0		
		RO	3	PRG_CNTL3 Pin State	Logical state of the PRG_CNTL3 pin. 1: Assert.	0		
		RO	2	PRG_CNTL2 Pin State	Logical state of the PRG_CNTL2 pin. 1: Assert.	0		
		RO	1	PRG_CNTL1 Pin State	Logical state of the PRG_CNTL1 pin. 1: Assert.	0		
		RO	0	Reserved		0		
A011	1			Network Lane TX Control	This control acts upon all the network lanes.	0200h		
		RW	15 [2.4]	Automatic Network Lane TX Squelch Mode (Optional)	0: Network Lane shall squelch TX Average power on TX_LOL (sync with A210h~A21Fh.6) per lane base. 1: Network Lane shall squelch TX OMA power on TX_LOL (sync with A210h~A21Fh.6) per lane base.	0		
		RW	14	TX PRBS Generator Enable	0: Normal operation, 1: PRBS mode. (Optional)	0		
		RW	13~12	TX PRBS Pattern	Standard Modes (A015h.15 = 0) 00b:2^7, 01b:2^15, 10b:2^23, 11b:2^31, Extended Modes (A015h.15 = 1) 00b: 2^9, 01b: Reserved, 10b: Reserved, 11b: Reserved.	00b		
		RW	11	TX De-skew Enable	0:Normal, 1:Disable	0		
		RW	10	TX FIFO Reset	This bit affects both host and network side TX FIFOs. 0: Normal operation, 1: Reset (Optional).	0		
		RW	9	TX FIFO Auto Reset	This bit affects both host and network side TX FIFOs. 0: Not Auto Reset, 1: Auto Reset. (Optional).	1		
		RW	8	TX Reset	0: Normal operation, 1: Reset. Definition and implementation are vendor specific.	0		
		RW [2.2]	7~5	TX MCLK Control	A 3-bit field coding the MCLK rate control. In the table below. *See 8000h for module ID and 8009h for Number of Lanes. **Of Network lane "Baud rate", i.e., same frequency for both SR16 and FR8/LR8.	000b		
				Code	Source Lane	CFP or CFP2 10x10	CFP2 4x25 mode* and	CFP8*

CFP Module VR 1						
Hex Addr.	Size	Access Type	Bit	Register Name Bit Field Name	Description	Init Value
					mode* CFP4*	
					000b Function disabled	
					001b Of network lane rate Reserved 1/32 Reserved	
					010b Of network lane rate 1/8 1/8 1/8**	
					011b Of host lane rate Reserved Reserved Reserved	
					100b Of network lane rate 1/64 Reserved 1/64 **	
					101b Of host lane rate 1/64 1/160 Reserved	
					110b Of network lane rate 1/16 Reserved 1/48 **	
					111b Of host lane rate 1/16 1/40 Reserved	
	RW		4 [2.4]	Automatic Network Lane TX Squelch Control (Optional)	0: Network lane automatic control on TX_LOL is off. Host controls each lane TX squelch using A041h. 1: Network lane automatic control on TX_LOL is on per lane base.	0
	RW		3~1	TX Rate Select (Host Side)	A 3-bit field codes RX rate select implemented for a module. The selected rate is module ID and number of host lane dependent. Registers 8000h and 8009h shall be referenced to determine what signal type at what rate is supported.	000b or 110b
					Code CFP or CFP2 10x10 mode* CFP2 4x25 mode* CFP4* CFP8*	
					Signal Type and Rate Selected	
					000b GbE 10.31 GbE 25.8 GbE 25.8 GbE 25.8	
					001b SDH 9.95 Reserved Reserved Reserved	
					010b OTU3 10.7 Reserved Reserved Reserved	
					011b OTU4 11.2 OTU4 28 OTU4 28 Reserved	
					100b OTU3e1 11.14 Reserved Reserved Reserved	
					101b OTU3e2 11.15 Reserved Reserved Reserved	
					110b Reserved Reserved Reserved 26.6 KP4 FEC	
					111b Reserved Reserved Reserved Reserved	
					* See 8000h for module ID and 8009h for Number of Host Lanes	
	RW		0	TX Reference CLK Rate Select	A 1-bit field codes TX Reference CLK baud rate select implemented for a module. The selected rate is module ID and number of host lane dependent. Registers 8000h and 8009h shall be referenced to determine what signal type at what rate is supported.	1b
					Code CFP or CFP2 10x10 mode* CFP2 4x25 mode* CFP4* CFP8*	
					CLK Divider	
					0b 1/16 1/40 1/40 1/40 or 1/42.5**	
					1b 1/64 1/160 1/160 1/160 or 1/170**	
					* See 8000h for module ID and 8009h for Number of Host Lanes ** 1/160 or 1/40 electrical lane rate when the rate is 25.8G. 1/170 or 1/42.5 electrical lane rate when the rate is 26.6G. The electrical lane rate selection between 25.8G and 26.6G is done by the host for proper module operation and to select the optional reference clock. The clock rate is automatically changed between 1/160 and 1/170 internally according to Tx Rate Select register setting A011h.3~1.	
A012	1			Network Lane RX Control	This control acts upon all the network lanes.	0200h
	RW		15	Active Decision Voltage and Phase function	This bit activates the active decision voltage and phase function in the module. 0: not active, 1: active. (Optional)	0b

CFP Module VR 1																																																			
Hex Addr.	Size	Access Type	Bit	Register Name Bit Field Name	Description	Init Value																																													
		RW	14	RX PRBS Checker Enable	0: Normal operation, 1: PRBS mode. (Optional)	0b																																													
		RW	13~12	RX PRBS Pattern	<table border="0"> <tr> <td>Standard Modes (A015.14 = 0)</td> <td>Extended Modes (A015.14 = 1)</td> </tr> <tr> <td>00b:2^7,</td> <td>00b: 2^9,</td> </tr> <tr> <td>01b:2^15,</td> <td>01b: Reserved,</td> </tr> <tr> <td>10b:2^23,</td> <td>10b: Reserved,</td> </tr> <tr> <td>11b:2^31,</td> <td>11b: Reserved.</td> </tr> </table>	Standard Modes (A015.14 = 0)	Extended Modes (A015.14 = 1)	00b:2^7,	00b: 2^9,	01b:2^15,	01b: Reserved,	10b:2^23,	10b: Reserved,	11b:2^31,	11b: Reserved.	00b																																			
Standard Modes (A015.14 = 0)	Extended Modes (A015.14 = 1)																																																		
00b:2^7,	00b: 2^9,																																																		
01b:2^15,	01b: Reserved,																																																		
10b:2^23,	10b: Reserved,																																																		
11b:2^31,	11b: Reserved.																																																		
		RW	11	RX Lock RX_MCLK to Reference CLK	0: Normal operation, 1: Lock RX_MCLK to REFCLK.	0b																																													
		RW	10	Network Lane Loop-back	0: Normal operation, 1: Network lane loop-back. (Optional)	0b																																													
		RW	9	RX FIFO Auto Reset	0: Not auto reset, 1: Auto reset. (Optional).	1b																																													
		RW	8	RX Reset	0: Normal operation, 1: Reset. Definition and implementation are vendor specific.	0b																																													
		RW [2.2]	7~5	RX MCLK Control (optional)	<p>3-bit field coding the MCLK rate control.</p> <table border="1"> <thead> <tr> <th>Code</th> <th>Source Lane</th> <th>CFP or CFP2 10x10 mode</th> <th>CFP2 4x25 mode or CFP4</th> <th>CFP8*</th> </tr> </thead> <tbody> <tr> <td>000b</td> <td colspan="4">Function disabled</td> </tr> <tr> <td>001b</td> <td>Of network lane rate</td> <td>Reserved</td> <td>1/32</td> <td>Reserved</td> </tr> <tr> <td>010b</td> <td>Of network lane rate</td> <td>1/8</td> <td>1/8</td> <td>Reserved</td> </tr> <tr> <td>011b</td> <td>Of host lane rate</td> <td>Reserved</td> <td>Reserved</td> <td>1/8**</td> </tr> <tr> <td>100b</td> <td>Of network lane rate</td> <td>1/64</td> <td>Reserved</td> <td>Reserved</td> </tr> <tr> <td>101b</td> <td>Of host lane rate</td> <td>1/64</td> <td>1/160</td> <td>1/64**</td> </tr> <tr> <td>110b</td> <td>Of network lane rate</td> <td>1/16</td> <td>Reserved</td> <td>Reserved</td> </tr> <tr> <td>111b</td> <td>Of host lane rate</td> <td>1/16</td> <td>1/40</td> <td>1/48**</td> </tr> </tbody> </table> <p>* See 8000h for module ID and 8089h for Number of Host Lanes **Of host lane "Baud rate", i.e., same freq for both 400GAUI-16 and 400GAUI-8.</p>	Code	Source Lane	CFP or CFP2 10x10 mode	CFP2 4x25 mode or CFP4	CFP8*	000b	Function disabled				001b	Of network lane rate	Reserved	1/32	Reserved	010b	Of network lane rate	1/8	1/8	Reserved	011b	Of host lane rate	Reserved	Reserved	1/8**	100b	Of network lane rate	1/64	Reserved	Reserved	101b	Of host lane rate	1/64	1/160	1/64**	110b	Of network lane rate	1/16	Reserved	Reserved	111b	Of host lane rate	1/16	1/40	1/48**	000b
Code	Source Lane	CFP or CFP2 10x10 mode	CFP2 4x25 mode or CFP4	CFP8*																																															
000b	Function disabled																																																		
001b	Of network lane rate	Reserved	1/32	Reserved																																															
010b	Of network lane rate	1/8	1/8	Reserved																																															
011b	Of host lane rate	Reserved	Reserved	1/8**																																															
100b	Of network lane rate	1/64	Reserved	Reserved																																															
101b	Of host lane rate	1/64	1/160	1/64**																																															
110b	Of network lane rate	1/16	Reserved	Reserved																																															
111b	Of host lane rate	1/16	1/40	1/48**																																															
		RW	4	RX FIFO Reset	0: Normal, 1: Reset. (Optional).	0b																																													
		RW	3~1	RX Rate Select (Host Side)	<p>A 3-bit field codes RX rate select implemented for a module. The selected rate is module ID and number of host lane dependent. Registers 8000h and 8009h shall be referenced to determine what signal type at what rate is supported.</p> <table border="1"> <thead> <tr> <th>Code</th> <th>CFP or CFP2 10x10 mode*</th> <th>CFP2 4x25 mode*</th> <th>CFP4 *</th> <th>CFP8*</th> </tr> </thead> <tbody> <tr> <td colspan="5">Signal Type and Rate Selected</td> </tr> <tr> <td>000b</td> <td>GbE 10.31</td> <td>GbE 25.8</td> <td>GbE 25.8</td> <td>GbE 25.8</td> </tr> <tr> <td>001b</td> <td>SDH 9.95</td> <td>Reserved</td> <td>Reserved</td> <td>Reserved</td> </tr> <tr> <td>010b</td> <td>OTU3 10.7</td> <td>Reserved</td> <td>Reserved</td> <td>Reserved</td> </tr> <tr> <td>011b</td> <td>OTU4 11.2</td> <td>OTU4 28</td> <td>OTU4 28</td> <td>Reserved</td> </tr> <tr> <td>100b</td> <td>OTU3e1 11.14</td> <td>Reserved</td> <td>Reserved</td> <td>Reserved</td> </tr> <tr> <td>101b</td> <td>OTU3e2 11.15</td> <td>Reserved</td> <td>Reserved</td> <td>Reserved</td> </tr> <tr> <td>110b</td> <td>Reserved</td> <td>Reserved</td> <td>Reserved</td> <td>26.6 KP4 FEC</td> </tr> </tbody> </table>	Code	CFP or CFP2 10x10 mode*	CFP2 4x25 mode*	CFP4 *	CFP8*	Signal Type and Rate Selected					000b	GbE 10.31	GbE 25.8	GbE 25.8	GbE 25.8	001b	SDH 9.95	Reserved	Reserved	Reserved	010b	OTU3 10.7	Reserved	Reserved	Reserved	011b	OTU4 11.2	OTU4 28	OTU4 28	Reserved	100b	OTU3e1 11.14	Reserved	Reserved	Reserved	101b	OTU3e2 11.15	Reserved	Reserved	Reserved	110b	Reserved	Reserved	Reserved	26.6 KP4 FEC	000b
Code	CFP or CFP2 10x10 mode*	CFP2 4x25 mode*	CFP4 *	CFP8*																																															
Signal Type and Rate Selected																																																			
000b	GbE 10.31	GbE 25.8	GbE 25.8	GbE 25.8																																															
001b	SDH 9.95	Reserved	Reserved	Reserved																																															
010b	OTU3 10.7	Reserved	Reserved	Reserved																																															
011b	OTU4 11.2	OTU4 28	OTU4 28	Reserved																																															
100b	OTU3e1 11.14	Reserved	Reserved	Reserved																																															
101b	OTU3e2 11.15	Reserved	Reserved	Reserved																																															
110b	Reserved	Reserved	Reserved	26.6 KP4 FEC																																															

CFP Module VR 1																
Hex Addr.	Size	Access Type	Bit	Register Name Bit Field Name	Description	Init Value										
					<table border="1"> <tr> <td>111b</td> <td>Reserved</td> <td>Reserved</td> <td>Reserved</td> <td>Reserved</td> </tr> </table>	111b	Reserved	Reserved	Reserved	Reserved						
111b	Reserved	Reserved	Reserved	Reserved												
					<p>* See 8000h for module ID and 8009h for Number of Host Lanes **Of host lane "Baud Rate", i.e., same frequency for both 400GAUI-16 or 400GAUI-8.</p>											
		RW	0	RX Reference CLK Rate Select	A 1-bit field codes RX Reference CLK rate select implemented for a module. The selected rate is module ID and number of host lane dependent. Registers 8000h and 8009h shall be referenced to determine what signal type at what rate is supported.	1b										
					<table border="1"> <tr> <td>Code</td> <td>CFP or CFP2 10x10 mode*</td> <td>CFP2 4x25 mode*</td> <td>CFP4*</td> <td>CFP8*</td> </tr> </table>	Code	CFP or CFP2 10x10 mode*	CFP2 4x25 mode*	CFP4*	CFP8*						
Code	CFP or CFP2 10x10 mode*	CFP2 4x25 mode*	CFP4*	CFP8*												
					CLK Divider											
					<table border="1"> <tr> <td>0b</td> <td>1/16</td> <td>1/40</td> <td>1/40</td> <td>N/A</td> </tr> <tr> <td>1b</td> <td>1/64</td> <td>1/160</td> <td>1/160</td> <td>N/A</td> </tr> </table>	0b	1/16	1/40	1/40	N/A	1b	1/64	1/160	1/160	N/A	
0b	1/16	1/40	1/40	N/A												
1b	1/64	1/160	1/160	N/A												
					* See 8000h for module ID and 8009h for Number of Host Lanes											
A013	1	RW		Individual Network Lane TX_DIS Control	This register acts upon individual network lanes. Note that toggling individual network lane TX disable bit does not change module state.	0000h										
			15~0	Lane 15~0 Disable	Bits 15~0 disable Lanes 15~0 respectively. 0: Normal, 1: Disable.	0										
A014	1			Host Lane Control	This control acts upon all the host lanes.	0000h										
		RO	15	Reserved		0										
		RW	14	TX PRBS Checker Enable	0: Normal operation, 1: PRBS mode. (Optional)	0										
		RW	13	TX PRBS Pattern 2	000b:2^7, 100b:2^23,	000b										
		RW	12	TX PRBS Pattern 1	001b: 2^9, 101b: reserved,											
		RW	11	TX PRBS Pattern 0	010b:2^15, 110b:2^31, 011b: reserved, 111b: reserved.											
		RW	10	Host Lane Loop-back Enable	0: Normal operation, 1: Host lane loop-back. (Optional)	0										
		RW	9	Automatic Host Lane Output Squelch on LOS (Optional)	0: Host Lane shall not squelch on RX_LOS. Host controls squelch using A040h 1: Host Lane shall squelch on RX_LOS (sync with A210h~A21Fh.4) per lane based.	0										
		RW	8	Automatic Host Lane Output Squelch on LOL (Optional)	0: Host Lane shall Not squelch on RX_LOL. Host controls squelch using A040h. 1: Host Lane shall squelch on RX_LOL (sync with A210h~A21Fh.3) per lane based.	0										
		RW	7	RX PRBS Generator Enable	0: Normal operation, 1: PRBS mode. (Optional)	0										
		RW	6	RX PRBS Pattern 2	000b:2^7, 100b:2^23,	000b										
		RW	5	RX PRBS Pattern 1	001b: 2^9, 101b: reserved,											
		RW	4	RX PRBS Pattern 0	010b:2^15, 110b:2^31, 011b: reserved, 111b: reserved.											
		RO	3~0	Reserved		0h										
A015 [2.2]	1	RW		Module General Control 2	This register collects added module general control functions for CFP MSA MIS V2.2	0000h										
			15	Enable Tx Network Lane PRBS Modes.	Enables standard or extended Tx Network Lane PRBS Modes in Register A011. 0: Enable standard modes, 1: Enable extended modes.	0										
			14	Enable Rx Network Lane PRBS Modes.	Enables standard or extended Rx Network Lane PRBS Modes in Register A012. 0: Enable standard modes, 1: Enable extended modes.	0										

CFP Module VR 1						
Hex Addr.	Size	Access Type	Bit	Register Name Bit Field Name	Description	Init Value
			13~12	MCLK Selection (CFP4/CFP8)	Selects the source of the MCLK for CFP4 modules. 00b: MCLK Off, default mandatory for CFP4. 01b: MCLK = TX_MCLK 10b: MCLK = RX_MCLK 11b: Reserved.	00b
			11	Tx Lane Offset Enable	Optional feature to enable delaying Tx Lanes by 32 bytes to prevent frame alignment bytes from overlapping. 0: Disabled, 1: Enabled	0
			10	Rx Lane Offset Enable	Optional feature to enable delaying Rx Lanes by 32 bytes to prevent frame alignment bytes from overlapping. 0: Disabled, 1: Enabled	0
			9	RX Power Monitor Alarm/Warning Threshold Select	0: MSA default registers 80C0h~80C7h, 1: Host Configured Receive Optical Power Threshold registers A03Ch~A03Fh.	0
			8 [2.4]	CFP4 Host Lane Pin-out Select	0b: TOP if 807Eh.4 = 1b 1b: TOP ALT1 if 807Eh.4 = 1b, No effect if 807Eh.4 = 0b	0
			7~0	Electrical Interface Format Select (Optional)	Host writes to select in which mode the module should operate. 00h: Unspecified, 01h: CAUI, 02h: XLAUI, 03h: SFI5.2, 04h: SFI-S, 05h: OTL3.4, 06h: OTL4.10, 07h: OTL4.4, 08h: STL256.4, 09h: CPPI, 0Ah: CAUI-4, 0Bh: CAUI-4f, 0Ch: CEI-28G VSR, 0Dh: MLG1.0, 0Eh: MLG1.1, 0Fh: MLG2.0, 10h: 400GAUI-4 (for future use), 11h: 400GAUI-8, 12h: 400GAUI-16, 13h: 200GAUI-4, 14h: 200GAUI-8, 15h~FFh: Reserved.	00h
Module State Register						
A016	1	RO		Module State	CFP module state. Only a single bit set at any time.	0000h
			15~9	Reserved		0
			8	High-Power-down State	1: Corresponding state is active. Word value = 0100h.	0
			7	TX-Turn-off State	1: Corresponding state is active. Word value = 0080h.	0
			6	Fault State	1: Corresponding state is active. Word value = 0040h. (Also referred to as MOD_FAULT)	0
			5	Ready State	1: Corresponding state is active. Word value = 0020h. (Also referred to as MOD_READY)	0
			4	TX-Turn-on State	1: Corresponding state is active. Word value = 0010h.	0
			3	TX-Off State	1: Corresponding state is active. Word value = 0008h.	0
			2	High-Power-up State	1: Corresponding state is active. Word value = 0004h.	0
			1	Low-Power State	1: Corresponding state is active. Word value = 0002h.	0
			0	Initialize State	1: Corresponding state is active. Word value = 0001h.	0

CFP Module VR 1						
Hex Addr.	Size	Access Type	Bit	Register Name Bit Field Name	Description	Init Value
Module Alarm Summary Registers						
A017	1	RO		Reserved		0000h
A018	1	RO		Global Alarm Summary		
			15	GLB_ALRM Assertion Status	Internal status of global alarm output. 1: Asserted.	0
			14	Host Lane Fault and Status Summary	Logical OR of all the enabled bits of Host Lane Fault and Status Summary register.	0
			13	Network Lane Fault and Status Summary	Logical OR of all the bits in the Network Lane Fault and Status Summary register.	0
			12	Network Lane Alarm and Warning Summary	Logical OR of all the bits in the Network Lane Alarm and Warning Summary register.	0
			11	Module Alarm and Warning 2 Summary	Logical OR of all the enabled bits of Module Alarms and Warnings 2 Latch register.	0
			10	Module Alarm and Warning 1 Summary	Logical OR of all the enabled bits of Module Alarms and Warnings 1 Latch register.	0
			9	Module Fault Summary	Logical OR of all the enabled bits of Module Fault Status Latch register.	0
			8	Module General Status Summary	Logical OR of all the enabled bits of Module General Status Latch register.	0
			7	Module State Summary	Logical OR of all the enabled bits of Module State Latch register.	0
			6~5	Reserved		
			4	CDB Command Completed	Logic OR of both CDB Status, CDB Command Completed Successfully and CDB Command Failed.	0
			3 [2.2]	Vendor Specific FAWS	Logical OR of all the enabled bits of Vendor Specific FAWS Latch register.	0
			2~1	Reserved		0
			0	Soft GLB_ALRM Test Status	Soft GLB_ALRM Test bit Status.	0
A019	1	RO		Network Lane Alarm and Warning Summary	Each bit is the logical OR of all enabled bits in each of Network Lane Alarm and Warning Latch registers.	0000h
			15~0	Lane n Alarm and Warning Summary	Logical OR of all enabled bits in Latched Lane n Network Lane Alarm and Warning Register. 1 = Fault asserted. n ranges from 0 to 15.	0
A01A	1	RO		Network Lane Fault and Status Summary	Each bit is the logical OR of all enabled bits in each of the Network Lane fault and Status Latch registers.	0000h
			15~0	Lane n Fault and Status Summary	Logical OR of all enabled bits in Latched Lane n Network Lane Fault and Status Register. 1 = Fault asserted. Lane number n ranges from 0 to 15.	0
A01B	1	RO		Host Lane Fault and Status Summary	Each bit is the logical OR of all enabled bits in each of the Host Lane fault and Status Latch registers	0000h
			15~0	Lane n Fault and Status Summary	Logical OR of all enabled bits in Latched Lane n Host Lane Fault and Status Register. 1 = Fault asserted. Lane number n ranges from 0 to 15.	0
A01C	1	RO		Reserved		0
Module FAWS Registers						
A01D	1	RO		Module General Status		0000h
			15	Reserved		0
			14	Reserved		0

CFP Module VR 1						
Hex Addr.	Size	Access Type	Bit	Register Name Bit Field Name	Description	Init Value
			13	HW_Interlock	Module internally generated status signal. (FAWS_TYPE_A) 0: If module power <= Host cooling capacity or if hardware Interlock is not used, 1: If module power > Host cooling capacity.	0
			12~11	Reserved		0
			10	Loss of REFCLK Input	Loss of reference clock input. It is an optional feature. (FAWS_TYPE_B). 0: Normal, 1: Loss of signal.	0
			9	TX_JITTER_PLL_LOL	TX jitter PLL loss of lock. It is an optional feature. (FAWS_TYPE_B). 0: Normal, 1: Loss of lock.	0
			8	TX_CMU_LOL	TX CMU loss of lock. It is the loss of lock indicator on the network side of the CMU. It is an optional feature. (FAWS_TYPE_B). 0: Normal, 1: Loss of lock.	0
			7	TX_LOSF	Transmitter Loss of Signal Functionality. Logic OR of all of Network Lanes TX_LOSF bits. PRG_ALRMx mappable. (FAWS_TYPE_C, since the TX must be enabled). Note: The corresponding latch register is set to 1 on any change (0-->1 or 1 --> 0) of this status signal. 0: all transmitter signals functional, 1: any transmitter signal not functional.	0
			6	TX_HOST_LOL	TX IC Lock Indicator. Logic OR of all host lane TX_LOL bits. PRG_ALRMx mappable. (FAWS_TYPE_B). Note: The corresponding latch register is set to 1 on any change (0-->1 or 1 --> 0) of this status signal. 0: Locked, 1: Loss of lock.	0
			5	RX_LOS	Receiver Loss of Signal. Logic OR of all of network lane RX_LOS bits. (FAWS_TYPE_B). Note: The corresponding latch register is set to 1 on any change (0-->1 or 1 --> 0) of this status signal. 0: No network lane RX_LOS bit asserted, 1: Any network lane RX_LOS bit asserted.	0
			4	RX_NETWORK_LOL	RX IC Lock Indicator. Logic OR of all network lane RX_LOL bits. PRG_ALRMx mappable. (FAWS_TYPE_B). Note: The corresponding latch register is set to 1 on any change (0-->1 or 1 --> 0) of this status signal. 0: Locked, 1: Loss of lock.	0
			3	Out of Alignment	Host lane skew out of alignment indicator. Applicable only for some internal implementations. (FAWS_TYPE_B). 0: Normal, 1: Out of alignment.	0
			2	Reserved		0
			1	HIPWR_ON	Status bit representing the condition of module in high power status. FAWS Type is not applicable. 0: Module is not in high power on status, 1: Module is in high powered on status.	0
			0	Reserved		0
A01E	1	RO		Module Fault Status	Module Fault Status bit pattern. Only fatal faults that are potentially harmful to the module can trigger the bits here. All the bits are 0: Normal; 1: fault detected. When any bit in this register is a '1', The Module State register will also be set to the Fault State.	0000h
			15	Reserved	Reserved for extension of "other faults" in case of all the bits	0

CFP Module VR 1						
Hex Addr.	Size	Access Type	Bit	Register Name Bit Field Name	Description	Init Value
					used up in this register.	
			14~7	Reserved		0
			6	PLD or Flash Initialization Fault	PLD, CPLD, or FPGA initialization fault. (FAWS_TYPE_A)	0
			5	Power Supply Fault	1: Power supply is out of range. (FAWS_TYPE_A)	0
			4~2	Reserved		000b
			1	CFP Checksum Fault	1: CFP Checksum failed. (FAWS_TYPE_A)	0
			0	Reserved		0
A01F	1	RO		Module Alarms and Warnings 1		0000h
			15~12	Reserved		0000b
			11	Mod Temp High Alarm	Mod temp high Alarm. (FAWS_TYPE_A) 0: Normal, 1: Asserted.	0
			10	Mod Temp High Warning	Mod temp high Warning. (FAWS_TYPE_A) 0: Normal, 1: Asserted.	0
			9	Mod Temp Low Warning	Mod temp low Warning. (FAWS_TYPE_A) 0: Normal, 1: Asserted.	0
			8	Mod Temp Low Alarm	Mod temp low Alarm. (FAWS_TYPE_A) 0: Normal, 1: Asserted.	0
			7	Mod Vcc High Alarm	Input Vcc high Alarm. (FAWS_TYPE_A) 0: Normal, 1: Asserted.	0
			6	Mod Vcc High Warning	Input Vcc high Warning. (FAWS_TYPE_A) 0: Normal, 1: Asserted.	0
			5	Mod Vcc Low Warning	Input Vcc low Warning. (FAWS_TYPE_A) 0: Normal, 1: Asserted.	0
			4	Mod Vcc Low Alarm	Input Vcc low Alarm. (FAWS_TYPE_A) 0: Normal, 1: Asserted.	0
			3	Mod SOA Bias High Alarm	SOA bias current high alarm. (FAWS_TYPE_B) 0: Normal, 1: Asserted.	0
			2	Mod SOA Bias High Warning	SOA bias current high warning. (FAWS_TYPE_B) 0: Normal, 1: Asserted.	0
			1	Mod SOA Bias Low Warning	SOA bias current low warning. (FAWS_TYPE_B) 0: Normal, 1: Asserted.	0
			0	Mod SOA Bias Low Alarm	SOA bias current low alarm. (FAWS_TYPE_B) 0: Normal, 1: Asserted.	0
A020	1	RO		Module Alarms and Warnings 2		0000h
			15~8	Reserved		0
			7	Mod Aux 1 High Alarm	Module aux ch 1 high alarm. (FAWS Type is vendor TBD) 0: Normal, 1: Asserted..	0
			6	Mod Aux 1 High Warning	Module aux ch 1 high warning. (FAWS Type is vendor TBD) 0: Normal, 1: Asserted.	0
			5	Mod Aux 1 Low Warning	Module aux ch 1 low warning. (FAWS Type is vendor TBD) 0: Normal, 1: Asserted.	0
			4	Mod Aux 1 Low Alarm	Module aux ch 1 low alarm. (FAWS Type is vendor TBD) 0: Normal, 1: Asserted.	0
			3	Mod Aux 2 High Alarm	Module aux ch 2 high alarm. (FAWS Type is vendor TBD) 0: Normal, 1: Asserted.	0
			2	Mod Aux 2 High Warning	Module aux ch 2 high warning. (FAWS Type is vendor TBD) 0: Normal, 1: Asserted.	0
			1	Mod Aux 2 Low Warning	Module aux ch 2 low warning. (FAWS Type is vendor TBD) 0: Normal, 1: Asserted.	0
			0	Mod Aux 2 Low Alarm	Module aux ch 2 low alarm. (FAWS Type is vendor TBD) 0: Normal, 1: Asserted.	0

CFP Module VR 1						
Hex Addr.	Size	Access Type	Bit	Register Name Bit Field Name	Description	Init Value
A021 [2.2]	1	RO		Vendor Specific FAWS	(Optional) Vendor Specified Module Fault, Alarm, Warning and Status. Contents are specified by the vendor.	0000h
Module FAWS Latch Registers						
A022	1			Module State Latch	CFP module state Latch.	0000h
		RO	15~9	Reserved		0
		RO/LH/C OR	8	High-Power-down State Latch	1: Latched.	0
		RO/LH/C OR	7	TX-Turn-off State Latch	1: Latched.	0
		RO/LH/C OR	6	Fault State Latch	1: Latched.	0
		RO/LH/C OR	5	Ready State Latch	1: Latched.	0
		RO/LH/C OR	4	TX-Turn-on State Latch	1: Latched.	0
		RO/LH/C OR	3	TX-Off State Latch	1: Latched.	0
		RO/LH/C OR	2	High-Power-up State Latch	1: Latched.	0
		RO/LH/C OR	1	Low-Power State Latch	1: Latched.	0
RO/LH/C OR	0	Initialize State Latch	1: Latched.	0		
A023	1			Module General Status Latch		0000h
		RO	15	Reserved		0
		RO	14	Reserved		0
		RO/LH/C OR	13	HW_Interlock Latch	1: Latched.	0
		RO	12~11	Reserved		0
		RO/LH/C OR	10	Loss of REFCLK Input Latch	1: Latched.	0
		RO/LH/C OR	9	TX_JITTER_PLL_LOL Latch	1: Latched.	0
		RO/LH/C OR	8	TX_CMU_LOL Latch	1: Latched.	0
		RO/LH/C OR	7	TX_LOSF Latch	1: Latched. Note: Set to 1 on any change (0-->1 or 1 --> 0) of the corresponding status signal.	0
		RO/LH/C OR	6	TX_HOST_LOL Latch	1: Latched. Note: Set to 1 on any change (0-->1 or 1 --> 0) of the corresponding status signal.	0
		RO/LH/C OR	5	RX_LOS Latch	1: Latched. Note: Set to 1 on any change (0-->1 or 1 --> 0) of the corresponding status signal.	0
		RO/LH/C OR	4	RX_NETWORK_LOL Latch	1: Latched. Note: Set to 1 on any change (0-->1 or 1 --> 0) of the corresponding status signal.	0
		RO/LH/C OR	3	Out of Alignment Latch	1: Latched.	0
RO	2~0	Reserved		000b		
A024	1			Module Fault Status Latch	Module Fault Status latched bit pattern.	0000h
		RO	15~7	Reserved		0
		RO/LH/C	6	PLD or Flash	1: Latched.	0

CFP Module VR 1						
Hex Addr.	Size	Access Type	Bit	Register Name Bit Field Name	Description	Init Value
		OR		Initialization Fault Latch		
		RO/LH/C OR	5	Power Supply Fault Latch	1: Latched.	0
		RO	4~2	Reserved		000b
		RO/LH/C OR	1	CFP Checksum Fault Latch	1: Latched.	0
		RO	0	Reserved		0
A025	1			Module Alarms and Warnings 1 Latch		0000h
		RO	15~12	Reserved		0000b
		RO/LH/C OR	11	Mod Temp High Alarm Latch	1: Latched.	0
		RO/LH/C OR	10	Mod Temp High Warning Latch	1: Latched.	0
		RO/LH/C OR	9	Mod Temp Low Warning Latch	1: Latched.	0
		RO/LH/C OR	8	Mod Temp Low Alarm Latch	1: Latched.	0
		RO/LH/C OR	7	Mod Vcc High Alarm Latch	1: Latched.	0
		RO/LH/C OR	6	Mod Vcc High Warning Latch	1: Latched.	0
		RO/LH/C OR	5	Mod Vcc Low Warning Latch	1: Latched.	0
		RO/LH/C OR	4	Mod Vcc Low Alarm Latch	1: Latched.	0
		RO/LH/C OR	3	Mod SOA Bias High Alarm Latch	1: Latched.	0
		RO/LH/C OR	2	Mod SOA Bias High Warning Latch	1: Latched.	0
		RO/LH/C OR	1	Mod SOA Bias Low Warning Latch	1: Latched.	0
		RO/LH/C OR	0	Mod SOA Bias Low Alarm Latch	1: Latched.	0
A026	1			Module Alarms and Warnings 2 Latch		0
		RO	15~8	Reserved		0
		RO/LH/C OR	7	Mod Aux 1 High Alarm Latch	1: Latched.	0
		RO/LH/C OR	6	Mod Aux 1 High Warning Latch	1: Latched.	0
		RO/LH/C OR	5	Mod Aux 1 Low Warning Latch	1: Latched.	0
		RO/LH/C OR	4	Mod Aux 1 Low Alarm Latch	1: Latched.	0
		RO/LH/C OR	3	Mod Aux 2 High Alarm Latch	1: Latched.	0
		RO/LH/C OR	2	Mod Aux 2 High Warning Latch	1: Latched.	0
		RO/LH/C OR	1	Mod Aux 2 Low Warning Latch	1: Latched.	0
		RO/LH/C OR	0	Mod Aux 2 Low Alarm Latch	1: Latched.	0

CFP Module VR 1						
Hex Addr.	Size	Access Type	Bit	Register Name Bit Field Name	Description	Init Value
A027 [2.2]	1	RO/LH/C OR		Vendor Specific FAWS Latch	(Optional) Vendor Specified Module Fault, Alarm, Warning and Status Latch. Contents are specified by the vendor.	0000h
Module FAWS Enable Registers						
A028	1			Module State Enable	GLB_ALARM Enable register for Module State change. One bit for each state.	006Ah
		RO	15~9	Reserved		0
		RW	8	High-Power-down State Enable	1: Enable corresponding signal to assert GLB_ALARM.	0
		RW	7	TX-Turn-off State Enable	1: Enable corresponding signal to assert GLB_ALARM.	0
		RW	6	Fault State Enable	1: Enable corresponding signal to assert GLB_ALARM. (Init Value is 1 to allow GLB_ALARM in startup sequence.)	1
		RW	5	Ready State Enable	1: Enable corresponding signal to assert GLB_ALARM. (Init Value is 1 to allow GLB_ALARM in startup sequence.)	1
		RW	4	TX-Turn-on State Enable	1: Enable corresponding signal to assert GLB_ALARM.	0
		RW	3	TX-Off State Enable	1: Enable corresponding signal to assert GLB_ALARM. (Init Value is 1 to allow GLB_ALARM in startup sequence.)	1
		RW	2	High-Power-up State Enable	1: Enable corresponding signal to assert GLB_ALARM.	0
		RW	1	Low-Power State Enable	1: Enable corresponding signal to assert GLB_ALARM. (Init Value is 1 to allow GLB_ALARM in startup sequence)	1
		RO	0	Initialize State Enable	1: Enable corresponding signal to assert GLB_ALARM.	0
A029	1			Module General Status Enable	1: Enable signal to assert GLB_ALARM. Bits 14~0 are AND'ed with corresponding bits in the Module General Status Latch register; the result is used to assert GLB_ALARM. Bit 15 is the master enable of GLB_ALARM and it is AND'ed with the output of the "OR" gate output in Global Alarm Signal Aggregation, Figure 10.	A7F8h
		RW	15	GLB_ALARM Master Enable	1: Enable.	1
		RO	14	Reserved		0
		RW	13	HW_Interlock	1: Enable.	1
		RO	12~11	Reserved		0
		RW	10	Loss of REFCLK Input Enable	1: Enable.	1
		RW	9	TX_JITTER_PLL_LOL Enable	1: Enable.	1
		RW	8	TX_CMU_LOL Enable	1: Enable.	1
		RW	7	TX_LOSF Enable	1: Enable.	1
		RW	6	TX_HOST_LOL Enable	1: Enable.	1
		RW	5	RX_LOS Enable	1: Enable.	1
		RW	4	RX_NETWORK_LOL Enable	1: Enable.	1
		RW	3	Out of Alignment Enable	1: Enable.	1
		RO	2~0	Reserved		000b
A02A	1			Module Fault Status Enable	These bits are AND'ed with corresponding bits in the Module Fault Latch register; the result is used to assert GLB_ALARM. Optional features that are not implemented shall have their Enable bit forced to '0'.	0062h
		RO	15~7	Reserved		0
		RW	6	PLD or Flash	1: Enable.	1

CFP Module VR 1						
Hex Addr.	Size	Access Type	Bit	Register Name Bit Field Name	Description	Init Value
				Initialization Fault Enable		
		RW	5	Power Supply Fault Enable	1: Enable.	1
		RO	4~2	Reserved		000b
		RW	1	CFP Checksum Fault Enable	1: Enable.	1
		RO	0	Reserved		0
A02B	1			Module Alarm and Warnings 1 Enable	These bits are AND'ed with corresponding bits in the Module Alarm and Warnings 1 Latch register; the result is used to assert GLB_ALARM. Optional features that are not implemented shall have their Enable bit forced to '0'.	0FFFh
		RO	15~12	Reserved		0000b
		RW	11	Mod Temp Hi Alarm Enable	1: Enable.	1
			10	Mod Temp Hi Warn Enable	1: Enable.	1
			9	Mod Temp Low Warning Enable	1: Enable.	1
			8	Mod Temp Low Alarm Enable	1: Enable.	1
			7	Mod Vcc High Alarm Enable	1: Enable.	1
			6	Mod Vcc High Warning Enable	1: Enable.	1
			5	Mod Vcc Low Warning Enable	1: Enable.	1
			4	Mod Vcc Low Alarm Enable	1: Enable.	1
			3	Mod SOA Bias High Alarm Enable	1: Enable.	1
			2	Mod SOA Bias High Warning Enable	1: Enable.	1
			1	Mod SOA Bias Low Warning Enable	1: Enable.	1
			0	Mod SOA Bias Low Alarm Enable	1: Enable.	1
A02C	1			Module Alarms and Warnings 2 Enable	These bits are AND'ed with corresponding bits in the Module Alarm and Warnings 2 Latch register; the result is used to assert GLB_ALARM. Optional features that are not implemented shall have their Enable bit forced to '0'.	00FFh
		RO	15~8	Reserved		00h
		RW	7	Mod Aux 1 High Alarm Enable	1: Enable.	1
			6	Mod Aux 1 High Warning Enable	1: Enable.	1
			5	Mod Aux 1 Low Warning Enable	1: Enable.	1
			4	Mod Aux 1 Low Alarm Enable	1: Enable.	1
			3	Mod Aux 2 High Alarm Enable	1: Enable.	1
			2	Mod Aux 2 High Warning Enable	1: Enable.	1
			1	Mod Aux 2 Low Warning Enable	1: Enable.	1

CFP Module VR 1						
Hex Addr.	Size	Access Type	Bit	Register Name Bit Field Name	Description	Init Value
			0	Mod Aux 2 Low Alarm Enable	1: Enable.	1
A02D [2.2]	1	RW		Vendor Specific FAWS Enable	(Optional) Vendor Specified Module Fault, Alarm, Warning and Status Enable. Contents are specified by the vendor.	0000h
A02E	1	RO		Reserved		0000h
Module Analog A/D Value Registers						
A02F	1	RO	15~0	Module Temp Monitor A/D Value	Internally measured temperature in degrees Celsius, a 16-bit signed integer with LSB = 1/256 of a degree Celsius, representing a total range from -128 to +127 255/256 degC. MSA valid range is between -40 and +125C. Accuracy shall be better than +/- 3 degC over the whole temperature range.	0000h
A030	1	RO	15~0	Module Power supply 3.3 V Monitor A/D Value	Internally measured transceiver supply voltage, a 16-bit unsigned integer with LSB = 0.1 mV, yielding a total measurement range of 0 to 6.5535 Volts. Accuracy shall be better than +/-3% of the nominal value over specified operating temperature and voltage range.	0000h
A031	1	RO	15~0	SOA Bias Current A/D Value	These threshold values are an unsigned 16-bit integer with LSB =2 uA by default, representing 131.07 mA. For the case of coherent module (8003h = 02, 10 or 11) LSB = 8uA, representing a range of current from 0 to 524.280 mA. MSB stored at low address, LSB stored at high address.	0000h
A032	1	RO	15~0	Module Auxiliary 1 Monitor A/D Value	Definition depending upon the designated use.	0000h
A033	1	RO	15~0	Module Auxiliary 2 Monitor A/D Value	Definition depending upon the designated use.	0000h
A034	4	RO		Reserved		
Module PRBS Registers						
A038	1	RO		Network Lane PRBS Data Bit Count	Network lane data bit counter increments when network lane RX PRBS Checker is enabled. It stops counting when RX PRBS Checker is disabled. It uses an ad-hoc format floating point number with 6-bit unsigned exponent and 10-bit unsigned mantissa.	0000h
			15~10	Exponent	6-bit unsigned exponent.	0
			9~0	Mantissa	10-bit mantissa giving better than 0.1% accuracy in bit counts.	0
A039	1	RO		Host Lane PRBS Data Bit Count	Host lane data bit counter increments when host side TX PRBS Checker is enabled. It stops counting when TX PRBS Checker is disabled. It uses an ad-hoc format floating point number with 6-bit unsigned exponent and 10-bit unsigned mantissa.	0000h
			15~10	Exponent	6-bit unsigned exponent	0
			9~0	Mantissa	10-bit mantissa giving better than 0.1% accuracy in bit counts.	0
A03A	2	RO		Reserved		0
Host Configured Receive Optical Power Threshold Values						
A03C [2.2]	1	RW	15~0	Host Configured Receive Optical Power High Alarm Threshold	Valid if the value is between "Host Configured Receive Optical Power High Alarm Permissible Minimum Threshold" (80E8h) and "Host Configured Receive Optical Power High Alarm Permissible Maximum Threshold" (80F0h). Value beyond the threshold shall generate no effect.	0
A03D [2.2]	1	RW	15~0	Host Configured Receive Optical Power High Warning Threshold	Valid if the value is between "Host Configured Optical Power High Warning Permissible Minimum Threshold" (0x80EA) and "Host Configured Optical Power High Warning Permissible Maximum Threshold" (80F2h). Value beyond the threshold shall generate no effect.	0
A03E [2.2]	1	RW	15~0	Host Configured Receive Optical Power Low Warning Threshold	Valid if the value is between "Host Configured Optical Power Low Warning Permissible Minimum Threshold" (80ECh) and "Host Configured Optical Power Low Warning Permissible Maximum Threshold" (80F4h). Value beyond	0

CFP Module VR 1						
Hex Addr.	Size	Access Type	Bit	Register Name Bit Field Name	Description	Init Value
					the threshold shall generate no effect.	
A03F [2.2]	1	RW	15~0	Host Configured Receive Optical Power Low Alarm Threshold	Valid if the value is between "Host Configured Receive Optical Power Low Alarm Permissible Minimum Threshold" (80EEh) and "Host Configured Receive Optical Power Low Alarm Permissible Maximum Threshold" (80F6h). Value beyond the threshold shall generate no effect.	0
Additional Module Control Registers						
A040 [2.4]	1	RW	15~0	Host Lane Output Squelch Control (Optional)	Each bit of this register controls corresponding host lane output squelch respectively. Note that toggling any bit in this register does not change module state. 0: Not squelch, 1: Squelch.	0
A041	1 [2.4]	RW		Network Lane TX Squelch Control (Optional)	This control acts upon individual network lanes. Note that toggling any bit in this register does not change module state.	0000h
		RW	15~0	Network Lane n TX Squelch (Optional)	Bits 15~0 squelches network lane 15~0 respectively. 0: No squelch, 1: Squelch.	0000h
A042 [2.6]	1	RW	15~0	Additional TX Control	Additional host lane controls	
		RW	15~12	Source Lane Select for TxMCLK	4-bit unsigned integer with values of 0 to 15 to select 1 of 16 network lanes as the TxMCLK.	0
		RW	11~8	Source Lane Select for RxMCLK	4-bit unsigned integer with values of 0 to 15 to select 1 of 16 host lanes as the RxMCLK.	0
		RO	7~0	Reserved		0
A043	61	RO		Reserved		

1 **5.6 MLG Management Interface Register Table**

2 *Table 28 MLG VR 1* contains registers to configure and monitor Multi-Link Gearbox
3 features on the module if this feature is supported. (This is a preliminary proposal. If any
4 vendor or user desires to implement it please contact CFP MSA MIS Editor).

5 *Table 28 MLG VR 1*

MLG VR 1						
Hex Addr.	Size	Access Type	Bit	Register Name Bit Field Name	Description	Init Value
MLG Management Interface						
A080 [2.2]	1	RW		Generic MLG Management		0000h
			15	MLG MUX Enable	0: disable mux, 1: enable mux	0
			14	MLG DEMUX Enable	0: disable demux, 1: enable demux	0
			13~10	Reserved		0000b
A081 [2.2]	1	RW	9~0	Lane n Loopback Enable	Lane number n ranges from 9 to 0. 0: disable loopback, 1: enable loopback	0
				MLG MUX 10G Lane Enable		0000h
			15~10	Reserved		00h
A082 [2.2]	1	RW	9~0	Lane n Enable	Lane number n ranges from 9 to 0. 0: disable lane, 1: enable lane	0
				MLG MUX 10G Output Timing Reference		0000h
			15~4	Reserved		000h
			3~0	10G Timing Reference Lane Index	0000b: lane 0, 1001b: lane 9, All other codes undefined.	0000b

MLG VR 1						
Hex Addr.	Size	Access Type	Bit	Register Name Bit Field Name	Description	Init Value
A083 [2.2]	1	RW		MLG MUX Scrambled Idle Enable	Enables or disables the scrambled idle test pattern generated on a given 10G lane	0000
			15~10	Reserved		0
			9~0	Lane n Enable	Lane number n ranges from 9 to 0. 0: disable lane, 1: enable lane	0
A084 [2.2]	4	RO		Reserved	Reserved	0000h
A088 [2.2]	1	RO		MLG MUX Status	MLG MUX status variable	0000h
			15	Scrambled Idle Ability	Indicates whether this implementation of MLG has the ability to generate the 10G scrambled idle test pattern on each 10G lane. 0: has no ability, 1: has the ability	0
			14~10	Reserved		00h
			9~0	Lane n Detected	Indicates whether a 10GBASE-R signal was successfully recovered through CDR and the 66B block lock process on each of the input lanes. Lane number n ranges from 9 to 0. 0: not detected 1: detected.	0
A089 [2.2]	7	RO		Reserved	Reserved	0000h
A090 [2.2]	1	RW		MLG DEMUX 10G Lane Enable	Enables or disables each of the 10G output lanes.	0000h
			15~10	Reserved		00h
			9~0	Lane n Enable	Bit 9 corresponding to Lane 9. Bit 0 corresponding to Lane 0. 0: disable; 1: enable	0
A091 [2.2]	1	RW		MLG DEMUX Scrambled Idle Enable	if implemented, enables or disables the scrambled idle test pattern checker for the indicated 10G lane.	0000h
			15~10	Reserved		00h
			9~0	Lane n Enable	Bit 9 corresponding to Lane 9. Bit 0 corresponding to Lane 0. 0: disable; 1: enable	0
A092 [2.2]	6	RO		Reserved	Reserved	0000h
A098 [2.2]	1	RO		MLG DEMUX Status	Indicates whether the input lanes of the MLG demux are being received at the PMA(n:20). Depending on n, individual lane status variables may be available. Since n is implementation dependent, so are the status registers.	0000h
			15	Scrambled Idle Ability	Indicates whether this implementation of MLG has the ability to generate the 10G scrambled idle test pattern on each 10G lane. 0: has no ability, 1: has the ability	0
			14~4	Reserved		000h
			3~0	Lane n Received	Indicates whether the input lanes of the MLG demux are being received at the PMA(n:20). Depending on n, individual lane status variables may be available. Since n is implementation dependent, so are the status registers. 0: not received, 1: received	0
A099 [2.2]	1	RO		MLG DEMUX Block Lock 1	Indicate whether 66B block lock has been achieved on each of the MLG lanes	0000h
			15~4	Reserved		000h
			3~0	MLG Lane n Achieved	Bit 3 maps to Lane 19, Bit 2 maps to Lane 18, Bit 1 maps to Lane 17, Bit 0 maps to Lane 16. 0: Not Achieved, 1: Achieved	0
A09A [2.2]	1	RO		MLG DEMUX Block Lock 0	Indicate whether 66B block lock has been achieved on each of the MLG lanes	0000h
			15~0	MLG Lane n Achieved	Bit n maps to Lane n, respectively. n ranges from 15 to 0. 0: Not Achieved, 1: Achieved	0
A09B [2.2]	1	RO		MLG DEMUX AM Lock 1	Indicates whether alignment marker lock has been achieved on each of the MLG lanes	0000h
			15~4	Reserved		000h

MLG VR 1						
Hex Addr.	Size	Access Type	Bit	Register Name Bit Field Name	Description	Init Value
			3	MLG Lane 19 Achieved	0: Not Achieved, 1: Achieved	0
			2	MLG Lane 18 Achieved	0: Not Achieved, 1: Achieved	0
			1	MLG Lane 17 Achieved	0: Not Achieved, 1: Achieved	0
			0	MLG Lane 16 Achieved	0: Not Achieved, 1: Achieved	0
A09C [2.2]	1	RO		MLG DEMUX AM Lock 0	Indicates whether alignment marker lock has been achieved on each of the MLG lanes	0000h
			15~0	MLG Lane n Achieved	Bit n maps to Lane n respectively. 0: Not Achieved, 1: Achieved	0
A09D [2.2]	1	RO		MLG DEMUX Lane Alignment Status 1	Indicates whether all 20 lanes have achieved lane alignment marker lock, that the 20 distinct lane markers are received, and inter-MLG lane skew permits the 10GBASE-R signals to be reassembled.	0000h
			15~4	Reserved		000h
			3	MLG Lane 19 Achieved	0: Not Achieved, 1: Achieved	0
			2	MLG Lane 18 Achieved	0: Not Achieved, 1: Achieved	0
			1	MLG Lane 17 Achieved	0: Not Achieved, 1: Achieved	0
			0	MLG Lane 16 Achieved	0: Not Achieved, 1: Achieved	0
A09E [2.2]	1	RO		MLG DEMUX Lane Alignment Status 0	Indicates whether all 20 lanes have achieved lane alignment marker lock, that the 20 distinct lane markers are received, and inter-MLG lane skew permits the 10GBASE-R signals to be reassembled.	0000h
			15~0	MLG Lane n Achieved	Bit n maps to Lane n respectively. 0: Not Achieved, 1: Achieved	0
A09F [2.2]	1	RO		Reserved	Reserved	0000h
A0A0 [2.2]	20	RO		MLG DEMUX BIP Error Counter MLG Lane n	Contains the count of BIP errors counted on each MLG lane. It uses an ad-hoc format floating point number with 6-bit unsigned exponent and 10-bit unsigned mantissa, same format as register A039. Register A0A0h maps to Lane 19, ..., Register A0B3h maps to Lane 0.	0000h
A0B4 [2.2]	12	RO		Reserved		0000h
A0C0 [2.2]	20	RO		MLG DEMUX Logic Lane Mapping on Position n	Indicates which (logical) MLG lane is received in each MLG lane position. Note that the MLG lanes that may be received in a MLG lane position are numbered 0.0, 0.1, 1.0, ..., 9.1. Format: 0x00xy represents logic lane number (x.y). Register A0C0h maps to Lane 19, ..., Register A0D3h maps to Lane 0.	0000h
A0D4 [2.2]	12	RO		Reserved		0000h
A0E0 [2.2]	10	RO		MLG DEMUX Scrambled Idle Error Lane n	Register A0E0h contains value of Lane 9. ... Register A0E9h contains value of Lane 0.	0000h
A0EA	22	RO		Reserved		0000h

1 5.7 Network Lane Specific Register Tables

2 Table 29 Network Lane VR 1 and Table 30 Network Lane VR 2 contain network lane
3 specific registers. Each register listed is the n^{th} element of a 16-register array, representing
4 the n^{th} network lane of N total network lanes. The maximum N CFP MSA specifies is 16. All
5 the register information is detailed in the description column. The registers of all the unused
6 lanes shall be set to zero initial value.

7

1 In CFP MSA MIS Version 2.2, Table 31 Network Lane VR 3 (Optional) is added to support
2 optional Vendor Specific Network Lane FAWS.

3 Table 29 Network Lane VR 1

Network Lane VR 1						
Hex Addr	Size	Access Type	Bit	Register Name Bit Field Name	Description	Init Value
Network Lane FAWS Registers						
A200	16	RO		Network Lane n Alarm and Warning	16 registers, one for each network lane, represent 16 network lanes. n = 0, 1, ..., N-1. N_max = 16. Actual N is module dependent.	0000h
			15	Bias High Alarm	0: Normal; 1: Asserted. (FAWS_TYPE_C)	0
			14	Bias High Warning	0: Normal; 1: Asserted. (FAWS_TYPE_C)	0
			13	Bias Low Warning	0: Normal; 1: Asserted. (FAWS_TYPE_C)	0
			12	Bias Low Alarm	0: Normal; 1: Asserted. (FAWS_TYPE_C)	0
			11	TX Power High Alarm	0: Normal; 1: Asserted. (FAWS_TYPE_C)	0
			10	TX Power High Warning	0: Normal; 1: Asserted. (FAWS_TYPE_C)	0
			9	TX Power Low Warning	0: Normal; 1: Asserted. (FAWS_TYPE_C)	0
			8	TX Power Low Alarm	0: Normal; 1: Asserted. (FAWS_TYPE_C)	0
			7	Laser Temperature High Alarm	0: Normal; 1: Asserted. (FAWS_TYPE_B)	0
			6	Laser Temperature High Warning	0: Normal; 1: Asserted. (FAWS_TYPE_B)	0
			5	Laser Temperature Low Warning	0: Normal; 1: Asserted. (FAWS_TYPE_B)	0
			4	Laser Temperature Low Alarm	0: Normal; 1: Asserted. (FAWS_TYPE_B)	0
			3	RX Power High Alarm	0: Normal; 1: Asserted. (FAWS_TYPE_B)	0
			2	RX Power High Warning	0: Normal; 1: Asserted. (FAWS_TYPE_B)	0
			1	RX Power Low Warning	0: Normal; 1: Asserted. (FAWS_TYPE_B)	0
0	RX Power Low Alarm	0: Normal; 1: Asserted. (FAWS_TYPE_B)	0			
A210	16	RO		Network Lane n Fault and Status	16 registers, one for each network lane, represent 16 network lanes. n = 0, 1, ..., N-1. N_max = 16. Actual N is module dependent.	0000h
			15	Lane TEC Fault	0: Normal; 1: Asserted. (FAWS_TYPE_B)	0
			14	Lane Wavelength Unlocked Fault	0: Normal; 1: Asserted. (FAWS_TYPE_C)	0
			13	Lane APD Power Supply Fault	0: Normal; 1: Asserted. (FAWS_TYPE_B)	0
			12-8	Reserved		0
			7	Lane TX_LOSF	0: Normal; 1: Asserted. (PMD) (FAWS_TYPE_C)	0
			6	Lane TX_LOL	0: Normal; 1: Asserted. (Network) (FAWS_TYPE_B)	0
			5	Reserved		0
			4	Lane RX_LOS	0: Normal; 1: Asserted. (FAWS_TYPE_B)	0
			3	Lane RX_LOL	0: Normal; 1: Asserted. (FAWS_TYPE_B)	0
			2	Lane RX FIFO error	0: Normal, 1: Error. (FAWS_TYPE_B)	0
			1	Reserved.		0
			0	Reserved.		0
Network Lane FAWS Latch Registers						
A220	16	RO/LH/ COR		Network Lane n Alarm and Warning Latch	16 registers, one for each network lane, represent 16 network lanes. n = 0, 1, ..., N-1. N_max = 16. Actual N is module dependent.	0000h
			15	Bias High Alarm Latch	1: Latched.	0
			14	Bias High Warning Latch	1: Latched.	0
			13	Bias Low Warning Latch	1: Latched.	0
			12	Bias Low Alarm Latch	1: Latched.	0
			11	TX Power High Alarm Latch	1: Latched.	0
10	TX Power High Warning Latch	1: Latched.	0			

Network Lane VR 1						
Hex Addr	Size	Access Type	Bit	Register Name Bit Field Name	Description	Init Value
			9	TX Power Low Warning Latch	1: Latched.	0
			8	TX Power Low Alarm Latch	1: Latched.	0
			7	Laser Temperature High Alarm Latch	1: Latched.	0
			6	Laser Temperature High Warning Latch	1: Latched.	0
			5	Laser Temperature Low Warning Latch	1: Latched.	0
			4	Laser Temperature Low Alarm Latch	1: Latched.	0
			3	RX Power High Alarm Latch	1: Latched.	0
			2	RX Power High Warning Latch	1: Latched.	0
			1	RX Power Low Warning Latch	1: Latched.	0
			0	RX Power Low Alarm Latch	1: Latched.	0
A230	16			Network Lane n Fault and Status Latch	16 registers, one for each network lane, represent 16 network lanes. n = 0, 1, ..., N-1. N_max = 16. Actual N is module dependent.	0000h
		RO/LH/COR	15	Lane TEC Fault Latch	1: Latched.	0
		RO/LH/COR	14	Lane Wavelength Unlocked Fault Latch	1: Latched.	0
		RO/LH/COR	13	Lane APD Power Supply Fault Latch	1: Latched.	0
		RO	12~8	Reserved		0
		RO/LH/COR	7	Lane TX_LOSF Latch	1: Latched.	0
		RO/LH/COR	6	Lane TX_LOL Latch	1: Latched.	0
		RO	5	Reserved		0
		RO/LH/COR	4	Lane RX_LOS Latch	1: Latched.	0
		RO/LH/COR	3	Lane RX_LOL Latch	1: Latched.	0
		RO/LH/COR	2	Lane RX FIFO Status Latch	1: Latched.	0
		RO	1~0	Reserved		0
Network Lane FAWS Enable Registers						
A240	16	RW		Network Lane n Alarm and Warning Enable	16 registers, one for each network lane, represent 16 network lanes. n = 0, 1, ..., N-1. N_max = 16. Actual N is module dependent.	FFFFh
			15	Bias High Alarm Enable	0: Disable, 1: Enable.	1
			14	Bias High Warning Enable	0: Disable, 1: Enable.	1
			13	Bias Low Warning Enable	0: Disable, 1: Enable.	1
			12	Bias Low Alarm Enable	0: Disable, 1: Enable.	1
			11	TX Power High Alarm Enable	0: Disable, 1: Enable.	1
			10	TX Power High Warning Enable	0: Disable, 1: Enable.	1
			9	TX Power Low Warning Enable	0: Disable, 1: Enable.	1
			8	TX Power Low Alarm Enable	0: Disable, 1: Enable.	1
			7	Laser Temperature High Alarm Enable	0: Disable, 1: Enable.	1
			6	Laser Temperature High Warning Enable	0: Disable, 1: Enable.	1
			5	Laser Temperature Low Warning Enable	0: Disable, 1: Enable.	1
			4	Laser Temperature Low Alarm Enable	0: Disable, 1: Enable.	1
			3	RX Power High Alarm Enable	0: Disable, 1: Enable.	1
			2	RX Power High Warning Enable	0: Disable, 1: Enable.	1
			1	RX Power Low Warning Enable	0: Disable, 1: Enable.	1
			0	RX Power Low Alarm Enable	0: Disable, 1: Enable.	1
A250	16			Network Lane n Fault and Status Enable	16 registers, one for each network lane, represent 16 network lanes. n = 0, 1, ...,	E0DC h

Network Lane VR 1						
Hex Addr	Size	Access Type	Bit	Register Name Bit Field Name	Description	Init Value
					N-1. N_max = 16. Actual N is module dependent.	
		RW	15	Lane TEC Fault Enable	0: Disable, 1: Enable.	1
		RW	14	Lane Wavelength Unlocked Fault Enable	0: Disable, 1: Enable.	1
		RW	13	Lane APD Power Supply Fault Enable	0: Disable, 1: Enable.	1
		RO	12~8	Reserved		0
		RW	7	Lane TX_LOSF Enable	0: Disable, 1: Enable.	1
		RW	6	Lane TX_LOL Enable	0: Disable, 1: Enable.	1
		RO	5	Reserved		0
		RW	4	Lane RX_LOS Enable	0: Disable, 1: Enable.	1
		RW	3	Lane RX_LOL Enable	0: Disable, 1: Enable.	1
		RW	2	Lane RX FIFO Status Enable	0: Disable, 1: Enable.	1
		RO	1~0	Reserved		0
A260	32	RO		Reserved		0000h

1

Table 30 Network Lane VR 2

Network Lane VR 2						
Hex Addr	Size	Access Type	Bit	Register Name Bit Field Name	Description	Init Value
Network Lane Control Registers						
A280	16			Network Lane n FEC Controls	16 registers, one for each network lane, represent 16 network lanes. n = 0, 1, ..., N-1. N_max = 16. Actual N is module dependent.	0000h
		RW	15~8	Phase Adjustment	This signed 8-bit value represents the phase set point of receive path quantization relative to 0.5 UI, given by: 0.5UI + (Phase Adjustment) / 256 UI. (Optional function) Set this value = -128 (80h) to de-activate this function.	00h
		RW	7~0	Amplitude Adjustment	This signed 8-bit value represents the amplitude threshold of relative amplitude of receive path quantization relative to 50% (Optional function), given by: 50% + (Amplitude Adjustment) / 256 * 100%. (Optional function) Set this value = -128 (80h) to de-activate this function.	00h
A290	16	RO	15~0	Network Lane n PRBS Rx Error Count	16 registers, one for each network lane, represent 16 network lanes. n = 0, 1, ..., N-1. N_max = 16. Actual N is module dependent. This counter increases upon detection of each network lane RX checker error when RX PRBS Checker is enabled. It uses an ad-hoc floating point number format with a 6-bit unsigned exponent and a 10-bit unsigned mantissa. Base of exponent is 2 and Mantissa radix is 0.	0000h
			15~10	Exponent	6-bit unsigned exponent.	0
			9~0	Mantissa	10-bit mantissa giving better than 0.1% accuracy in bit counts.	0
Network Lane A/D value Measurement Registers						

Network Lane VR 2						
Hex Addr	Size	Access Type	Bit	Register Name Bit Field Name	Description	Init Value
A2A0	16	RO	15~0	Network Lane n Laser Bias Current monitor A/D value	16 registers, one for each network lane, represent 16 network lanes. n = 0, 1, ..., N-1. N_max = 16. Actual N is module dependent. Measured laser bias current in uA, a 16-bit unsigned integer with LSB = 2 uA, representing a total measurement range of 0 to 131.072 mA. If Ethernet Application Code (8003h) is "-Coherent", then LSB is changed to 100uA. (Range is expanded to 0 ~ 6553.5 mA). Minimum accuracy shall be +/- 10% of the nominal value over temperature and voltage.	0000h
A2B0	16	RO	15~0	Network Lane n Laser Output Power monitor A/D value	16 registers, one for each network lane, represent 16 network lanes. n = 0, 1, ..., N-1. N_max = 16. Actual N is module dependent. Measured TX output power in uW, a 16-bit unsigned integer with LSB = 0.1 uW, representing a range of laser output power from 0 to 6.5535 mW (-40 to +8.2 dBm). Accuracy must be better than +/- 2 dB over temperature and voltage range. Relative accuracy must be better than 1 dB.	0000h
A2C0	16	RO	15~0	Network Lane n Laser Temp Monitor A/D value	16 registers, one for each network lane, represent 16 network lanes. n = 0, 1, ..., N-1. N_max = 16. Actual N is module dependent. Internally measured temperature in degrees Celsius, a 16-bit signed integer with LSB = 1/256 of a degree Celsius, representing a total range from -128 to +127 255/256 degC. MSA valid range is between -40 and +125C. Minimum accuracy is +/- 3 degC over temperature range.	0000h
A2D0	16	RO	15~0	Network Lane n Receiver Input Power monitor A/D value	16 registers, one for each network lane, represent 16 network lanes. n = 0, 1, ..., N-1. N_max = 16. Actual N is module dependent. Measured received input power in uW, a 16-bit unsigned integer with LSB = 0.1 uW, representing a power range from 0 to 6.5535 mW (-40 to +8.2 dBm). Value can represent either average received power or OMA depending upon how bit 3 of Register 806Eh is set. Accuracy must be better than +/- 2dB over temperature and voltage. This accuracy shall be maintained for input power levels up to the lesser of maximum transmitted or maximum received optical power per the appropriate standard. It shall be maintained down to the minimum transmitted power minus cable plant loss per the appropriate standard. Relative accuracy shall be better than 1 dB over the received power range, temperature range, voltage range, and the life of the product.	0000h
A2E0	32	RO	15~0	Reserved		0000h

1

Table 31 Network Lane VR 3 (Optional)

Network Lane VR 3						
-------------------	--	--	--	--	--	--

Hex Addr	Size	Access Type	Bit	Register Name Bit Field Name	Description	Init Value
Network Lane n Vendor Specific FAWS Registers						
A300 [2.2]	16	RO	15~0	Network Lane n Vendor Specific FAWS	16 registers, one for each network lane, represent 16 network lanes. n = 0, 1, ..., N-1. N_max = 16. Actual N is module dependent. For every bit in each register, 0: Normal; 1: Asserted.	0000h
A310 [2.2]	16	RO/LH/COR	15~0	Network Lane n Vendor Specific FAWS Latch	16 registers, one for each network lane, represent 16 network lanes. n = 0, 1, ..., N-1. N_max = 16. Actual N is module dependent. For every bit in each register, 0: Normal; 1: Asserted.	0000h
A320 [2.2]	16	RW	15~0	Network Lane n Vendor Specific FAWS Enable	16 registers, one for each network lane, represent 16 network lanes. n = 0, 1, ..., N-1. N_max = 16. Actual N is module dependent. For every bit in each register, 0: Disable; 1: Enable.	0000h
A330	16	RO	15~0	Reserved		0000h
A340 [2.2]	16	RO	15~0	Network Lane n Vendor Specific Auxiliary 1 Monitor A/D Value	Definition provided by vendor. FAWS mapped to Network Lane n Vendor Specific FAWS bit 15.	0000h
A350 [2.2]	16	RO	15~0	Network Lane n Vendor Specific Auxiliary 2 Monitor A/D Value	Definition provided by vendor. FAWS mapped to Network Lane n Vendor Specific FAWS bit 14.	0000h
A360 [2.2]	16	RO	15~0	Network Lane n Vendor Specific Auxiliary 3 Monitor A/D Value	Definition provided by vendor. FAWS mapped to Network Lane n Vendor Specific FAWS bit 13.	0000h
A370 [2.2]	16	RO	15~0	Network Lane n Vendor Specific Auxiliary 4 Monitor A/D Value	Definition provided by vendor. FAWS mapped to Network Lane n Vendor Specific FAWS bit 12.	0000h

1 **5.8 Host lane Specific Register Table**

2 *Table 32 Host Lane VR 1* contains host lane specific registers. Each register listed is the
3 mth element of a 16-register array, representing the mth host lane of M total host lanes. The
4 maximum M CFP MSA specifies is 16. All the register information is detailed in the
5 description column. The registers of all the unused lanes shall be set to zero initial value.

6 *Table 32 Host Lane VR 1*

Host Lane VR 1						
Hex Addr	Size	Access Type	Bit	Register Name Bit Field Name	Description	Init Value
Host Lane FAWS Status Registers						
A400	16			Host Lane m Fault and Status	16 registers, one for each host lane, represent 16 host lanes. m = 0, 1, ..., M-1. M_max = 16. Actual M is module dependent.	0000h
		RO	15~2	Reserved		0
		RO	1	Lane TX FIFO Error	Lane specific TX FIFO error. (FAWS_TYPE_B) 0: Normal, 1: Error.	0
		RO	0	TX_HOST_LOL	TX IC Lock Indicator, (FAWS_TYPE_B) 0: Locked, 1: Loss of lock.	0
Host Lane FAWS Latch Registers						
A410	16			Host Lane m Fault and Status Latch	16 registers, one for each host lane, represent 16 host lanes. m = 0, 1, ..., M-1. M_max = 16. Actual M is module dependent.	0000h
		RO	15~2	Reserved		0
		RO/LH/COR	1	Lane TX FIFO Error Latch	1: Latched.	0
		RO/LH/COR	0	TX_HOST_LOL Latch	1: Latched.	0
Host Lane FAWS Enable Registers						
A420	16			Host Lane m Fault and Status Enable	16 registers, one for each host lane, represent 16 host lanes. m = 0, 1, ..., M-1. M_max = 16. Actual M is	0001h

Host Lane VR 1								
Hex Addr	Size	Access Type	Bit	Register Name Bit Field Name	Description	Init Value		
					module dependent.			
		RO	15~2	Reserved		0		
		RW	1	Lane TX FIFO Error Enable	1: Enable.	0		
		RW	0	TX_HOST_LOL Enable	1: Enable.	1		
Host Lane Digital PRBS Registers								
A430	16	RO		Host Lane m PRBS TX Error Count	16 registers, one for each host lane, represent 16 host lanes. m = 0, 1, ..., M-1. M_max = 16. Actual M is module dependent. This counter increases upon detection of each RX checker error when host lane TX PRBS checker is enabled. It stops counting when the TX PRBS checker is disabled. It uses an ad-hoc floating point number format with a 6-bit unsigned exponent and a 10-bit unsigned mantissa.	0000h		
			15~10	Exponent	6-bit unsigned exponent.	0		
			9~0	Mantissa	10-bit mantissa giving better than 0.1% accuracy in bit counts.	0		
Host Lane Control Registers								
A440	16			Host Lane m Control	16 registers, one for each host lane, represent 16 host lanes. m = 0, 1, ..., M-1. M_max = 16. Actual M is module dependent. In order to start a module with proper CTLE operation the following table of Init Value is recommended.	See below table		
					8198h.7~6	Description	Init Value for CAUI4	For CAUI10
					00b	No eq. supported	0000h	0007h
					01b	Manual (program) only	8200h	0007h
					10b	Automatic (adaptive) only	RO/00h	0007h
					11b	Both	RO/00h	0007h
						0: Automatic (aka Adaptive) or no equalization at all, if only manual mode is supported writing 0 to this bit host control shall be disabled and equalization setting shall return to initial value. 1: Manual (aka Programmable). ** Read only if only Automatic mode is supported. The Init Value shall be dependent on register 8198h.7~6 as follows.		0
					8198h.7~6	Description	Init Value for CAUI4	For CAUI10
					00b	No eq. supported	0	0
					01b	Manual (Program) only	1	0
					10b	Automatic (Adaptive) only	0	0
					11b	Both	0	0
		RO	14~13	Reserved				0
		RW	12~9	Signal Equalization Gain	A 4-bit unsigned field of Signal Equalization Gain defined by IEEE802.3bm represents the CTLE equalization gain at 14 GHz relative to 0.1 GHz. Note that if module only supports Automatic mode, writing to these bits shall be no effect.	0000b or 0001b		
					Code	Description		
					111xb~1010b	Reserved by IEEE and CFP MSA		
					1001b~0001b	Write to set 9 ~ 1 dB of gain in manual mode. Read to get eq. setting in automatic mode. These values are compatible with IEEE 802.3bm.		
					0000b	Write to set no eq. in manual mode.		

Host Lane VR 1						
Hex Addr	Size	Access Type	Bit	Register Name Bit Field Name	Description	Init Value
					Read this value to indicate no eq. is supported or a non-readable CTLE gain available from vendor's IC. Not specified by IEEE 802.3bm.	
		RW	8	Signal Equalization Gain	For some device backward compatibility bit 8 is allocated to represent a 0.5 dB increment to CTLE setting.	0b
		RO	7~4	Reserved		0000b
		RW	3~0	Signal Pre/De-emphasis	4-bit unsigned number N represents the pre/de-emphasis applied. Pre/De-emphasis = N * 0.5 dB, N = 0, ..., 15. The power on initial value is 3.5 dB with a value of 0111b in this field for CAUI-10, 0 dB or 0000b for CAUI4.	0000b or 0111b
A450	48	RO		Reserved		0000

1
2

1 **6 MSA-100GLH AND OTHER COHERENT MODULE MANAGEMENT INTERFACE**

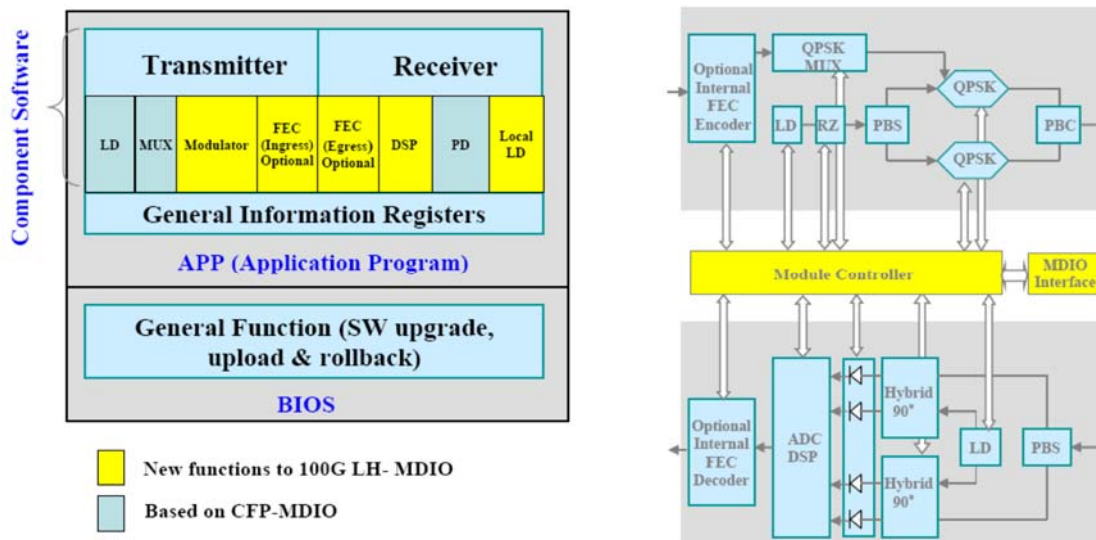
2 **6.1 Overview**

3 This section specifies an extension to the CFP MSA Management Interface Specification
4 for supporting the OIF 100G Long-Haul DWDM Transmission Module Electro-mechanical
5 MSA (MSA-100GLH) (Reference 6). The MSA-100GLH specifies the use of MDIO [2] as
6 the management interface between a Host and MSA-100GLH Module. The intention of
7 including the MSA-100GLH management interface specification in the CFP MSA MIS
8 document is to enable a common host-module management interface implementation that
9 encompasses both 100Gb/s client and line-side optical transmission module applications.

10
11 MDIO registers and functionality required for supporting the MSA-100GLH application are
12 specified in this section. Optical transport networking and modulation format dependent
13 register options are also specified. This specification strives to remain modulation format
14 and data rate agnostic whenever practical to maximize applicability to future market
15 requirements.

16
17 The MSA-100GLH module management software architecture and logical relationship to
18 the MSA-100GLH module hardware architecture are illustrated in
19 . The MSA-100GLH module software and hardware architectures depicted in this Figure
20 are for illustration purposes only and do not imply implementation requirements. When
21 multiple MSA-100GLH modules are connected via a single bus, a particular MSA-100GLH
22 module may be selected by using the MDIO Physical Port Address pins.

23
24 *Figure 16 MSA-100GLH Module Management Architecture*



1 **6.2 MSA-100GLH Module Management Interface Information & Functionality**

2 The following management information and functionality are specified for the MSA-100GLH
3 Management Interface in addition to the management information and functionality
4 specified in the Sections 4 and 5 of this document. The additional information and
5 functionality specified in this section are categorized as follows:

- 6
- 7 1. Module Base and Extended ID Information
- 8 2. Module Level Commands, Control & FAWS
- 9 3. MDIO Write Flow Control
- 10 4. Module Additional Monitored Parameters
- 11 5. Performance Monitoring (including optional FEC, OTN and modulation format
12 dependent optical parameters)
- 13 6. Software Upgrade Capability
- 14 7. Auxiliary Channel over MDIO (Optional)
- 15 8. Module-to-Host Generic Data Upload Capability
- 16 9. Bulk Data Transfer Procedure

17 **6.2.1 Module Base and Extended ID Information**

18 Base and extended information registers specified in Section 5 are modified to support the
19 MSA-100GLH application from CFP MSA MIS Version 2.2.

20 **6.2.2 Module Command, Control & FAWS**

21 Module level command setup, control and status registers defined in Sections 4 and 5 are
22 modified and extended to support the MSA-100GLH application. Additional control
23 parameters necessary for the MSA-100GLH application include:

- 24 - Password Control (Option);
- 25 - TX laser frequency and power control;
- 26 - RX laser frequency control;
- 27 - FEC control;
- 28 - Host lane signal equalization control.

29
30 These major additions stem from the MSA-100GLH module having a tunable frequency for
31 DWDM operation and having an additional laser for the Network Receive interface for
32 coherent operation.

33 **6.2.2.1 Password Control (Optional)**

34 Password control is optionally provided in this MSA to allow vendor and user control of access to
35 information in the register shadow. Registers B000h ~ B001h are reserved for the password entry. If
36 this option is not supported, these registers shall be read as 00000000h. Otherwise, these registers
37 shall be read as FFFFFFFFh. Register access under password control is shown in Table 33
38 Register Access Password Requirements. If this option is not supported, any entries in the
39 table that are not marked as N/A do not require a password.

40

1 When password control is supported, the password entry registers are write-only (WO) and shall
2 always read FFFFFFFFh. Any values written to these registers are retained until Reset or rewritten
3 by the host. Password is a 2-word long data with the most significant word occupying the lower
4 register address. Password values for the user shall be in the range of 00000000h to 7FFFFFFFh.
5 Password values for the vendor shall be in the range of 80000000h to FFFFFFFFh. MSA defines the
6 default user password value as 01011100h. Table 11: Register Access Password lists the access
7 control required for MSA defined registers.

8 **6.2.2.1.1 Power On/Reset Password Initialization**

9 On power up and reset, the Password Entry registers shall be initialized to 00000000h. The
10 initialized contents of the Password Entry registers are compared to the previously stored password
11 value. If the previously stored password value is 00000000h, full access to password protected
12 registers shall be allowed. Note that even though the internal contents of these registers have been
13 initialized to 00000000h, a read of these registers by the host shall return FFFFFFFFh.

14 **6.2.2.1.2 Password Entry (need to put same change in as that in Chap 4)**

15 The password shall be entered by writing a value to registers B000h and B001h. If the
16 contents of both registers match to the previously stored password value, full access to
17 password protected registers shall be allowed. If the contents do not match to the
18 previously stored password, any access to password protected registers shall not be
19 allowed.

20 **6.2.2.1.3 Password Change**

21 The user password can be changed by writing the new value to the Password Change registers
22 B002h and B003h after a password entry is successful. The new password value shall be stored and
23 take effect only after writing the Save User Password command to register B004h.

24 Table 33 Register Access Password Requirements

Register	Read	Write	Restore	Save	Note
Module NVR Tables	Not Required	N/A	N/A	N/A	*Using register A004h to operate
Vendor NVR Tables	Required	N/A	N/A	N/A	
User NVR Tables	Required	Required	Required *	Required *	
Module VR Tables	Not Required	Not Required	N/A	N/A	

25

26 **6.2.2.2 Laser Frequency Setting Definition**

27 The TX laser frequency as a function of channel number is defined as:
28 $\text{Freq(GHz)} = (\text{Tx_chan_no (B400h.9~0)} - 1) * \text{Tx_grid_spacing (B400h.15~13)} +$
29 $\text{chan_1_freq (818Ah*1000, 818Ch/20)} + \text{Tx_fine_tune_freq (B430h/1000)}$

30

31 The RX laser frequency as a function of channel number is defined as:

32

1 Freq(GHz) = (Rx_chan_no (B420h.9~0) - 1) * Rx_grid_spacing (B420h.15~13) +
2 chan_1_freq (818Ah*1000, 818Ch/20) + Rx_fine_tune_freq (B440h/1000)

3
4 The fine tune frequency registers B430h(TX) and B440h(Rx) should be set under the low
5 power state to avoid the mis-setting of laser frequency.

6
7 Related registers channel number, grid spacing (B400h, B420h) and fine frequency tuning
8 (B430h, B440h) are settable parameters from the host. First channel and last channel
9 frequency (for each system vendor) are defined by the module at registers 818Ah, 818Ch,
10 818Eh and 818Gh. Registers B450h ~ B480h give current laser frequency settings in the
11 module.

12
13 Note: Registers 0x8012h, 0x8014h and 0x8016h provide module transmitter spectral
14 characteristics information for all applications. However, they do not have a role in
15 transmitter wavelength provisioning between host and module.

16 **6.2.2.3 MSA-100GLH Module Global Alarm System Logic**

17 Modifications to the CFP Global Alarm system logic specified in Section 6.2.2.3 for the
18 MSA-100GLH module application is described below.

19
20 The MSA-100GLH module uses GLB_ALARM, to alert the Host any condition outside normal
21 operating conditions. The GLB_ALARM is related to all the contributing FAWS registers
22 including the status registers, the latch registers, and the enable registers, all listed in Table
23 34 MSA-100GLH Global Alarm Related Registers.

24
25 Figure 17 MSA-100GLH Module Global Alarm Signal Aggregation depicts the global alarm
26 signal aggregation logic. In this system, status registers drive the latch registers on a bit-
27 by-bit basis. The logic OR of all enabled bits in the latched registers drives GLB_ALARM.
28 This simple and flat OR combinational logic minimizes the assert time after a global alarm
29 condition happens.

30
31 Also shown in, the Host shall control which latched bits resulting in a global alarm assertion
32 by asserting individual bits in the enable registers. All enabling bits shall be volatile and
33 startup with initial values defined in Table 27 CFP Module VR 1.

34
35 When GLB_ALARM alerts the Host to a latched condition, the Host may query the latched
36 registers for the condition. The latched bits are cleared on the read of the corresponding
37 register. Thus, a read of all latched registers can be used to clear all latched register bits
38 and to de-assert GLB_ALARM.

39
40
41 Table 34 MSA-100GLH Global Alarm Related Registers

Description	CFP Register Addresses
-------------	------------------------

Summary Registers	
Global Alarm Summary	B018h
Network Lane Alarm and Warning 1 Summary	B019h
Network Lane Fault and Status Summary	B01Ah
Host Lane Fault and Status Summary	B01Bh
Network Lane Alarm and Warning 2 Summary	B01Ch
Status Registers	
Module State	B016h
Module General Status	B01Dh
Module Fault Status	B01Eh
Module Alarm and Warning 1	B01Fh
Module Alarm and Warning 2	B020h
Module Extended Functions	B050h
Network Lane n Alarm and Warning 1	B180h + n, n = 0, 1, ..., N-1.
Network Lane n Alarm and Warning 2	B190h + n, n = 0, 1, ..., N-1.
Network Lane n Fault and Status	B1A0h + n, n = 0, 1, ..., N-1.
Network Lane TX Alignment Status	B210h + n, n = 0, 1, ..., N-1.
Network Lane TX Alignment Status PM Interval	B240h + n, n = 0, 1, ..., N-1.
Network Lane RX Alignment Status	B250h + n, n = 0, 1, ..., N-1.
Network Lane RX Alignment Status PM Interval	B280h + n, n = 0, 1, ..., N-1.
Network Lane RX OTN Status	B580h + n, n = 0, 1, ..., N-1.
Network Lane RX OTN Status PM Interval	B5B0h + n, n = 0, 1, ..., N-1.
Host Lane m Fault and Status	B600h + m, m = 0, 1, ..., M-1.
Host Lane TX Alignment Status	B650h + m, m = 0, 1, ..., M-1.
Host Lane TX Alignment Status PM Interval	B680h + m, m = 0, 1, ..., M-1.
Host Lane RX Alignment Status	B690h + m, m = 0, 1, ..., M-1.
Host Lane RX Alignment Status PM Interval	B6C0h + m, m = 0, 1, ..., M-1.
Host Lane TX OTN Status	B700h + m, m = 0, 1, ..., M-1.
Host Lane TX OTN Status PM Interval	B730h + m, m = 0, 1, ..., M-1.
Latch Registers	
Module State Latch	B022h
Module General Status Latch	B023h
Module Fault Status Latch	B024h
Module Alarm and Warning 1 Latch	B025h
Module Alarm and Warning 2 Latch	B026h
Module Extended Functions Latch	B054h
Network Lane n Alarm and Warning 1 Latch	B1B0h + n, n = 0, 1, ..., N-1.
Network Lane n Alarm and Warning 2 Latch	B1C0h + n, n = 0, 1, ..., N-1.
Network Lane n Fault and Status Latch	B1D0h + n, n = 0, 1, ..., N-1.
Network Lane TX Alignment Status Latch	B220h
Network Lane RX Alignment Status Latch	B260h
Network Lane RX OTN Status Latch	B590h + n, n = 0, 1, ..., N-1.
Host Lane m Fault and Status Latch	B610h + m, m = 0, 1, ..., M-1.
Host Lane TX Alignment Status Latch	B660h
Host Lane RX Alignment Status Latch	B6A0h
Host Lane TX OTN Status Latch	B710h + m, m = 0, 1, ..., M-1.
Enable Registers	
Module State Enable	B028h
Module General Status Enable	B029h
Module Fault Status Enable	B02Ah
Module Alarm and Warning 1 Enable	B02Bh
Module Alarm and Warning 2 Enable	B02Ch
Module Extended Functions Enable	B057h
Network Lane n Alarm and Warning 1 Enable	B1E0h + n, n = 0, 1, ..., N-1.
Network Lane n Alarm and Warning 2 Enable	B1F0h + n, n = 0, 1, ..., N-1.
Network Lane n Fault and Status Enable	B200h + n, n = 0, 1, ..., N-1.
Network Lane TX Alignment Status Enable	B230h
Network Lane RX Alignment Status Enable	B270h
Network Lane RX OTN Status Enable	B5A0h + n, n = 0, 1, ..., N-1.
Host Lane m Fault and Status Enable	B620h + m, m = 0, 1, ..., M-1.
Host Lane TX Alignment Status Enable	B670h

Host Lane RX Alignment Status Enable	B6B0h
Host Lane TX OTN Status Enable	B720h + m, m= 0, 1, ..., M-1.
Notes: 1. "n" denotes the network lane index. 2. "N" is the total number of network lanes supported in a MSA-100GLH module. The maximum value of N is 16. 3. "m" denotes the host lane index. 4. "M" is the total number of host lanes supported in a MSA-100GLH module. The maximum value of M is 16.	

1 In order to minimize the number of reads for locating the origin of the global alarm
 2 condition, the Host may use the global alarm query hierarchy listed in Table 35 Global
 3 Alarm Query Hierarchy.

4 Table 35 Global Alarm Query Hierarchy

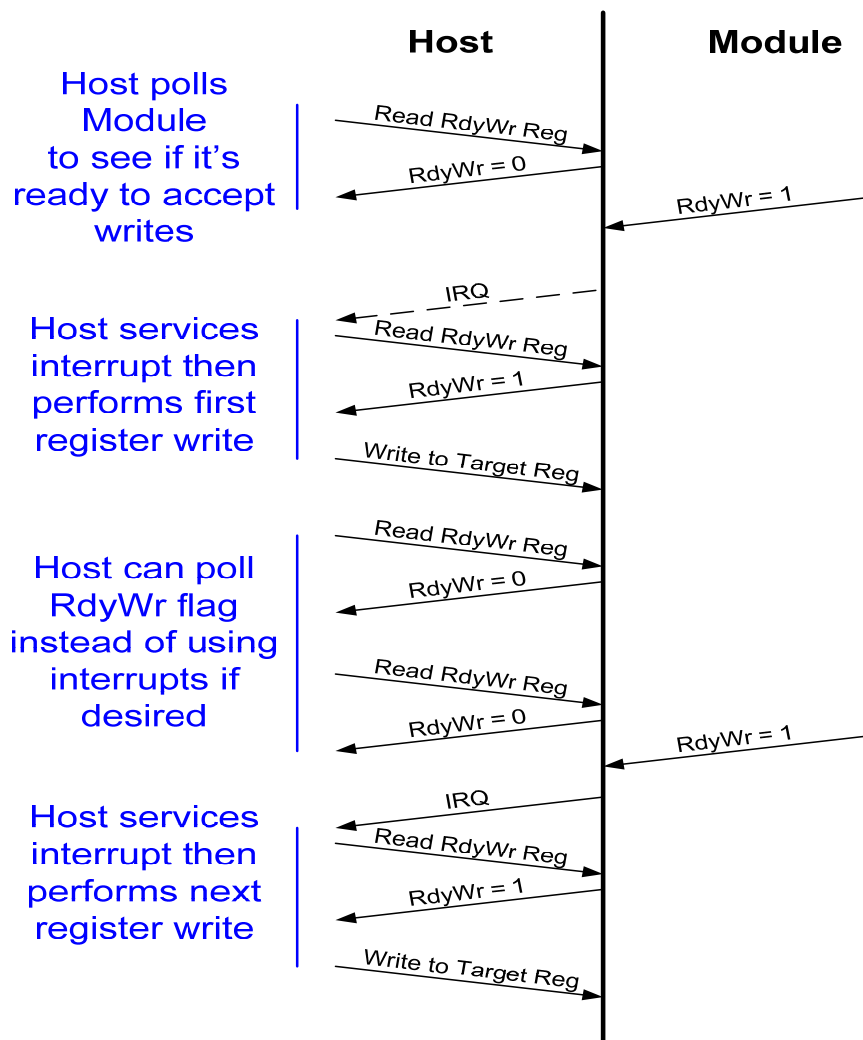
Query Level	CFP Register Name	CFP Register Addresses
1	Global Alarm Summary	B018h
2	Network Lane Alarm and Warning 1 Summary	B019h
2	Network Lane Fault and Status Summary	B01Ah
2	Host Lane Fault and Status Summary	B01Bh
2	Network Lane Alarm and Warning 2 Summary	B01Ch
3	Network Lane n Alarm and Warning 1 Latch	B1B0h + n, n = 0, 1, ..., N-1.
3	Network Lane n Alarm and Warning 2 Latch	B1C0h + n, n = 0, 1, ..., N-1.
3	Network Lane n Fault and Status Latch	B1D0h + n, n = 0, 1, ..., N-1.
3	Host Lane m Fault and Status Latch	B610h + m, m = 0, 1, ..., M-1.
Notes: 1. "n" denotes the network lane index. 2. "N" is the total number of network lanes supported in a MSA-100GLH module. The maximum N value is 16. 3. "m" denotes the host lane index. 4. "M" is the total number of host lanes supported in a MSA-100GLH module. The maximum M value is 16.		

5
6

1 **6.2.3 MDIO Write Flow Control**

2 MDIO Write Flow Control functionality is specified to prevent possible overrun of
3 commands from the host to module that may take relatively longer response time due to
4 software processing, such as setting a laser channel. MDIO Write Flow Control is achieved
5 by defining a status register that has a bit which provides status regarding the completion of
6 the last initiated command and that could also generate an interrupt when command
7 completion occurred. The Host is responsible for querying this register or waiting for a
8 completion interrupt before issuing subsequent MDIO Write transactions. No restrictions
9 are present on MDIO Address, Read or Post Read Increment Address instructions. The
10 Host may execute these commands anytime and as many times per second. The Host and
11 Module interaction for an MDIO Write transaction is illustrated in *Figure 18*.

12 *Figure 18 Host-Module MDIO Write Flow Control*



13 Write Flow Control is applicable only to the 0xB000 page registers defined in Section 6.4.
14 For all registers specified in Section 5, the logic remains the same as in CFP MSA MIS
15 V1.4. If the host is writing to any of the 0xA000 page register, it will just write to the register.
16

1 If the host is writing to any of the 0xB000 page register it has to follow the Write Flow
2 Control procedure. Write flow control to 0xBC00-BFFF range bulk data is provided by the
3 registers defined in Module Extended Functions Control Registers.
4

5 If the Host writes an MDIO register with an inappropriate value for a field (e.g., power
6 setting not in supported range), the module will set the command error status bit. In
7 addition, the module will provide the MDIO register address at which the error occurred, the
8 data which caused the error, a mask of the specific bits in the data which were in error, and
9 a cause of the error. The host will be informed that an error occurred through the command
10 error status bit, either by polling or as an interrupt. The host can then obtain further details
11 about the error through the supporting Command Error registers. The intent of this facility is
12 to be a diagnostic aid for the host in situations where incorrect data for an MDIO register is
13 written. It is not intended for circumstances where a command is correctly written to an
14 MDIO register, but due to a device error could not be completed successfully, such as if a
15 laser's channel cannot set successfully. Such errors are raised as a fault, alarm or warning
16 as appropriate, via the GLB_ALRMn MDIO interface interrupt mechanism.

17 **6.2.4 Module Monitored Parameters**

18 The following parameters in addition to those specified in the CFP MSA MIS V1.4 are
19 required to be monitored in the MSA-100GLH application:

- 20 1. Receiver Laser Bias Current;
- 21 2. Receiver Laser Temperature;
- 22 3. Receiver Laser Output Power;
- 23 4. Transmitter Modulator Bias.

24
25 These additional parameters stem from the MSA-100GLH module having an additional
26 Laser for the Network Receive interface for coherent operation and a multi-level/phase
27 modulator for the Network Transmit interface.

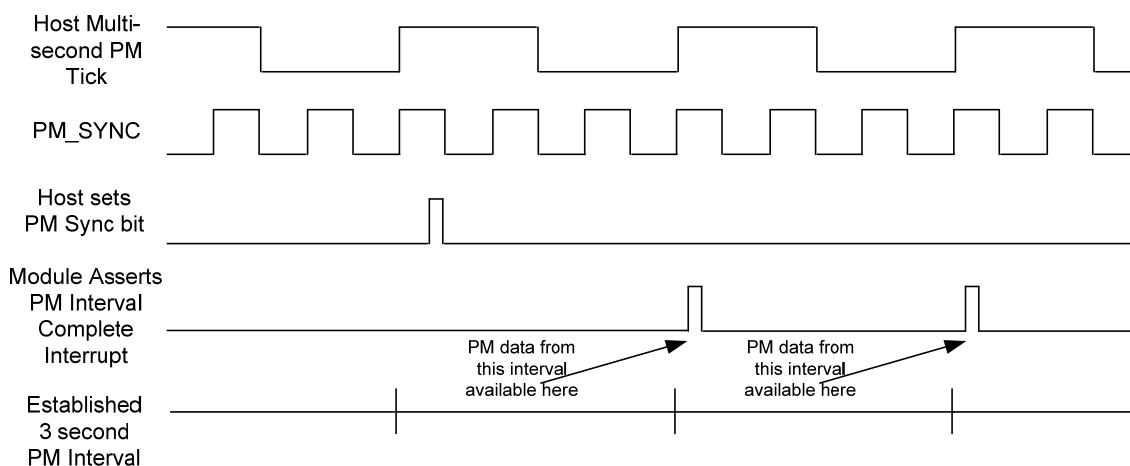
28 **6.2.5 Performance Monitoring**

29 **6.2.5.1 Performance Monitoring Tick**

30 The module will have the capability to generate an internal Performance Monitor Tick or
31 use an externally provided one from the host on the PM_SYNC pin. Regardless of the
32 source, the performance monitor tick will have a one second period. The advantage of
33 using the host driven tick is that module Performance Monitoring data can be better
34 synchronized to host data collection, thus avoiding any drift and misalignment between the
35 two. The module will use the one second interval as the basis to provide Performance
36 Monitor data to the host. The host will specify the number of seconds over which it wishes
37 the module to accumulate Performance Monitoring data. This accumulation period can
38 range from 1 second to 64 seconds. At the end of every accumulation period the module
39 can interrupt the host letting it know Performance Monitoring data for a new period is
40 available. The host also has the option to poll for this information. While the last full period
41 data is available to the host, the module is accumulating data for the current period.

1
2 The start of a multi-second accumulation period can be specified by the host setting the
3 Performance Monitor Tick Synchronization flag during the one second interval that signifies
4 the start of the multi-second accumulation period. This synchronization may be set any time
5 after module reset. This always indicates beginning of the new period. Any pending period
6 completions will be dropped and the new period starts immediately. For example, if a host
7 has a 3 second PM interval and wishes to synchronize the module to it, then it will first set
8 the Performance Monitor Interval field of the Performance Monitor Control register to 2.
9 Then as shown in *Figure 19* below, it will set the Performance Monitor Tick Synchronization
10 bit and subsequently the module's 3 second PM data will be synchronized with the host.

11 *Figure 19 Host-Module Performance Monitoring Tick Synchronization*



12
13 In addition to Performance Monitor Tick synchronization with the host, the module can have
14 a one second granularity Real-Time Clock synchronized to the one second performance
15 monitor tick. The Real-Time Clock will specify the time in seconds since Jan. 1, 1970. This
16 will be useful for synchronizing events that occur in the module and could get captured in
17 logs, to events seen on the host.

18 **6.2.5.2 Statistics**

19 The Performance Monitoring statistics that the module provides are described below in
20 *Table 42 MSA-100GLH Network Lane VR 2 Registers*. Modulation format dependent
21 Performance Monitoring statistics are described in Section 6.4.3. Register fields described
22 as "over PM interval" get updated every accumulation period seconds, as specified by the
23 host in the Performance Monitor Interval parameter. The register will have the last value for
24 the previous complete accumulation period. When data for a new accumulation period is
25 available, the module will update the values. FAWS type of parameters will have an "over
26 PM interval" status. This will provide an indication if the FAWS occurred over the last
27 accumulation period. The major parameter additions stem from the MSA-100GLH module
28 being utilized in long distance transmission where optical impairments are significant and
29 the module possibly having a modem in the Network Receive interface for coherent
30 operation.

31

1 In addition to having the “over PM interval” status, FAWS type of parameters will also have
2 the module established real-time status, latched status, and interrupt enable functionality.

3 **6.2.5.3 Multi-Word Read Procedure**

4 Some PM Statistics registers are multi-word, e.g. Chromatic Dispersion B800h ~ B810h.
5 There is a possibility that the most and least significant words are inconsistent. For
6 example,

- 7 1) Register B800h is read.
- 8 2) MW is updated.
- 9 3) Register B810h is read.

10 In this case monitored values are inconsistent.

11

12 The follow procedure is specified for MW read:

- 13 1) Host sends lower address of MW. -> Module latches appropriate MW data.
- 14 2) Host sends Read operation code. -> Module sends Most Significant Word.
- 15 3) Host sends upper address of MW.
- 16 4) Host sends Read operation code. -> Module sends Least Significant Word.

17

18 The example above is then corrected as follows:

19 Host reads B800h (Current Chromatic Dispersion, Most Significant Word) and B810h
20 (Current Chromatic Dispersion, Least Significant Word).

- 21 1) Host sends B800h address. -> Module prepares and latches Current Chromatic
22 Dispersion data (32bit).
- 23 2) Host sends Read operation code. -> Module sends Most Significant Word (b31~16).
- 24 3) Host sends B810h address.
- 25 4) Host sends Read operation code. -> Module sends Least Significant Word (b15~0).

26

27 Note: If host sends upper address of MW first, consistency of MW data is not guaranteed.

28 **6.2.6 Software Upgrade Capability**

29 For software upgrade, the software data image must be divided into blocks whose size is
30 determined by how much data can be processed by the module in a given time cycle. Each
31 block includes the data and CRC, so that the module can check whether there are any
32 errors after receiving the block. Upon finding any errors in the block, the module informs the
33 Host of a received errored block and the host must retransmit the same block.

34

35 A software upgrade transfer begins with the Host issuing a request to download an image.
36 The module grants the request and the image is written a block at a time in the 0xBC00
37 address space and setting the “Upgrade Data Block Ready” flag and the module processes
38 each block and updates the status. It is the host responsibility to make sure that each block
39 size is equal to or less than the “Maximum Upgrade Data Block Size”. If there is any error in
40 block processing, the host will retransmit the block. It is recommended to force an abort by
41 the host if a CRC error occurs few times on the same block. While download is not
42 complete, the Host can issue “Abort” command to abort the current download that is in

1 progress. After all the words of the image have been written to the module, termination of
2 the transfer is completed by issuing a Download Complete to the Upgrade Command
3 register. The module will acknowledge the complete image has been downloaded
4 successfully by providing a Command completed successfully status. If the image had an
5 error in download, then the module will reply with a Command failed status. This state
6 machine is illustrated in
7 *Figure 20 Software Upgrade State Machine*. The Software Upgrade sequence is illustrated
8 in. Module sets Maximum Upgrade Data Block Size.
9

10 Once the image has been downloaded successfully, the image's service affectability will be
11 reported and a request to run downloaded image can be performed. Ideally, most upgrades
12 should not be service affecting, i.e. services actively supported by the transmission system,
13 especially if they are just software upgrades. In some instances when upgrading firmware it
14 may not be possible to achieve a non-service affecting upgrade. With the image service
15 affecting status provided, the host software can be informed of the side effects that may
16 impact current service by upgrading to the downloaded image. During a service affecting
17 upgrade, the module may be in a state where even MDIO transactions are not available to
18 the module while the upgrade is happening. In order for the host to be cognizant of when
19 MDIO transactions are available, the assertion of the GLB_ALRM pin shall signal to the
20 host that initialization due to the upgrade is complete and the MDIO interface is available.
21 Even though an upgrade is service affecting, it shouldn't require a reconfiguration of the
22 module to get it in the operating state that it was in just prior to the upgrade.
23

24 After the run downloaded image request is issued by the Host, the module will be running
25 the downloaded version of software. At this point, the Host can commit the image. If the
26 Host wants to keep both banks the same, then issue "Copy Image" command.
27

28 Note: The host should be aware that during module software upgrade, the NVR Checksum
29 may be inconsistent due to mismatch of some register values between host and module,
30 e.g. 0x806Ch, 0x807Bh. These registers should be updated and the host, module NVR
31 Checksums consistent after the module software upgrade is successfully completed.
32

33 Also, to clarify expected host behavior following module hardware reset, there are cases
34 that need to be considered:

35 1. Hardware Reset:

36 Asserting MOD_RSTn will cause a complete reset of the module. All VR values are lost
37 and must be re-written by the Host.
38

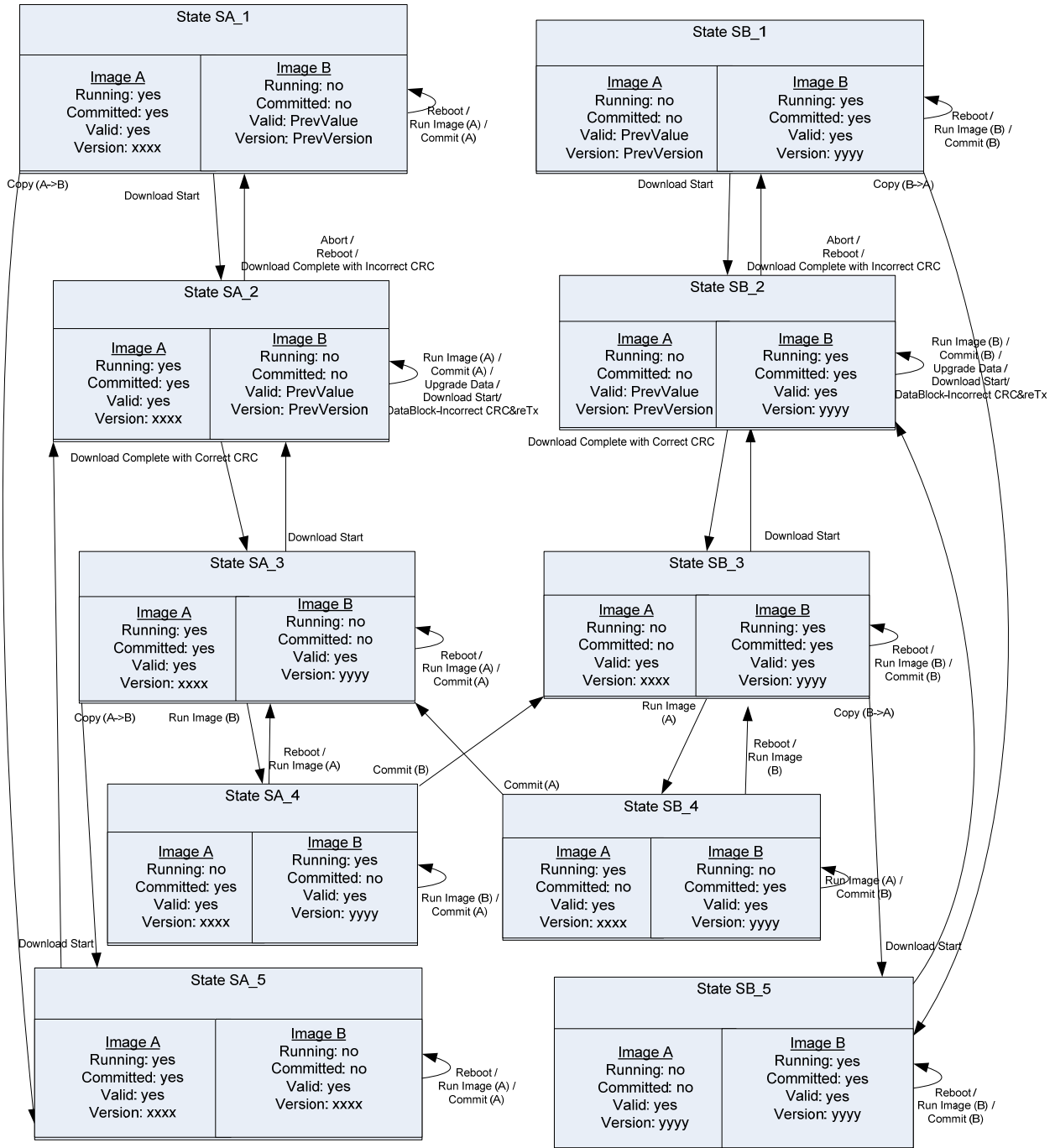
39 2. Non-service affecting upgrade

40 Non-service affecting upgrades are typically software-only upgrades and will not include
41 module reprogramming. If the VR is maintained in the module, the MDIO register space is
42 preserved during the upgrade. The CPU must re-read the VR after the upgrade to return to
43 the state prior to the upgrade. This will include channel numbers, power settings etc
44

45 3. Service affecting upgrade

- 1 Service affecting upgrades may include reprogramming of the module. During this
- 2 process, the contents of the VR in the module may be lost and the host must reset the VR
- 3 to return the module to the configuration state prior to the upgrade.

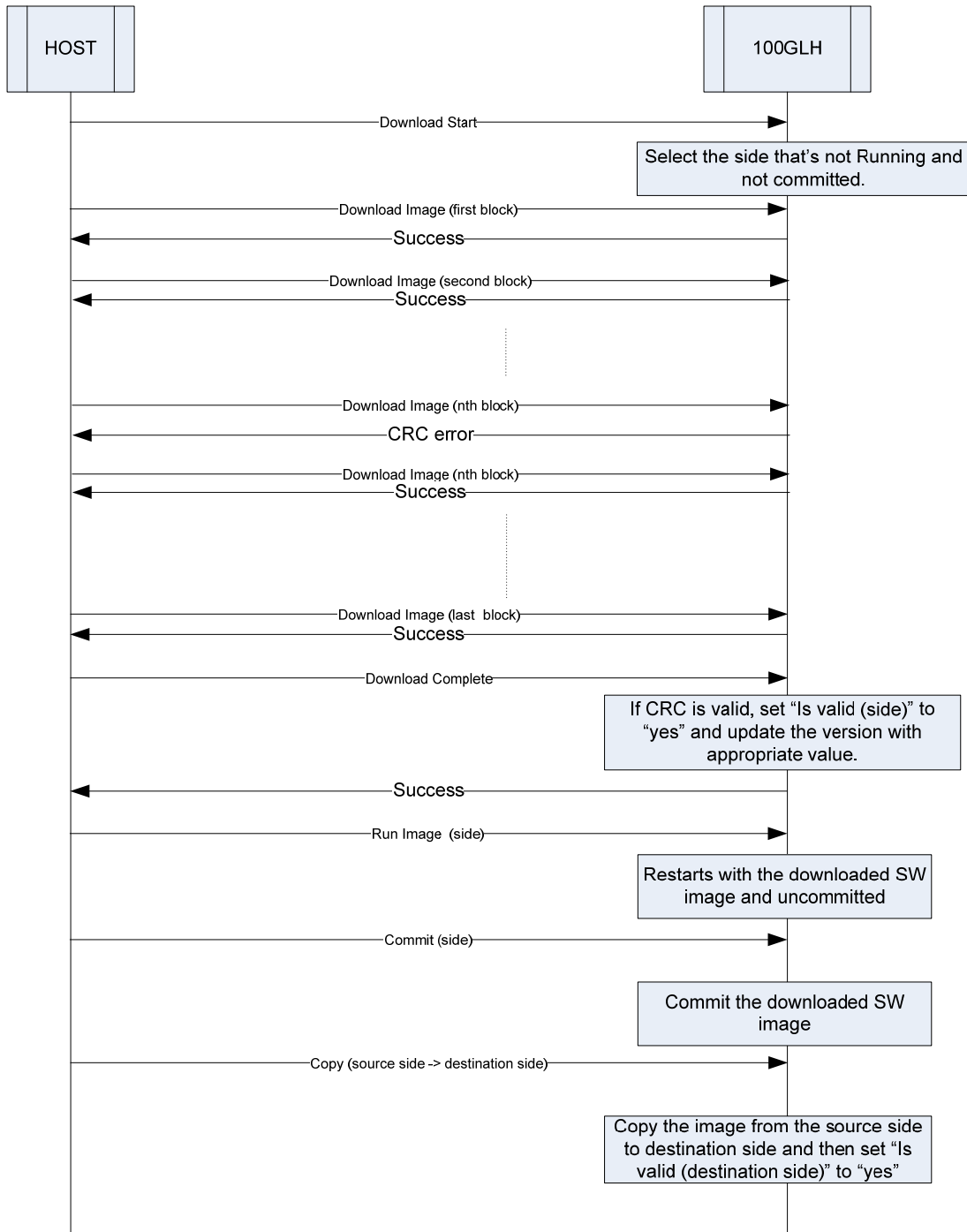
4 **Figure 20 Software Upgrade State Machine**



5
6
7

1
2

Figure 21 Software Upgrade Sequence



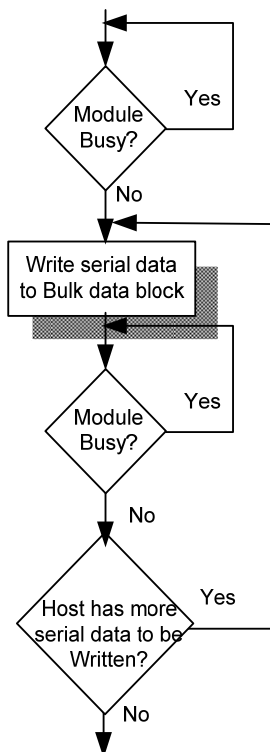
3
4
5

1 **6.2.7 Auxiliary Channel over MDIO (Optional)**

2 Diagnostics and debugging of any module is challenging for many reasons: limited pins,
3 limited register space, lack of accessibility, being embedded in a line-card and shelf that
4 could be of a different manufacturer than the module. In order to alleviate some of these
5 short-comings, a standardized optional Auxiliary interface via MDIO registers is defined.
6 With software support from the line-card and shelf hosting the module, it is envisioned the
7 Auxiliary interface could provide Field Applications Engineers and developers with access
8 to the module for detailed real-time interrogation. One of the usages of this interface is to
9 extend UART support. The UART aspect of the Auxiliary interface means that there is a
10 simple interface, consisting simply of transmit and receive registers without any hardware
11 flow control. Flow control will be inherent via the bulk data transfer MDIO interface. The
12 optional Auxiliary interface will not affect any other MDIO activity, so it should be
13 transparent for normal MDIO status and command execution (with the exception of
14 anything that uses bulk data block).

15
16 The procedure for host to module data transfer over the Auxiliary interface is shown in
17 *Figure 22 Host-to-Module Auxiliary Interface Data Transfer*. Flow control between the host
18 and module is achieved through the MDIO write flow control mechanism.

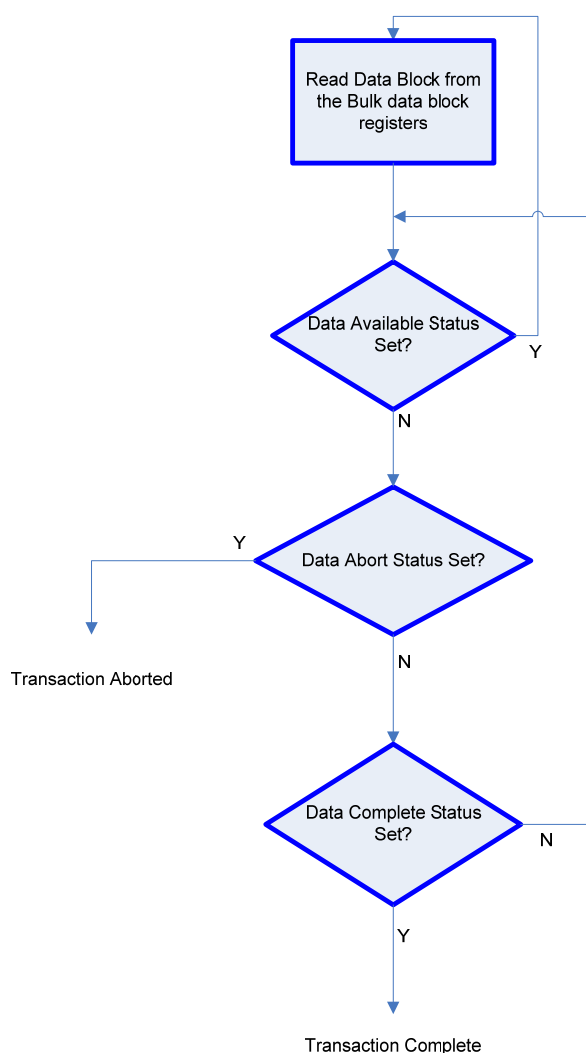
19 *Figure 22 Host-to-Module Auxiliary Interface Data Transfer*



20
21

1 The procedure for module to host data transfer over the Auxiliary interface is shown in
 2 Figure 23 Module-to-Host Auxiliary Interface Data Transfer. Flow control between the
 3 module and host is achieved through the host only reading the Auxiliary receive data only
 4 when it's ready. The module will buffer data as needed. The host can be informed that new
 5 data is available from the module, either by polling or via an interrupt. Once the host reads
 6 the available data from the receive data register, the module can provide the next
 7 sequential data, if any, and set the respective status bits and interrupt as appropriate.
 8

9 Figure 23 Module-to-Host Auxiliary Interface Data Transfer



10
 11 An Auxiliary interface host-to-module transaction starts by writing one block at a time in the
 12 0xBC00 address space and setting the appropriate Auxiliary interface host-to-module
 13 “Transaction Data Block Ready” flag and the module processes the transaction. Host uses

1 the “Maximum Upgrade Data Block Size” set by the module, and it is the host’s
2 responsibility to make sure that each block size is equal to or less than the “Maximum
3 Upgrade Data Block Size”. If there is any error in block processing, the host will retransmit
4 the block. It is recommended to force an abort by the host if a CRC error occurs few times
5 on the same block.
6

7 *Figure 23 Module-to-Host Auxiliary Interface Data Transfer* shows the procedure a host
8 would use to read the Auxiliary interface module-to-host transaction data. This transaction
9 bulk data is written a block at a time in the 0xBE00 address space and setting the
10 appropriate Auxiliary interface module-to-host “Transaction Data Block Ready” flag and the
11 host processes each block and updates the status. It is modules responsibility to make sure
12 that each block size equal to or less than the “Maximum Upload Data Block Size”. If there is
13 any error in the block processing module will retransmit the block. It is recommended to
14 force an abort by the module if the CRC error occurs few times on the same block.
15 Indication that all module-to-host transaction data has been transferred is conveyed via the
16 data complete status bit. Host sets Maximum Upload Data Block Size.
17

18 In order to provide maximum flexibility, two Auxiliary interfaces have been defined. This can
19 allow access to two processors at the same time, or to an interactive diagnostic shell and
20 streaming debug output at the same time.

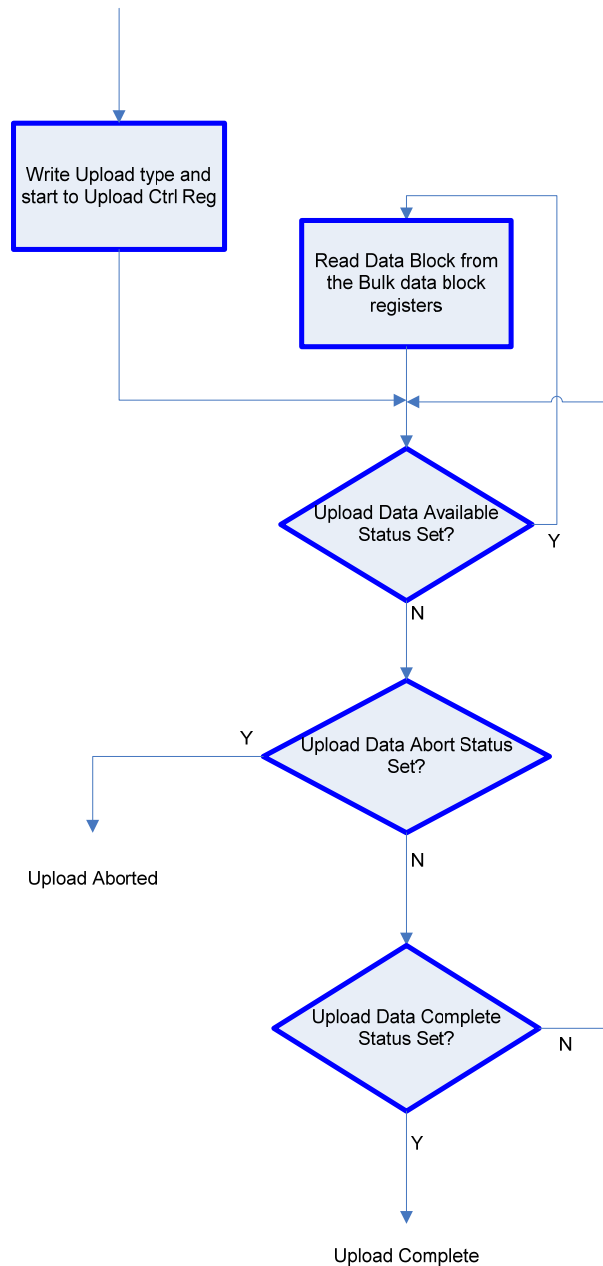
21 **6.2.8 Module-to-Host Generic Data Upload**

22 There may be times when it is advantageous to be able to upload bulk data from the
23 module. This could be for diagnostic purposes for off-line processing or for image recovery.
24 In order to facilitate this, a standard generic mechanism for bulk data upload from the
25 module to the host is defined. Specifying the types of bulk data to upload is outside the
26 scope of the specification, only the low-level transport mechanism is defined in order to
27 assure consistent support across multiple host and module vendors.
28

29 *Figure 24 Module-to-Host Generic Data Upload* shows the procedure a host would use to
30 upload data. The host sets the type of data to upload in the upload type field and requests
31 the upload to start by setting the upload start request bit in the upload control register. The
32 bulk data is written a block at a time in the 0xBE00 address space and setting the “Upload
33 Data Block Ready” flag and the host processes each block and updates the status. It is
34 modules responsibility to make sure that each block size equal to or less than the
35 “Maximum Upload Data Block Size”. If there is any error in the block processing module will
36 retransmit the block. It is recommended to force an abort by the module if the CRC error
37 occurs few times on the same block. Indication that all upload data has been transferred is
38 conveyed via the upload data complete status bit. Host sets Maximum Upload Data Block
39 Size.
40
41
42
43
44

1

Figure 24 Module-to-Host Generic Data Upload



2

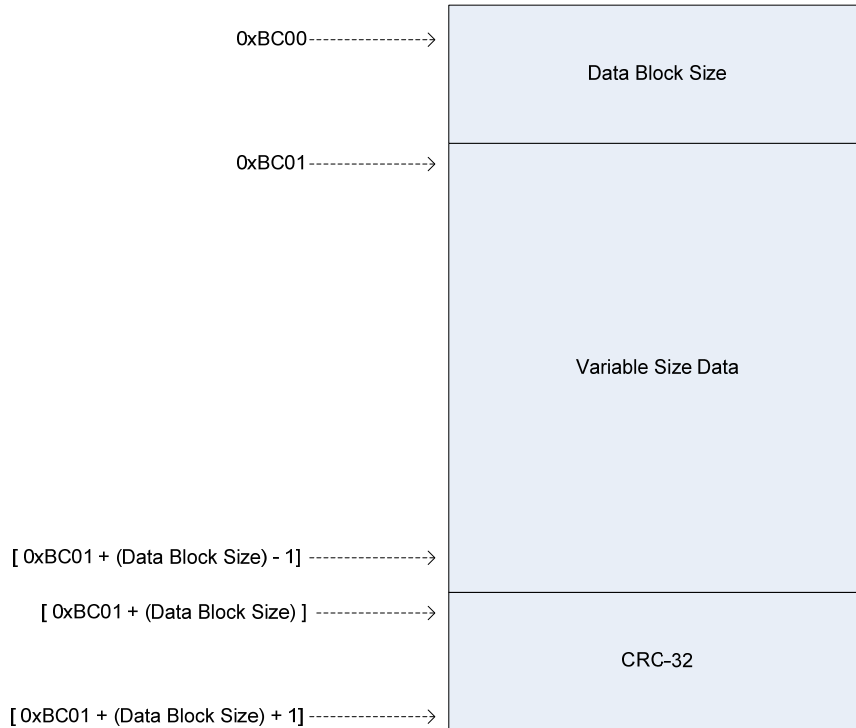
3 **6.2.9 Bulk Data Block Register Structure**

4 **6.2.9.1 Host-to-Module Transaction Structure**

5 The Host-to-Module bulk data block starts at register 0xBC00 and can extend up to
6 0xBDFF. The first register (0xBC00) is Data Block Size (in number of registers for the data
7 portion). The data starts at 0xBC01 followed by the 32-bit CRC as specified in [ITU-T

1 I.363.5]. For all these registers, MSB stored at low address and LSB stored at high
2 address.

3 Figure 25 Host-to-Module Bulk Data Block Structure



4
5

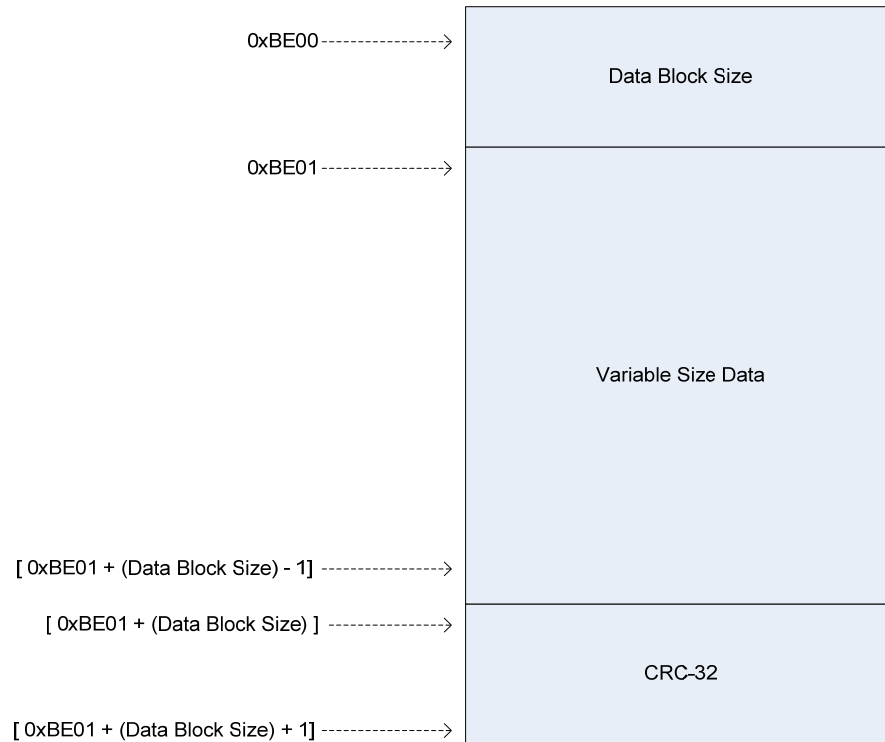
6 **6.2.9.1 Module-to-Host Transaction Structure**

7 The Module-to-host bulk data block starts at register 0xBE00 and can extend up to
8 0xBEFF. The first register (0xBE00) is Data Block Size (in number of registers for the data
9 portion). The data starts at 0xBE01 followed by the 32-bit CRC as specified in [ITU-T
10 I.363.5]. For all these registers, MSB stored at low address and LSB stored at high
11 address.

12
13
14
15
16
17
18
19
20
21
22
23

1

Figure 26 Module-to-Host Bulk Data Block Structure



2

3 **6.3 MSA-100GLH Module Register Overview**

4 An overview of register modification and additional register allocation required to support
5 the MSA-100GLH Module application beyond the register allocation defined Sections 3 and
6 5 of this document is given in Table 36 MSA-100GLH Module Management Register
7 Overview.

8

9 Additional registers are required for:

- 10 a) MSA-100GLH Module Control and Digital Diagnostic Monitoring
- 11 b) Network TX/RX Lanes
- 12 c) Host TX/RX Lanes
- 13 d) OTN and FEC Functionality (optional)
- 14 e) Modulation dependent functionality (optional-informative)

15

Table 36 MSA-100GLH Module Management Register Overview

Hex Addr Start	Hex Addr End	Access Type	Allocated Size	Data Bit Width	Description
0000	7FFF	N/A	32768	N/A	Reserved for IEEE 802.3 use.
8000	807F	RO	128	8	CFP NVR 1. Basic ID Registers
8080	80C6	RO	128	8	CFP NVR 2. Extended ID Registers
80C8	80FF				CFP NVR 2. MSA-100GLH Module Alarm/Warning Threshold Registers
8100	817F	RO	128	8	CFP NVR 3. Network Lane BOL Measurement Registers
8180	81FF	RO	128	8	CFP NVR 4. MSA-100GLH Extended ID Registers
8200	83FF	RO	4x128	N/A	MSA Reserved

8400	847F	RO	128	8	Vendor NVR 1. Vendor Data Registers
8480	84FF	RO	128	8	Vendor NVR 2. Vendor Data Registers
8500	86FF	RO	4x128	8	ACO NVR registers [V2.6]
8700	87FF	RO	2x128	8	MSA Reserved
8800	887F	RW	128	8	User NVR 1. User Data Registers
8880	88FF	RW	128	8	User NVR 2. User Data Registers
8900	8EFF	RO	12x128	N/A	MSA Reserved
8900	8EFF	RW	12x128	16	User NVR 3. ACO specific User data registers [V2.6]
9000	9FFF	N/A	4096	N/A	Reserved for Vendor private use
B000	B07F	RW	128	16	MSA-100GLH Module VR1: Command/Setup/Control/FAWS Registers
B080	B17F	RO	2x128	N/A	MSA Reserved
B180	B2FF	RW	3x128	16	MSA-100GLH Module VR1: Network Lane FAWS/Status Registers
B300	B57F	RW	5x128	16	MSA-100GLH Module VR2: Network Lane Control/Data Registers
B580	B5FF	RW	128	16	MSA-100GLH Module VR2: Network Lane OTN/FEC-related Registers (Optional)
B600	B6FF	RW	2x128	16	MSA-100GLH Module VR1: Host Lane FAWS/Control/Status Registers
B700	B77F	RW	2x128	16	MSA-100GLH Module VR1: Host Lane OTN/FEC-related Registers (Optional)
B780	B7FF	RO	128	N/A	MSA Reserved
B800	BAFF	RW	6x128	16	MSA-100GLH Module VR2: Network Lane Modulation Format Dependent Registers (Optional-informative)
BB00	BBFF	RO	2x128	N/A	MSA Reserved
BC00	BFFF	RW	1024	16	MSA-100GLH Module VR2: Bulk Data Transfer Registers

1 **6.4 MSA-100GLH Module Register Description**

2 Detailed descriptions of registers added to the CFP module register set for supporting the
3 MSA-100GLH module management interface are listed in *Table 37 MSA-100GLH Module*
4 *VR 1 Registers* through *Table 44*. These tables follow the convention and definitions
5 outlined in Section 5, *Table 22*.

6
7 The original CFP NVR Tables (Tables 31, 32, 33, and 34 in Version 2.0) for MSA 100GLH
8 have been merged with corresponding tables in section 5 in Version 2.2.

9 MSA-100GLH Module VR 1

10 *Table 37 MSA-100GLH Module VR 1 Registers* lists all registers related to module level
11 command/setup, control and status information and functions necessary to support the
12 MSA-100GLH Module application.

13 *Table 37 MSA-100GLH Module VR 1 Registers*

MSA-100GLH Module VR 1						
Hex Addr.	Size	Access Type	Bit	Register Name Bit Field Name	Description	Init Value
Module Command/Setup Registers						
B000 [2.0]	2	WO	15~0	Password Entry (Optional)	Password for module register access control. 2-word value. MSW is in lower address.	0000h 0000h
B002 [2.0]	2	WO	15~0	Password Change (Optional)	New password entry. A 2-word value. MSW is in lower address.	0000h 0000h
B004 [2.0]	1			NVR Access Control	User NVRs Restore/Save command. Refer to 4.10.2 for details.	0000h
		RW	15~9	Reserved	Vendor specific.	0
		RO	8~6	Reserved		000b
		RW	5	User Restore and Save Command	0: Restore the User NVR section, 1: Save the User NVR section.	0
		RO	4	Reserved		0

MSA-100GLH Module VR 1						
Hex Addr.	Size	Access Type	Bit	Register Name Bit Field Name	Description	Init Value
		RO	3~2	Command Status	00b: Idle, 01b: Command completed successfully, 10b: Command in progress, 11b: Command failed.	00b
		RW	1~0	Extended Commands	00b: Vendor specific, 01b: Vendor specific, 10b: Save User Password. If bit 5 = 0, command has no effect. 11b: Restore/Save the User NVRs.	00b
B005 [2.0]	1			PRG_CNTL3 Function Select	Selects, and assigns, a control function to PRG_CNTL3.	0000h
		RO	15~8	Reserved		00h
		RW	7~0	Function Select Code	This multi-function input is used as HW_IL_MSB during the Initialize State and it can be programmed to other functions afterward. HW_IL functionality is not applicable to non-pluggable modules, such as OIF MSA-100GLH. 0: No effect, 1: Assign TRXIC_RSTn function to hardware pins PRG_CNTL3. When so assigned this pin uses the active low logic, that is, 0 = Assert (Reset). Note that when so assigned, its soft counterpart Soft PRG_CNTL3 Control (B010h.12) uses an active high logic, that is, 1 = Assert (Reset). 2~127: Reserved - MSA 128~255: Reserved – Vendor-Specific Functions	00h
B006 [2.0] [2.6]	1			PRG_CNTL2 Function Select	Selects, and assigns, a control function to PRG_CNTL2.	0000h
		RO	15~8	Reserved		00h
		RW	7~0	Function Select Code	This multi-function input is used as HW_IL_LSB during the Initialize State and it can be programmed to other functions afterward. HW_IL functionality is not applicable to non-pluggable modules, such as OIF MSA-100GLH. 0: No effect, 1: Assign TRXIC_RSTn function to hardware pins PRG_CNTL2. When so assigned this pin uses the active low logic, that is, 0 = Assert (Reset). Note that when so assigned, its soft counterpart Soft PRG_CNTL2 Control (A010h.11) uses an active high logic, that is, 1 = Assert (Reset). 2: Assign Performance Monitor Tick (PM-SYNC) to PRG_CNTL2 pin. See Addendum A for additional definitions. 3~127: Reserved - MSA 128~255: Reserved – Vendor-Specific Functions	00h
B007 [2.0]	1			PRG_CNTL1 Function Select	Selects, and assigns, a control function to PRG_CNTL1.	0001h
		RO	15~8	Reserved		00h
		RW	7~0	Function Select Code	0: No effect, 1: Assign TRXIC_RSTn function to hardware pins PRG_CNTL1. When so assigned this pin uses the active low logic, that is, 0 = Assert (Reset). Note that when so assigned, its soft counterpart Soft PRG_CNTL1 Control (A010h.10) uses an active high logic, that is, 1 = Assert (Reset). TRXIC_RSTn is the CFP MSA default function for PRG_CNTL1. 2~127: Reserved - MSA 128~255: Reserved – Vendor-Specific Functions	01h
B008	1			PRG_ALRM3 Source	Selects, and assigns, an alarm source for PRG_ALRM3.	0003h

MSA-100GLH Module VR 1						
Hex Addr.	Size	Access Type	Bit	Register Name Bit Field Name	Description	Init Value
[2.0]				Select		
		RO	15~8	Reserved		00h
		RW	7~0	Alarm Source Code	0: Not active, always de-asserted, 1: HIPWR_ON, 2: Ready State, 3: Fault State, MSA default setting, 4: RX_ALARM = RX_LOS + RX_NETWORK_LOL, 5: TX_ALARM = TX_LOSF + TX_HOST_LOL + TX_CMU_LOL, 6: RX_NETWORK_LOL, 7: TX_LOSF, 8: TX_HOST_LOL, 9: OOA, Out of alignment, (Only applicable to certain products. If not implemented in the module, Writing 9 to this register has no effect and shall be read as 0. This is also true for Registers B009h and B00Ah). 10: Module Write Ready 11~127: Reserved - MSA 128~255: Reserved – Vendor-Specific Functions	03h
B009 [2.0]	1			PRG_ALARM2 Source Select	Selects, and assigns, an alarm source for PRG_ALARM2.	0002h
		RO	15~8	Reserved		00h
		RW	7~0	Alarm Source Code	0: Not active, always de-asserted, 1: HIPWR_ON, 2: Ready State, MSA default setting, 3: Fault State, 4: RX_ALARM = RX_LOS + RX_NETWORK_LOL, 5: TX_ALARM = TX_LOSF + TX_HOST_LOL + TX_CMU_LOL, 6: RX_NETWORK_LOL, 7: TX_LOSF, 8: TX_HOST_LOL, 9: OOA, Out of alignment, refer to description of B008h for details, 10: Module Write Ready 11~127: Reserved - MSA 128~255: Reserved – Vendor-Specific Functions	02h
B00A [2.0]	1			PRG_ALARM1 Source Select	Selects, and assigns, an alarm source for PRG_ALARM1.	0001h
		RO	15~8	Reserved		00h
		RW	7~0	Alarm Source Code	0: Not active, always de-asserted, 1: HIPWR_ON, MSA default setting, 2: Ready State, 3: Fault State, 4: RX_ALARM = RX_LOS + RX_NETWORK_LOL, 5: TX_ALARM = TX_LOSF + TX_HOST_LOL + TX_CMU_LOL, 6: RX_NETWORK_LOL, 7: TX_LOSF, 8: TX_HOST_LOL, 9: OOA, Out of alignment, refer to description of B008h for details, 10: Module Write Ready 11~127: Reserved - MSA 128~255: Reserved – Vendor-Specific Functions	01h
B00B [2.0] [2.6]	1			Module Operating Control		0000h
		RO	15~14	Reserved		0
		RW	13	RX FEC correction Disable (optional)	0 : RX FEC Correction Enabled 1 : RX FEC Correction Disabled	0b
		RW	12	TX FEC correction Disable	0 : TX FEC Correction Enabled	0b

MSA-100GLH Module VR 1						
Hex Addr.	Size	Access Type	Bit	Register Name Bit Field Name	Description	Init Value
				(optional)	1 : TX FEC Correction Disabled	
		RW/SC	11	Performance Monitor Tick Synchronization	0: Normal 1: Synchronizes the current one second interval as the start of the multi-second performance monitor data accumulation period specified by the Performance Monitor Interval field	0b
		RW	10	Performance Monitor Tick Source	0: Internal 1: External (PM_SYNC Pin). Note that for CFP2-ACO module, the external PM_SYNC is provided on PRG_CNTL2. See Addendum A for additional description.	0b
		RW	9~4	Performance Monitor Interval	Performance monitoring interval 0~63: Represents the number of one second Performance Monitor Tick Intervals plus one for which the Module will accumulate and provide Performance Monitor data. A value of 0 will result in the module providing PM data every 1 second. A value of 9 will result in the module providing PM data every 10 seconds.	00h
		RW	3	Host Interface SFI-S Enable	Used only for 40G operation with legacy SFI-S hosts. 0: Disabled, 1: Enabled	0
		RW	2~0	Module Bi/uni-direction mode Select	000b: Normal bi-directional mode, 001b: Uni-direction TX only mode (optional), 010b: Uni-direction RX only mode (optional), 011b: Special bi-directional mode (optional), 100b~111b: Reserved.	000b
B00C [2.0]	1	RO	15~0	Command Error Address	Address of last command that had an error	0000h
B00D [2.0]	1	RO	15~0	Command Error Data	Command data written of last command that generated an error	0000h
B00E [2.0]	1	RO	15~0	Command Error Data Mask	Mask signifying which bits of command data generated error	0000h
B00F [2.0]	1	RO		Command Error Status	Provides reason of last command that generated an error	0000h
			15	Out of Range Value	0: No Error, 1: Error	0
			14	Incorrect Value	0: No Error, 1: Error	0
			13	Command Not Valid	0: No Error, 1: Error	0
			12	MDIO Write Done while Module Busy	0: No Error, 1: Error	0
			11	Vendor Specific Error	0: No Error, 1: Error	0
			10~0	Reserved		0
Module Control Registers						
B010 [2.0]	1			Module General Control		0000h
		RW/SC/LH	15	Soft Module Reset	Register bit for module reset function. Writing a 0 to this bit has no effect regardless it was 0 or 1 previously. 1: Module reset assert.	0
		RW	14	Soft Module Low Power	Register bit for module low power function. 1: Assert.	0
		RW	13	Soft TX Disable	Register bit for TX Disable function. 1: Assert.	0
		RW	12	Soft PRG_CNTL3 Control	Register bit for PRG_CNTL3 control function. 1: Assert.	0
		RW	11	Soft PRG_CNTL2 Control	Register bit for PRG_CNTL2 control function. 1: Assert.	0
		RW	10	Soft PRG_CNTL1 Control	Register bit for PRG_CNTL1 control function. 1: Assert.	0
		RW	9	Soft GLB_ALRM Test	Command bit for software forced test signal. When this bit is asserted it generates GLB_ALRM signal. 1: Assert.	0
		RW/SC	8	Processor Reset	Register bit for processor reset function. This bit is self-clearing. Register settings are not affected. This is a Non-Service Affecting reset.	0

MSA-100GLH Module VR 1																																										
Hex Addr.	Size	Access Type	Bit	Register Name Bit Field Name	Description	Init Value																																				
					1: Assert.																																					
		RO	7~6	Reserved		0																																				
		RO	5	TX_DIS Pin State	Logical state of the TX_DIS pin. 1: Assert.	0																																				
		RO	4	MOD_LOPWR Pin State	Logical state of the MOD_LOPWR pin. 1: Assert.	0																																				
		RO	3	PRG_CNTL3 Pin State	Logical state of the PRG_CNTL3 pin. 1: Assert.	0																																				
		RO	2	PRG_CNTL2 Pin State	Logical state of the PRG_CNTL2 pin. 1: Assert.	0																																				
		RO	1	PRG_CNTL1 Pin State	Logical state of the PRG_CNTL1 pin. 1: Assert.	0																																				
		RO	0	Reserved		0																																				
B011 [2.0]	1			Network Lane TX Control	This control acts upon all the network lanes.	0200h																																				
		RW	15 [2.4]	Automatic Network Lane TX Squelch Mode (Optional)	0: Network Lane shall squelch TX Average power on TX_LOL (sync with B1A0h~B1AFh.6) per lane base. 1: Network Lane shall squelch TX OMA power on TX_LOL (sync with B1A0h~B1AFh.6) per lane base.	0																																				
		RW	14	TX PRBS Generator Enable	0: Normal operation, 1: PRBS mode. (Optional)	0																																				
		RW	13~12	TX PRBS Pattern	00b:2^7, 01b:2^15, 10b:2^23, 11b:2^31.	00b																																				
		RW	11	TX De-skew Enable	0:Normal, 1:Disable	0																																				
		RW	10	TX FIFO Reset	This bit affects both host and network side TX FIFOs. 0: Normal operation, 1: Reset (Optional).	0																																				
		RW	9	TX FIFO Auto Reset	This bit affects both host and network side TX FIFOs. 0: Not Auto Reset, 1: Auto Reset. (Optional).	1																																				
		RW	8	TX Reset	0: Normal operation, 1: Reset. Definition and implementation is vendor specific.	0																																				
		RW [2.2]	7~5	TX MCLK Control	3-bit field coding the MCLK rate control. <table border="1"> <thead> <tr> <th>Code</th> <th>Description</th> <th>CFP</th> <th>CFP2/4</th> </tr> </thead> <tbody> <tr> <td>000b</td> <td>Function disabled</td> <td></td> <td></td> </tr> <tr> <td>001b</td> <td>Of network lane rate</td> <td>Reserved</td> <td>1/32</td> </tr> <tr> <td>010b</td> <td>Of network lane rate</td> <td>1/8</td> <td>1/8</td> </tr> <tr> <td>011b</td> <td>Of host lane rate</td> <td>Reserved</td> <td>Reserved</td> </tr> <tr> <td>100b</td> <td>Of network lane rate</td> <td>1/64</td> <td>Reserved</td> </tr> <tr> <td>101b</td> <td>Of host lane rate</td> <td>1/64</td> <td>1/160</td> </tr> <tr> <td>110b</td> <td>Of network lane rate</td> <td>1/16</td> <td>Reserved</td> </tr> <tr> <td>111b</td> <td>Of host lane rate</td> <td>1/16</td> <td>1/40</td> </tr> </tbody> </table>	Code	Description	CFP	CFP2/4	000b	Function disabled			001b	Of network lane rate	Reserved	1/32	010b	Of network lane rate	1/8	1/8	011b	Of host lane rate	Reserved	Reserved	100b	Of network lane rate	1/64	Reserved	101b	Of host lane rate	1/64	1/160	110b	Of network lane rate	1/16	Reserved	111b	Of host lane rate	1/16	1/40	000b
Code	Description	CFP	CFP2/4																																							
000b	Function disabled																																									
001b	Of network lane rate	Reserved	1/32																																							
010b	Of network lane rate	1/8	1/8																																							
011b	Of host lane rate	Reserved	Reserved																																							
100b	Of network lane rate	1/64	Reserved																																							
101b	Of host lane rate	1/64	1/160																																							
110b	Of network lane rate	1/16	Reserved																																							
111b	Of host lane rate	1/16	1/40																																							
		RW [2.4]	4	Automatic Network Lane TX Squelch Control (Optional)	0: Network lane automatic control on TX_LOL is off. Host controls each lane output squelch using A041h. 1: Network lane automatic control on TX_LOL is on per lane base.	0																																				
		RW	3~1	TX Rate Select (10G lane rate)	000b: GbE=10.31, 001b: SDH=9.95, 010b: OTU3=10.7, 011b: OTU4=11.2, 100b: OTU3e1=11.14, 101b: OTU3e2=11.15, 110b~111b: Reserved.	000b																																				
		RW	0	TX Reference CLK Rate Select	0: 1/16, 1: 1/64.	0b																																				
B012 [2.0]	1			Network Lane RX Control	This control acts upon all the network lanes.	0200h																																				
		RW	15	Active Decision Voltage and Phase function	This bit activates the active decision voltage and phase function in the module. 0: not active, 1: active. (Optional)	0b																																				

MSA-100GLH Module VR 1									
Hex Addr.	Size	Access Type	Bit	Register Name Bit Field Name	Description	Init Value			
		RW	14	RX PRBS Checker Enable	0: Normal operation, 1: PRBS mode. (Optional)	0b			
		RW	13~12	RX PRBS Pattern	00b: 2 ⁷ , 01b: 2 ¹⁵ , 10b: 2 ²³ , 11b: 2 ³¹ .	00b			
		RW	11	RX Lock RX_MCLK to Reference CLK	0: Normal operation, 1: Lock RX_MCLK to REFCLK.	0b			
		RW	10	Network Lane Loop-back	0: Normal operation, 1: Network lane loop-back. (Optional)	0b			
		RW	9	RX FIFO Auto Reset	0: Not auto reset, 1: Auto reset. (Optional).	1b			
		RW	8	RX Reset	0: Normal operation, 1: Reset. Definition and implementation are vendor specific.	0b			
		RW [2.2]	7~5	RX MCLK Control (optional)	3-bit field coding the MCLK rate control.			000b	
					Code	Description	CFP		CFP2/4
					000b	Function disabled			
					001b	Of network lane rate	Reserved		1/32
					010b	Of network lane rate	1/8		1/8
					011b	Of host lane rate	Reserved		Reserved
					100b	Of network lane rate	1/64		Reserved
		101b	Of host lane rate		1/64	1/160			
		110b	Of network lane rate		1/16	Reserved			
		111b	Of host lane rate	1/16	1/40				
		RW	4	RX FIFO Reset	0: Normal, 1: Reset. (Optional).	0b			
		RW	3~1	RX Rate Select	000b: GbE=10.31, 001b: SDH=9.95, 010b: OTU3=10.7, 011b: OTU4=11.2, 100b: OTU3e1=11.14, 101b: OTU3e2=11.15, 110b~111b: Reserved.	000b			
		RW	0	RX Reference CLK Rate Select	0: 1/16, 1: 1/64.	1b			
B013 [2.0]	1	RW		Individual Network Lane TX_DIS Control	This register acts upon individual network lanes. Note that toggling individual network lane TX disable bit does not change module state.	0000h			
			15~0	Lane n Disable	Bits 15~0 disable Lanes 15~0 respectively. 0: Normal, 1: Disable.	0			
B014 [2.0]	1			Host Lane Control	This control acts upon all the host lanes.	0000h			
		RO	15	Reserved		0			
		RW	14	TX PRBS Checker Enable	0: Normal operation, 1: PRBS mode. (Optional)	0			
		RW	13	TX PRBS Pattern 1	00:2 ⁷ , 01:2 ¹⁵ , 10:2 ²³ , 11:2 ³¹ .	00b			
		RW	12	TX PRBS Pattern 0					
		RO	11	Reserved		0			
		RW	10	Host Lane Loop-back Enable	0: Normal operation, 1: Host lane loop-back. (Optional)	0			
		RW	9 [2.4]	Automatic Host Lane Output Squelch on LOS (Optional)	0: Host Lane shall not squelch on RX_LOS. Host controls squelch using A040h 1: Host Lane shall squelch on RX_LOS (sync with A210h~A21Fh.4) per lane based.	0			
		RW	8 [2.4]	Automatic Host Lane Output Squelch on LOL (Optional)	0: Host Lane shall not squelch on RX_LOL. Host controls squelch using A040h. 1: Host Lane shall squelch on RX_LOL (sync with A210h~A21Fh.3) per lane based.	0			
		RW	7	RX PRBS Generator Enable	0: Normal operation, 1: PRBS mode. (Optional)	0			
		RW	6	RX PRBS Pattern 1	00b: 2 ⁷ , 01b: 2 ¹⁵ , 10b: 2 ²³ , 11b: 2 ³¹ .	00b			
RW	5	RX PRBS Pattern 0							
		RO	4~0	Reserved		0h			
B015 [2.2]	1			Module General Control 2	This register collects added module general control functions for CFP MSA MIS V2.2	0000h			

MSA-100GLH Module VR 1						
Hex Addr.	Size	Access Type	Bit	Register Name Bit Field Name	Description	Init Value
		RO	15~10	Reserved		0
		RW	9	RX Power Monitor Alarm/Warning Threshold Select	0: MSA default registers 80C0h~80C7h, 1: Host Configured Receive Optical Power Threshold registers B03Ch~B03Fh.	0
		RO	8	CFP4 Host Lane Pin-out Select	0b: TOP if 807Eh.4 = 1b 1b: TOP ALT1 if 807Eh.4 = 1b, No effect if 807Eh.4 = 0b	0
		RO	7~0	Reserved		0
Module State Register						
B016 [2.0]	1	RO		Module State	MSA-100GLH Module state. Only a single bit set at any time.	0000h
			15~9	Reserved		0
			8	High-Power-down State	1: Corresponding state is active. Word value = 0100h.	0
			7	TX-Turn-off State	1: Corresponding state is active. Word value = 0080h.	0
			6	Fault State	1: Corresponding state is active. Word value = 0040h. (Also referred to as MOD_FAULT)	0
			5	Ready State	1: Corresponding state is active. Word value = 0020h. (Also referred to as MOD_READY)	0
			4	TX-Turn-on State	1: Corresponding state is active. Word value = 0010h.	0
			3	TX-Off State	1: Corresponding state is active. Word value = 0008h.	0
			2	High-Power-up State	1: Corresponding state is active. Word value = 0004h.	0
			1	Low-Power State	1: Corresponding state is active. Word value = 0002h.	0
			0	Initialize State	1: Corresponding state is active. Word value = 0001h.	0
Module Alarm Summary Registers						
B017 [2.4]	1	RO		Network/Host Alarm Status Summary		
			15	Host TX OTN Status Summary (Optional)	Logical OR of all the enabled bits of Host TX OTN Status Latch register	0
			14	Host TX Alignment Status Summary	Logical OR of all the enabled bits of Host TX Alignment Status Latch register	0
			13	Host RX Alignment Status Summary	Logical OR of all the enabled bits of Host RX Alignment Status Latch register	0
			12	Network RX OTN Status Summary (Optional)	Logical OR of all the enabled bits of Network RX OTN Status Latch register	0
			11	Network RX Alignment Status Summary	Logical OR of all the enabled bits of Network RX Alignment Status Latch register	0
			10	Network TX Alignment Status Summary	Logical OR of all the enabled bits of Network TX Alignment Status Latch register	0
			9~0	Reserved		0
B018 [2.0]	1	RO		Global Alarm Summary		0000h
			15	GLB_ALRM Assertion Status	Internal status of global alarm output. 1: Asserted.	0
			14	Host Lane Fault and Status Summary	Logical OR of all the enabled bits of Host Lane Fault and Status Summary register.	0
			13	Network Lane Fault and Status Summary	Logical OR of all the bits in the Network Lane Fault and Status Summary register.	0
			12	Network Lane Alarm and Warning 1 Summary	Logical OR of all the bits in the Network Lane Alarm and Warning 1 Summary register.	0
			11	Module Alarm and Warning 2 Summary	Logical OR of all the enabled bits of Module Alarm and Warning 2 Latch register.	0
			10	Module Alarm and Warning 1 Summary	Logical OR of all the enabled bits of Module Alarm and Warning 1 Latch register.	0
			9	Module Fault Summary	Logical OR of all the enabled bits of Module Fault Status Latch register.	0
8	Module General Status Summary	Logical OR of all the enabled bits of Module General Status Latch register.	0			

MSA-100GLH Module VR 1						
Hex Addr.	Size	Access Type	Bit	Register Name Bit Field Name	Description	Init Value
			7	Module State Summary	Logical OR of all the enabled bits of Module State Latch register.	0
			6	Network Lane Alarm and Warning 2 Summary	Logical OR of all the enabled bits of Network Lane Alarm and Warning 2 Summary register	0
			5	Network/Host Alarm Status Summary	Logical OR of all the enable bits of Network/Host Alarm Status Summary register.	0
			4	Module Extended Functions Status Summary	Logical OR of all the enabled bits of Module Extended Functions Latch register.	0
			3	Vendor Specific FAWS	Logical OR of all the enabled bits of Vendor Specific FAWS Latch register.	0
			2~1	Reserved		0
			0	Soft GLB_ALRM Test Status	Soft GLB_ALRM Test bit Status.	0
B019 [2.0]	1	RO		Network Lane Alarm and Warning 1 Summary	Each bit is the logical OR of all enabled bits in each of Network Lane Alarm and Warning 1 Latch registers.	0000h
			15~0	Lane n Alarm and Warning Summary	Logical OR of all enabled bits in Latched Lane n Network Lane Alarm and Warning Register. 1 = Fault asserted. n ranges from 0 to 15.	0
B01A [2.0]	1	RO		Network Lane Fault and Status Summary	Each bit is the logical OR of all enabled bits in each of the Network Lane fault and Status Latch registers.	0000h
			15~0	Lane n Fault and Status Summary	Logical OR of all enabled bits in Latched Lane n Network Lane Fault and Status Register. 1 = Fault asserted. Lane number n ranges from 0 to 15.	15~0
B01B [2.0]	1	RO		Host Lane Fault and Status Summary	Each bit is the logical OR of all enabled bits in each of the Host Lane fault and Status Latch registers	0000h
			15~0	Lane n Fault and Status Summary	Logical OR of all enabled bits in Latched Lane n Network Lane Fault and Status Register. 1 = Fault asserted. Lane number n ranges from 0 to 15.	0
B01C	1	RO		Reserved		0
Module FAWS Registers						
B01D [2.0]	1	RO		Module General Status		0000h
			15	Reserved		0
			14	Reserved		0
			13	HW_Interlock	Module internally generated status signal. (FAWS_TYPE_A) 0: If module power <= Host cooling capacity or if hardware Interlock is not used, 1: If module power > Host cooling capacity. For non-pluggable modules (e.g. MSA-100GLH module), PRG_CNTL3 pin should be set to "1" during initialization state.	0
			12~11	Reserved		0
			10	Loss of REFCLK Input	Loss of reference clock input. It is an optional feature. (FAWS_TYPE_B). 0: Normal, 1: Loss of signal.	0
			9	TX_JITTER_PLL_LOL	TX jitter PLL loss of lock. It is an optional feature. (FAWS_TYPE_B). 0: Normal, 1: Loss of lock.	0
			8	TX_CMU_LOL	TX CMU loss of lock. It is the loss of lock indicator on the network side of the CMU. It is an optional feature. (FAWS_TYPE_B). 0: Normal, 1: Loss of lock.	0
7	TX_LOSF	Transmitter Loss of Signal Functionality. Logic OR of all of Network Lanes TX_LOSF bits. PRG_ALRMx mappable. (FAWS_TYPE_C, since the TX must be enabled).	0			

MSA-100GLH Module VR 1						
Hex Addr.	Size	Access Type	Bit	Register Name Bit Field Name	Description	Init Value
					Note: The corresponding latch register is set to 1 on any change (0-->1 or 1 --> 0) of this status signal. 0: all transmitter signals functional, 1: any transmitter signal not functional.	
			6	TX_HOST_LOL	TX IC Lock Indicator. Logic OR of all host lane TX_LOL bits. PRG_ALRMx mappable. (FAWS_TYPE_B). Note: The corresponding latch register is set to 1 on any change (0-->1 or 1 --> 0) of this status signal. 0: Locked, 1: Loss of lock.	0
			5	RX_LOS	Receiver Loss of Signal. Logic OR of all of network lane RX_LOS bits. (FAWS_TYPE_B). Note: The corresponding latch register is set to 1 on any change (0-->1 or 1 --> 0) of this status signal. 0: No network lane RX_LOS bit asserted, 1: Any network lane RX_LOS bit asserted.	0
			4	RX_NETWORK_LOL	RX IC Lock Indicator. Logic OR of all network lane RX_LOL bits. PRG_ALRMx mappable. (FAWS_TYPE_B). Note: The corresponding latch register is set to 1 on any change (0-->1 or 1 --> 0) of this status signal. 0: Locked, 1: Loss of lock.	0
			3	Out of Alignment	Host lane skew out of alignment indicator. Applicable only for some internal implementations. (FAWS_TYPE_B). 0: Normal, 1: Out of alignment.	0
			2	Performance Monitor Interval Complete	0: Not Done 1: Done.	0
			1	HIPWR_ON	Status bit representing the condition of module in high power status. FAWS Type is not applicable. 0: Module is not in high power on status, 1: Module is in high powered on status.	0
			0	Reserved		0
B01E [2.0]	1	RO		Module Fault Status	Module Fault Status bit pattern. Only fatal faults that are potentially harmful to the module can trigger the bits here. All the bits are 0: Normal; 1: fault detected. When any bit in this register is a '1', The Module State register will also be set to the Fault State.	0000h
			15	Reserved	Reserved for extension of "other faults" in case of all the bits used up in this register.	0
			14~7	Reserved		0
			6	PLD or Flash Initialization Fault	PLD, CPLD, or FPGA initialization fault. (FAWS_TYPE_A)	0
			5	Power Supply Fault	1: Power supply is out of range. (FAWS_TYPE_A)	0
			4~2	Reserved		000b
			1	CFP Checksum Fault	1: CFP Checksum failed. (FAWS_TYPE_A)	0
			0	Reserved		0
B01F [2.0]	1	RO		Module Alarm and Warning 1		0000h
			15~12	Reserved		0000b
			11	Mod Temp High Alarm	Mod temp high Alarm. (FAWS_TYPE_A) 0: Normal, 1: Asserted.	0
			10	Mod Temp High Warning	Mod temp high Warning. (FAWS_TYPE_A) 0: Normal, 1: Asserted.	0
			9	Mod Temp Low Warning	Mod temp low Warning. (FAWS_TYPE_A) 0: Normal, 1: Asserted.	0
			8	Mod Temp Low Alarm	Mod temp low Alarm. (FAWS_TYPE_A) 0: Normal, 1: Asserted.	0
			7	Mod Vcc High Alarm	Input Vcc high Alarm. (FAWS_TYPE_A)	0

MSA-100GLH Module VR 1						
Hex Addr.	Size	Access Type	Bit	Register Name Bit Field Name	Description	Init Value
					0: Normal, 1: Asserted.	
			6	Mod Vcc High Warning	Input Vcc high Warning. (FAWS_TYPE_A) 0: Normal, 1: Asserted.	0
			5	Mod Vcc Low Warning	Input Vcc low Warning. (FAWS_TYPE_A) 0: Normal, 1: Asserted.	0
			4	Mod Vcc Low Alarm	Input Vcc low Alarm. (FAWS_TYPE_A) 0: Normal, 1: Asserted.	0
			3	Mod SOA Bias High Alarm	SOA bias current high alarm. (FAWS_TYPE_B) 0: Normal, 1: Asserted.	0
			2	Mod SOA Bias High Warning	SOA bias current high warning. (FAWS_TYPE_B) 0: Normal, 1: Asserted.	0
			1	Mod SOA Bias Low Warning	SOA bias current low warning. (FAWS_TYPE_B) 0: Normal, 1: Asserted.	0
			0	Mod SOA Bias Low Alarm	SOA bias current low alarm. (FAWS_TYPE_B) 0: Normal, 1: Asserted.	0
B020 [2.0]	1	RO		Module Alarm and Warning 2		0000h
			15~8	Reserved		0
			7	Mod Aux 1 High Alarm	Module aux ch 1 high alarm. (FAWS Type is vendor TBD) 0: Normal, 1: Asserted..	0
			6	Mod Aux 1 High Warning	Module aux ch 1 high warning. (FAWS Type is vendor TBD) 0: Normal, 1: Asserted.	0
			5	Mod Aux 1 Low Warning	Module aux ch 1 low warning. (FAWS Type is vendor TBD) 0: Normal, 1: Asserted.	0
			4	Mod Aux 1 Low Alarm	Module aux ch 1 low alarm. (FAWS Type is vendor TBD) 0: Normal, 1: Asserted.	0
			3	Mod Aux 2 High Alarm	Module aux ch 2 high alarm. (FAWS Type is vendor TBD) 0: Normal, 1: Asserted.	0
			2	Mod Aux 2 High Warning	Module aux ch 2 high warning. (FAWS Type is vendor TBD) 0: Normal, 1: Asserted.	0
			1	Mod Aux 2 Low Warning	Module aux ch 2 low warning. (FAWS Type is vendor TBD) 0: Normal, 1: Asserted.	0
			0	Mod Aux 2 Low Alarm	Module aux ch 2 low alarm. (FAWS Type is vendor TBD) 0: Normal, 1: Asserted.	0
B021 [2.0]	1	RO		Vendor Specific FAWS	(Optional) Vendor Specified Module Fault, Alarm, Warning and Status. Contents are specified by the vendor.	0000h
Module FAWS Latch Registers						
B022 [2.0]	1			Module State Latch		0000h
		RO	15~9	Reserved		0
		RO/LH/C OR	8	High-Power-down State Latch	1: Latched.	0
		RO/LH/C OR	7	TX-Turn-off State Latch	1: Latched.	0
		RO/LH/C OR	6	Fault State Latch	1: Latched.	0
		RO/LH/C OR	5	Ready State Latch	1: Latched.	0
		RO/LH/C OR	4	TX-Turn-on State Latch	1: Latched.	0
		RO/LH/C OR	3	TX-Off State Latch	1: Latched.	0
		RO/LH/C OR	2	High-Power-up State Latch	1: Latched.	0
		RO/LH/C OR	1	Low-Power State Latch	1: Latched.	0
RO/LH/C OR	0	Initialize State Latch	1: Latched.	0		

MSA-100GLH Module VR 1						
Hex Addr.	Size	Access Type	Bit	Register Name Bit Field Name	Description	Init Value
B023 [2.0]	1			Module General Status Latch		0000h
		RO	15	Reserved		0
		RO	14	Reserved		0
		RO/LH/C OR	13	HW_Interlock Latch	1: Latched.	0
		RO	12~11	Reserved		0
		RO/LH/C OR	10	Loss of REFCLK Input Latch	1: Latched.	0
		RO/LH/C OR	9	TX_JITTER_PLL_LOL Latch	1: Latched.	0
		RO/LH/C OR	8	TX_CMU_LOL Latch	1: Latched.	0
		RO/LH/C OR	7	TX_LOSF Latch	1: Latched. Note: Set to 1 on any change (0-->1 or 1 --> 0) of the corresponding status signal.	0
		RO/LH/C OR	6	TX_HOST_LOL Latch	1: Latched. Note: Set to 1 on any change (0-->1 or 1 --> 0) of the corresponding status signal.	0
		RO/LH/C OR	5	RX_LOS Latch	1: Latched. Note: Set to 1 on any change (0-->1 or 1 --> 0) of the corresponding status signal.	0
		RO/LH/C OR	4	RX_NETWORK_LOL Latch	1: Latched. Note: Set to 1 on any change (0-->1 or 1 --> 0) of the corresponding status signal.	0
		RO/LH/C OR	3	Out of Alignment Latch	1: Latched.	0
		RO/LH/C OR	2	Performance Monitor Interval Complete Latch	1: Latched.	0
		RO	1~0	Reserved		000b
B024 [2.0]	1			Module Fault Status Latch	Module Fault Status latched bit pattern.	0000h
		RO	15~7	Reserved		0
		RO/LH/C OR	6	PLD or Flash Initialization Fault Latch	1: Latched.	0
		RO/LH/C OR	5	Power Supply Fault Latch	1: Latched.	0
		RO	4~2	Reserved		000b
		RO/LH/C OR	1	CFP Checksum Fault Latch	1: Latched.	0
		RO	0	Reserved		0
B025 [2.0]	1			Module Alarm and Warning 1 Latch		0000h
		RO	15~12	Reserved		0000b
		RO/LH/C OR	11	Mod Temp High Alarm Latch	1: Latched.	0
		RO/LH/C OR	10	Mod Temp High Warning Latch	1: Latched.	0
		RO/LH/C OR	9	Mod Temp Low Warning Latch	1: Latched.	0
		RO/LH/C OR	8	Mod Temp Low Alarm Latch	1: Latched.	0
		RO/LH/C OR	7	Mod Vcc High Alarm Latch	1: Latched.	0
		RO/LH/C OR	6	Mod Vcc High Warning Latch	1: Latched.	0
RO/LH/C OR	5	Mod Vcc Low Warning Latch	1: Latched.	0		

MSA-100GLH Module VR 1						
Hex Addr.	Size	Access Type	Bit	Register Name Bit Field Name	Description	Init Value
		RO/LH/C OR	4	Mod Vcc Low Alarm Latch	1: Latched.	0
		RO/LH/C OR	3	Mod SOA Bias High Alarm Latch	1: Latched.	0
		RO/LH/C OR	2	Mod SOA Bias High Warning Latch	1: Latched.	0
		RO/LH/C OR	1	Mod SOA Bias Low Warning Latch	1: Latched.	0
		RO/LH/C OR	0	Mod SOA Bias Low Alarm Latch	1: Latched.	0
B026 [2.0]	1			Module Alarm and Warning 2 Latch		0
		RO	15~8	Reserved		0
		RO/LH/C OR	7	Mod Aux 1 High Alarm Latch	1: Latched.	0
		RO/LH/C OR	6	Mod Aux 1 High Warning Latch	1: Latched.	0
		RO/LH/C OR	5	Mod Aux 1 Low Warning Latch	1: Latched.	0
		RO/LH/C OR	4	Mod Aux 1 Low Alarm Latch	1: Latched.	0
		RO/LH/C OR	3	Mod Aux 2 High Alarm Latch	1: Latched.	0
		RO/LH/C OR	2	Mod Aux 2 High Warning Latch	1: Latched.	0
		RO/LH/C OR	1	Mod Aux 2 Low Warning Latch	1: Latched.	0
		RO/LH/C OR	0	Mod Aux 2 Low Alarm Latch	1: Latched.	0
B027 [2.0]	1	RO/LH/C OR		Vendor Specific FAWS Latch	(Optional) Vendor Specified Module Fault, Alarm, Warning and Status Latch. Contents are specified by the vendor.	0000h
Module FAWS Enable Registers						
B028 [2.0]	1			Module State Enable	GLB_ALRM Enable register for Module State change. One bit for each state.	006Ah
		RO	15~9	Reserved		0
		RW	8	High-Power-down State Enable	1: Enable corresponding signal to assert GLB_ALRM.	0
		RW	7	TX-Turn-off State Enable	1: Enable corresponding signal to assert GLB_ALRM.	0
		RW	6	Fault State Enable	1: Enable corresponding signal to assert GLB_ALRM. (Init Value is 1 to allow GLB_ALRM in startup sequence.)	1
		RW	5	Ready State Enable	1: Enable corresponding signal to assert GLB_ALRM. (Init Value is 1 to allow GLB_ALRM in startup sequence.)	1
		RW	4	TX-Turn-on State Enable	1: Enable corresponding signal to assert GLB_ALRM.	0
		RW	3	TX-Off State Enable	1: Enable corresponding signal to assert GLB_ALRM. (Init Value is 1 to allow GLB_ALRM in startup sequence.)	1
		RW	2	High-Power-up State Enable	1: Enable corresponding signal to assert GLB_ALRM.	0
		RW	1	Low-Power State Enable	1: Enable corresponding signal to assert GLB_ALRM. (Init Value is 1 to allow GLB_ALRM in startup sequence)	1
		RO	0	Initialize State Enable	1: Enable corresponding signal to assert GLB_ALRM.	0
B029 [2.0]	1			Module General Status Enable	1: Enable signal to assert GLB_ALRM. Bits 14~0 are AND'ed with corresponding bits in the Module General Status Latch register; the result is used to assert GLB_ALRM. Bit 15 is the master enable of GLB_ALRM and it is AND'ed with the output of the "OR" gate output in Global Alarm Signal Aggregation, Figure 10.	A7F8h
		RW	15	GLB_ALRM Master Enable	1: Enable.	1
		RO	14	Reserved		0

MSA-100GLH Module VR 1						
Hex Addr.	Size	Access Type	Bit	Register Name Bit Field Name	Description	Init Value
		RW	13	HW_Interlock	1: Enable. For non-pluggable modules (e.g. MSA-100GLH module), this bit is not read.	1
		RO	12~11	Reserved		0
		RW	10	Loss of REFCLK Input Enable	1: Enable.	1
		RW	9	TX_JITTER_PLL_LOL Enable	1: Enable.	1
		RW	8	TX_CMU_LOL Enable	1: Enable.	1
		RW	7	TX_LOSF Enable	1: Enable.	1
		RW	6	TX_HOST_LOL Enable	1: Enable.	1
		RW	5	RX_LOS Enable	1: Enable.	1
		RW	4	RX_NETWORK_LOL Enable	1: Enable.	1
		RW	3	Out of Alignment Enable	1: Enable.	1
		RW	2	Performance Monitor Interval Complete Enable	1: Enable.	1
		RO	1~0	Reserved		000b
B02A [2.0]	1			Module Fault Status Enable	These bits are AND'ed with corresponding bits in the Module Fault Latch register; the result is used to assert GLB_ALRM. Optional features that are not implemented shall have their Enable bit forced to '0'.	0062h
		RO	15~7	Reserved		0
		RW	6	PLD or Flash Initialization Fault Enable	1: Enable.	1
		RW	5	Power Supply Fault Enable	1: Enable.	1
		RO	4~2	Reserved		000b
		RW	1	CFP Checksum Fault Enable	1: Enable.	1
		RO	0	Reserved		0
B02B [2.0]	1			Module Alarm and Warning 1 Enable	These bits are AND'ed with corresponding bits in the Module Alarm and Warning 1 Latch register; the result is used to assert GLB_ALRM. Optional features that are not implemented shall have their Enable bit forced to '0'.	0FFFh
		RO	15~12	Reserved		0000b
		RW	11	Mod Temp Hi Alarm Enable	1: Enable.	1
			10	Mod Temp Hi Warn Enable	1: Enable.	1
			9	Mod Temp Low Warning Enable	1: Enable.	1
			8	Mod Temp Low Alarm Enable	1: Enable.	1
			7	Mod Vcc High Alarm Enable	1: Enable.	1
			6	Mod Vcc High Warning Enable	1: Enable.	1
			5	Mod Vcc Low Warning Enable	1: Enable.	1
			4	Mod Vcc Low Alarm Enable	1: Enable.	1
			3	Mod SOA Bias High Alarm Enable	1: Enable.	1
			2	Mod SOA Bias High Warning Enable	1: Enable.	1
			1	Mod SOA Bias Low Warning Enable	1: Enable.	1
			0	Mod SOA Bias Low Alarm Enable	1: Enable.	1
B02C [2.0]	1			Module Alarm and Warning 2 Enable	These bits are AND'ed with corresponding bits in the Module Alarm and Warning 2 Latch register; the result is used to assert GLB_ALRM. Optional features that	0FFFh

MSA-100GLH Module VR 1						
Hex Addr.	Size	Access Type	Bit	Register Name Bit Field Name	Description	Init Value
					are not implemented shall have their Enable bit forced to '0'.	
		RO	15~8	Reserved		00h
		RW	7	Mod Aux 1 High Alarm Enable	1: Enable.	1
			6	Mod Aux 1 High Warning Enable	1: Enable.	1
			5	Mod Aux 1 Low Warning Enable	1: Enable.	1
			4	Mod Aux 1 Low Alarm Enable	1: Enable.	1
			3	Mod Aux 2 High Alarm Enable	1: Enable.	1
			2	Mod Aux 2 High Warning Enable	1: Enable.	1
			1	Mod Aux 2 Low Warning Enable	1: Enable.	1
			0	Mod Aux 2 Low Alarm Enable	1: Enable.	1
B02D [2.0]	1		RW		Vendor Specific FAWS Enable	(Optional) Vendor Specified Module Fault, Alarm, Warning and Status Enable. Contents are specified by the vendor.
B02E	1	RO		Reserved		0000h
Module Analog A/D Value Registers 1						
B02F [2.0]	1	RO	15~0	Module Temp Monitor A/D Value	Internally measured temperature in degrees Celsius, a 16-bit signed integer with LSB = 1/256 of a degree Celsius, representing a total range from -128 to + 127 255/256 degC. MSA valid range is between -40 and +125C. Accuracy shall be better than +/- 3 degC over the whole temperature range.	0000h
B030 [2.0]	1	RO	15~0	Module Power Supply Monitor A/D Value	Internally measured transceiver supply voltage, a 16-bit unsigned integer with LSB = 1 mV, yielding a total measurement range of 0 to 65.535 V. Accuracy shall be better than +/- 3% of the nominal value over specified temperature and voltage ranges.	0000h
B031 [2.0]	1	RO	15~0	SOA Bias Current A/D Value	These threshold values are an unsigned 16-bit integer with LSB =2 uA by default, representing 131.07 mA. For the case of coherent module (8003h = 02, 10 or 11) LSB = 8uA, representing a range of current from 0 to 524.280 mA. MSB stored at low address, LSB stored at high address.	0000h
B032 [2.0]	1	RO	15~0	Module Auxiliary 1 Monitor A/D Value	Definition depending upon the designated use.	0000h
B033 [2.0]	1	RO	15~0	Module Auxiliary 2 Monitor A/D Value	Definition depending upon the designated use.	0000h
B034	4	RO		Reserved		0
Module PRBS Registers						
B038 [2.0]	1	RO		Network Lane PRBS Data Bit Count	Network lane data bit counter increments when network lane RX PRBS Checker is enabled. It stops counting when RX PRBS Checker is disabled. It uses an ad-hoc format floating point number with 6-bit unsigned exponent and 10-bit unsigned mantissa.	0000h
			15~10	Exponent	6-bit unsigned exponent.	0
			9~0	Mantissa	10-bit mantissa giving better than 0.1% accuracy in bit counts.	0
B039 [2.0]	1			Host Lane PRBS Data Bit Count	Host lane data bit counter increments when host side TX PRBS Checker is enabled. It stops counting when	0000h

MSA-100GLH Module VR 1						
Hex Addr.	Size	Access Type	Bit	Register Name Bit Field Name	Description	Init Value
					TX PRBS Checker is disabled. It uses an ad-hoc format floating point number with 6-bit unsigned exponent and 10-bit unsigned mantissa.	
		RO	15~10	Exponent	6-bit unsigned exponent	0
		RO	9~0	Mantissa	10-bit mantissa giving better than 0.1% accuracy in bit counts.	0
Module Analog A/D Value Registers 2						
B03A [2.0]	2	RW	15~0	Real-Time Second Clock	Represents number of seconds since Jan. 1, 1970. (MSB at 0xB03Ah, LSB at 0xB03Bh). Write to address B03Ah triggers reading both B03Ah and B03Bh registers	0000h
B03B	1	RO	15~0	Reserved		0
Host Configured Receive Optical Power Threshold Values						
B03C	1	RW	15~0	Host Configured Receive Optical Power High Alarm Threshold	Valid if the value is between "Host Configured Receive Optical Power High Alarm Permissible Minimum Threshold" (0x80C8-0x80C9) and "Host Configured Receive Optical Power High Alarm Permissible Maximum Threshold" (0x80D0-0x80D1)	0
B03D	1	RW	15~0	Host Configured Receive Optical Power High Warning Threshold	Valid if the value is between "Host Configured Optical Power High Warning Permissible Minimum Threshold" (0x80CA-0x80CB) and "Host Configured Optical Power High Warning Permissible Maximum Threshold" (0x80D2-0x80D3)	0
B03E	1	RW	15~0	Host Configured Receive Optical Power Low Warning Threshold	Valid if the value is between "Host Configured Optical Power Low Warning Permissible Minimum Threshold" (0x80CC-0x80CD) and "Host Configured Optical Power Low Warning Permissible Maximum Threshold" (0x80D4-0x80D5)	0
B03F	1	RW	15~0	Host Configured Receive Optical Power Low Alarm Threshold	Valid if the value is between "Host Configured Receive Optical Power Low Alarm Permissible Minimum Threshold" (0x80CE-0x80CF) and "Host Configured Receive Optical Power Low Alarm Permissible Maximum Threshold" (0x80D6-0x80D7)	0
Module Extended Functions Control Registers						
B040 [2.4]	1	RW		Host Lane Squelch Control (Optional)	Each bit of this register controls corresponding host lane output squelch respectively. Note that toggling any bit in this register does not change module state. 0: Not squelch, 1: Squelch.	0000h
		RW	15~0	Host Lane n Squelch Control	Bits 15~0 squelches host lane 15~0 respectively. 0: No squelch, 1: Squelch.	0000h
B041 [2.4]	1	RW		Network Lane TX Squelch Control (Optional)	This control acts upon individual host lanes. Note that toggling any bit in this register does not change module state.	0000h
		RW	15~0	Network Lane n TX Squelch (Optional)	Bits 15~0 squelches host lane 15~0 respectively. 0: No squelch, 1: Squelch.	0000h
B042	8	RO	15~0	Reserved		
B04A [2.0]	1			Upload Control		0000h
		RW/SC	15	Upload Start Request	Register bit to request initiation of upload. This bit is self-clearing.	0
		RW	14	Upload Block Processed	1: DONE. 0: NOT DONE.	0
		RW	13	Upload Abort	1: Abort the Upload.	0
	RW	12~11	Upload Block Error Code	0: No Error 1: CRC Image Error 2~7: Reserved.	0	

MSA-100GLH Module VR 1						
Hex Addr.	Size	Access Type	Bit	Register Name Bit Field Name	Description	Init Value
		RO	10~8	Reserved		0
		RW	7~0	Upload Type	Field to specify type of upload data. Values are vendor specific.	0
B04B [2.0]	1			Upload Data		
		RO	15	Upload Data Block Ready	Set the flag when module completes writing the block to the 0xBC00 address.	0
		RW	14~0	Maximum Upload Data Block Size	Host sets Upload Data Block Size.	1
B04C [2.0]	1			Module Upgrade Data		
		RW/SC	15	Upgrade Data Block Ready	Set the flag when host completes writing the block to the 0xBC00 address. When cleared by the Module, the Host can then write the next block.	0
		RO	14~0	Maximum Upgrade Data Block Size	Module sets Maximum Upgrade Data Block Size.	1
B04D [2.0]	1			Module Upgrade Control		
		RW	15~12	Upgrade Command	0: No operation 1: Download Start 2: Download Complete 3: Run Image A 4: Run Image B 5: Abort image download 6: Copy Image A to B 7: Copy Image B to A 8: Commit Image A 9: Commit Image B	
		RO	11~8	MDIO upgrade ready time	During the sw upgrade procedure, after the host issues run image command, the MDIO is not available. MDIO upgrade ready time gives a maximum time for the MDIO to be ready. Value X 5 seconds	0
		RO	7~0	Reserved		0
B04E	2	RO		Reserved		0
Module Extended Functions Status Registers						
B050 [2.0]	1	RO		Module Extended Functions Status		0000h
			15	Module Ready for MDIO Write	0: Not Ready, 1: Ready	0
			14	Command Error	0: No Error, 1: Error	0
			13	Reserved		0
			12	Auxiliary Interface Instance 1 Rx Data Available (optional)	0: No Data Available, 1: Data Available	0
			11	Auxiliary Interface Instance 2 Rx Data Available (optional)	0: No Data Available, 1: Data Available	0
			10	Auxiliary Interface Instance 1 Rx Data Overflow (optional)	0: No Data Overflow, 1: Data Overflow	0
			9	Auxiliary Interface Instance 2 Rx Data Overflow (optional)	0: No Data Overflow, 1: Data Overflow	0
			8	Upload Data Available	0: No Data Available, 1: Data Available	0
			7	Upload Data Complete	0: Not Done, 1: Done	0
			6~0	Reserved		0
B051 [2.0]	1	RO		Module Upgrade Status		
			15~14	Upgrade Command Status	00: Idle. 01: Command completed successfully. 10: Command in progress. 11: Command failed.	00
			13	Download Image Service Affecting Status	0: Upgrade to Currently Downloaded Image will Not be Service Affecting 1: Upgrade to Currently Downloaded Image will be Service	0

MSA-100GLH Module VR 1						
Hex Addr.	Size	Access Type	Bit	Register Name Bit Field Name	Description	Init Value
					Affecting	
			12	Image Running	0: Image A 1: Image B	0
			11~10	Image A Status	00: No Image 01: Valid Image Present 10: Image Present is Bad 11: Reserved	0
			9~8	Image B Status	00: No Image 01: Valid Image Present 10: Image Present is Bad 11: Reserved	0
			7	Image Committed	0: Image A 1: Image B	
			6~0	Upgrade Command Failure Reason	0: No Error 1: CRC Image Error 2: Length Image Error 3: Flash Write Error 4: Bad Image Error 5~127: Reserved	0
B052	2	RO		Reserved		0
Module Extended Functions Latch Registers						
B054 [2.0]	1	RO/LH/COR		Module Extended Functions Latch		0000h
			15	Module Ready for MDIO Write Latch	0: Not Latched, 1: Latched	0
			14	Command Error Latch	0: Not Latched, 1: Latched	0
			13	Reserved		0
			12	Auxiliary Interface Instance 1 Rx Data Available Latch (optional)	0: Not Latched, 1: Latched	0
			11	Auxiliary Interface Instance 2 Rx Data Available Latch (optional)	0: Not Latched, 1: Latched	0
			10	Auxiliary Interface Instance 1 Rx Data Overflow Latch (optional)	0: Not Latched, 1: Latched	0
			9	Auxiliary Interface Instance 2 Rx Data Overflow Latch (optional)	0: Not Latched, 1: Latched	0
			8	Upload Data Available Latch	0: Not Latched, 1: Latched	0
			7	Upload Data Complete Latch	0: Not Latched, 1: Latched	0
			6~0	Reserved		0
B055	2	RO		Reserved		0
Module Extended Functions Enable Registers						
B057 [2.0]	1	RW		Module Extended Functions Enable		0000h
			15	Module Ready for MDIO Write Enable	0: Disabled, 1: Enabled	0
			14	Command Error Enable	0: Disabled, 1: Enabled	0
			13	Reserved		0
			12	Auxiliary Interface Instance 1 Rx Data Available Enable (optional)	0: Disabled, 1: Enabled	0
			11	Auxiliary Interface Instance 2 Rx Data Available Enable (optional)	0: Disabled, 1: Enabled	0
			10	Auxiliary Interface Instance 1	0: Disabled, 1: Enabled	0

MSA-100GLH Module VR 1						
Hex Addr.	Size	Access Type	Bit	Register Name Bit Field Name	Description	Init Value
				Rx Data Overflow Enable (optional)		
			9	Auxiliary Interface Instance 2 Rx Data Overflow Enable (optional)	0: Disabled, 1: Enabled	0
			8	Upload Data Available Enable	0: Disabled, 1: Enabled	0
			7	Upload Data Complete Enable	0: Disabled, 1: Enabled	0
			6~0	Reserved		0
B058	2	RO		Reserved		0
Module Extended Functions Data Registers						
B05A [2.0]	1			Host-to-Module Auxiliary Interface Instance 1 (optional)		
		WO	15	Transaction Data Block Ready.	Serial data sent from host to module. Set the flag when host completes writing the block to the 0xBC00 address.	0
		WO	14	Transaction Last Block	1: Last Block in the current transaction. 0: More blocks in the current transaction.	0
		RO	13	Transaction Block Processed	1: DONE 0: NOT DONE.	0
		RO	12	Transaction Abort	1: Abort the transaction.	
		RO	11~10	Transaction Block Error Code	0: No Error 1: CRC Error 2~7: Reserved.	
		RO	9~0	Reserved		0
B05B [2.0]	1			Module-to-Host Auxiliary Interface Instance 1 (optional)		
		RO	15	Transaction Data Block Ready.	Serial data sent from module to host. Set the flag when module completes writing the block to the 0xBE00 address.	0
		RO	14	Transaction Last Block	1: Last Block in the current transaction. 0: More blocks in the current transaction.	0
		WO	13	Transaction Block Processed	1: DONE 0: NOT DONE.	0
		WO	12	Transaction Abort	1: Abort the transaction.	
		WO	11~10	Transaction Block Error Code	0: No Error 1: CRC Error 2~7: Reserved.	
		RO	9~0	Reserved		0
B05C [2.0]	1			Host-to-Module Auxiliary Interface Instance 2 (optional)		
		WO	15	Transaction Data Block Ready.	Serial data sent from host to module. Set the flag when host completes writing the block to the 0xBC00 address.	0
		WO	14	Transaction Last Block	1: Last Block in the current transaction. 0: More blocks in the current transaction.	0
		RO	13	Transaction Block Processed	1: DONE 0: NOT DONE.	0
		RO	12	Transaction Abort	1: Abort the transaction.	
		RO	11~10	Transaction Block Error Code	0: No Error 1: CRC Error 2~7: Reserved.	
		RO	9~0	Reserved		0
B05D [2.0]	1			Module-to-Host Auxiliary Interface Instance 2 (optional)		

MSA-100GLH Module VR 1						
Hex Addr.	Size	Access Type	Bit	Register Name Bit Field Name	Description	Init Value
		RO	15	Transaction Data Block Ready.	Serial data sent from module to host. Set the flag when module completes writing the block to the 0xBE00 address.	0
		RO	14	Transaction Last Block	1: Last Block in the current transaction. 0: More blocks in the current transaction.	0
		WO	13	Transaction Block Processed	1: DONE 0: NOT DONE.	0
		WO	12	Transaction Abort	1: Abort the transaction.	
		WO	11~10	Transaction Block Error Code	0: No Error 1: CRC Error 2~7: Reserved.	
		RO	9~0	Reserved		
B05E	34	RO		Reserved		0000h

1

2 6.4.1 MSA-100GLH Module Network Lane Specific Register Tables

3

Table 38 Network Lane VR 3 (Optional)

Network Lane VR 3						
Hex Addr	Size	Access Type	Bit	Register Name Bit Field Name	Description	Init Value
Network Lane n Vendor Specific FAWS Registers						
B100 [2.2]	16	RO		Network Lane n Vendor Specific FAWS	16 registers, one for each network lane, represent 16 network lanes. n = 0, 1, ..., N-1. N_max = 16. Actual N is module dependent.	0000h
		RO	15	Vendor Specific FAWS bit 15	0: Normal; 1: Asserted.	0
		RO	14~1	Vendor Specific FAWS bit 14~1	0: Normal; 1: Asserted.	0
		RO	0	Vendor Specific FAWS bit 0	0: Normal; 1: Asserted.	0
B110 [2.2]	16	RO		Network Lane n Vendor Specific FAWS Latch	16 registers, one for each network lane, represent 16 network lanes. n = 0, 1, ..., N-1. N_max = 16. Actual N is module dependent.	0000h
		RO	15	Vendor Specific FAWS Latch bit 15	0: Normal; 1: Asserted.	0
		RO	14~1	Vendor Specific FAWS Latch bit 14~1	0: Normal; 1: Asserted.	0
		RO	0	Vendor Specific FAWS Latch bit 0	0: Normal; 1: Asserted.	0
B120 [2.2]	16	RW		Network Lane n Vendor Specific FAWS Enable	16 registers, one for each network lane, represent 16 network lanes. n = 0, 1, ..., N-1. N_max = 16. Actual N is module dependent.	0000h
			15	Vendor Specific FAWS Enable bit 15	0: Disabled; 1: Enabled.	0
			14~1	Vendor Specific FAWS Enable bit 14~1	0: Disabled; 1: Enabled.	0
			0	Vendor Specific FAWS Enable bit 0	0: Disabled; 1: Enabled.	0
B130	16	RO	15~0	Reserved		0000h
B140 [2.2]	16	RO	15~0	Network Lane n Vendor Specific Auxiliary 1 Monitor A/D Value	Definition provided by vendor. FAWS mapped to Network Lane n Vendor Specific FAWS bit 15, related to 8090h.	0000h
B150 [2.2]	16	RO	15~0	Network Lane n Vendor Specific Auxiliary 2 Monitor A/D Value	Definition provided by vendor. FAWS mapped to Network Lane n Vendor Specific FAWS bit 14, related to 8098h.	0000h
B160 [2.2]	16	RO	15~0	Network Lane n Vendor Specific Auxiliary 3 Monitor A/D Value	Definition provided by vendor. FAWS mapped to Network Lane n Vendor	0000h

Network Lane VR 3						
Hex Addr	Size	Access Type	Bit	Register Name Bit Field Name	Description	Init Value
					Specific FAWS bit 13, related to 80A0.	
B170 [2.2]	16	RO	15~0	Network Lane n Vendor Specific Auxiliary 4 Monitor A/D Value	Definition provided by vendor. FAWS mapped to Network Lane n Vendor Specific FAWS bit 12, related to 80A8.	0000h

1

Table 39 MSA-100GLH Module Network Lane VR 1 Registers

Network Lane VR 1						
Hex Addr	Size	Access Type	Bit	Register Name Bit Field Name	Description	Init Value
Network Lane FAWS Registers						
B180 [2.0]	16	RO		Network Lane n Alarm and Warning 1	16 registers, one for each network lane, represent 16 network lanes. n = 0, 1, ..., N-1. N_max = 16. Actual N is module dependent.	0000h
			15	Bias High Alarm	0: Normal; 1: Asserted. (FAWS_TYPE_C)	0
			14	Bias High Warning	0: Normal; 1: Asserted. (FAWS_TYPE_C)	0
			13	Bias Low Warning	0: Normal; 1: Asserted. (FAWS_TYPE_C)	0
			12	Bias Low Alarm	0: Normal; 1: Asserted. (FAWS_TYPE_C)	0
			11	TX Power High Alarm	0: Normal; 1: Asserted. (FAWS_TYPE_C)	0
			10	TX Power High Warning	0: Normal; 1: Asserted. (FAWS_TYPE_C)	0
			9	TX Power Low Warning	0: Normal; 1: Asserted. (FAWS_TYPE_C)	0
			8	TX Power Low Alarm	0: Normal; 1: Asserted. (FAWS_TYPE_C)	0
			7	Laser Temperature High Alarm	0: Normal; 1: Asserted. (FAWS_TYPE_B)	0
			6	Laser Temperature High Warning	0: Normal; 1: Asserted. (FAWS_TYPE_B)	0
			5	Laser Temperature Low Warning	0: Normal; 1: Asserted. (FAWS_TYPE_B)	0
			4	Laser Temperature Low Alarm	0: Normal; 1: Asserted. (FAWS_TYPE_B)	0
			3	RX Power High Alarm	0: Normal; 1: Asserted. (FAWS_TYPE_B) The thresholds for the RX Power High/Low Alarm/Warning are determined by the RX Power Monitor Alarm/Warning Threshold Select in B015h. This comment applies to bits 2~0 as well.	0
2	RX Power High Warning	0: Normal; 1: Asserted. (FAWS_TYPE_B)	0			
1	RX Power Low Warning	0: Normal; 1: Asserted. (FAWS_TYPE_B)	0			
0	RX Power Low Alarm	0: Normal; 1: Asserted. (FAWS_TYPE_B)	0			
B190 [2.0]	16	RO		Network Lane n Alarm and Warning 2	16 registers, one for each network lane, represent 16 network lanes. n = 0, 1, ..., N-1. N_max = 16. Actual N is module dependent.	0000h
			15	Rx Laser Bias Current High Alarm	0: Normal, 1: Asserted (FAWS_TYPE_B)	0
			14	Rx Laser Bias Current High Warning	0: Normal, 1: Asserted (FAWS_TYPE_B)	0
			13	Rx Laser Bias Current Low Warning	0: Normal, 1: Asserted (FAWS_TYPE_B)	0
			12	Rx Laser Bias Current Low Alarm	0: Normal, 1: Asserted (FAWS_TYPE_B)	0
			11	Rx Laser Output High Alarm	0: Normal, 1: Asserted (FAWS_TYPE_B)	0
			10	Rx Laser Output High Warning	0: Normal, 1: Asserted (FAWS_TYPE_B)	0
			9	Rx Laser Output Low Warning	0: Normal, 1: Asserted (FAWS_TYPE_B)	0
			8	Rx Laser Output Low Alarm	0: Normal, 1: Asserted (FAWS_TYPE_B)	0
			7	Rx Laser Temp High Alarm	0: Normal, 1: Asserted (FAWS_TYPE_B)	0
			6	Rx Laser Temp High Warning	0: Normal, 1: Asserted (FAWS_TYPE_B)	0
			5	Rx Laser Temp Low Warning	0: Normal, 1: Asserted (FAWS_TYPE_B)	0
			4	Rx Laser Temp Low Alarm	0: Normal, 1: Asserted (FAWS_TYPE_B)	0
			3	Tx Modulator Bias High Alarm	0: Normal, 1: Asserted (FAWS_TYPE_B)	0
2	Tx Modulator Bias High Warning	0: Normal, 1: Asserted (FAWS_TYPE_B)	0			
1	Tx Modulator Bias Low Warning	0: Normal, 1: Asserted (FAWS_TYPE_B)	0			

Network Lane VR 1						
Hex Addr	Size	Access Type	Bit	Register Name Bit Field Name	Description	Init Value
			0	Tx Modulator Bias Low Alarm	0: Normal, 1: Asserted (FAWS_TYPE_B)	0
B1A0 [2.0]	16	RO		Network Lane n Fault and Status	16 registers, one for each network lane, represent 16 network lanes. n = 0, 1, ..., N-1. N_max = 16. Actual N is module dependent.	0000h
			15	Lane TEC Fault	0: Normal; 1: Asserted. (FAWS_TYPE_B)	0
			14	Lane Wavelength Unlocked Fault	0: Normal; 1: Asserted. (FAWS_TYPE_C)	0
			13	Lane APD Power Supply Fault	0: Normal; 1: Asserted. (FAWS_TYPE_B)	0
			12~8	Reserved		0
			7	Lane TX_LOSF	0: Normal; 1: Asserted. (PMD) (FAWS_TYPE_C)	0
			6	Lane TX_LOL	0: Normal; 1: Asserted. (Network) (FAWS_TYPE_B)	0
			5	Reserved		0
			4	Lane RX_LOS	0: Normal; 1: Asserted. (FAWS_TYPE_B)	0
			3	Lane RX_LOL	0: Normal; 1: Asserted. (FAWS_TYPE_B)	0
			2	Lane RX_FIFO error	0: Normal; 1: Error. (FAWS_TYPE_B)	0
			1	Lane RX_TEC Fault	0: Normal; 1: Asserted. (FAWS_TYPE_B)	0
			0	Reserved.		0
Network Lane FAWS Latch Registers						
B1B0 [2.0]	16	RO/LH/ COR		Network Lane n Alarm and Warning 1 Latch	16 registers, one for each network lane, represent 16 network lanes. n = 0, 1, ..., N-1. N_max = 16. Actual N is module dependent.	0000h
			15	Bias High Alarm Latch	1: Latched.	0
			14	Bias High Warning Latch	1: Latched.	0
			13	Bias Low Warning Latch	1: Latched.	0
			12	Bias Low Alarm Latch	1: Latched.	0
			11	TX Power High Alarm Latch	1: Latched.	0
			10	TX Power High Warning Latch	1: Latched.	0
			9	TX Power Low Warning Latch	1: Latched.	0
			8	TX Power Low Alarm Latch	1: Latched.	0
			7	Laser Temperature High Alarm Latch	1: Latched.	0
			6	Laser Temperature High Warning Latch	1: Latched.	0
			5	Laser Temperature Low Warning Latch	1: Latched.	0
			4	Laser Temperature Low Alarm Latch	1: Latched.	0
3	RX Power High Alarm Latch	1: Latched. The thresholds for the RX Power High/Low Alarm/Warning are determined by the RX Power Monitor Alarm/Warning Threshold Select in B015h. This comment applies to bits 2~0 as well.	0			
2	RX Power High Warning Latch	1: Latched.	0			
1	RX Power Low Warning Latch	1: Latched.	0			
0	RX Power Low Alarm Latch	1: Latched.	0			
B1C0 [2.0]	16	RO/LH/ COR		Network Lane n Alarm and Warning 2 Latch	16 registers, one for each network lane, represent 16 network lanes. n = 0, 1, ..., N-1. N_max = 16. Actual N is module dependent.	0000h
			15	Rx Laser Bias High Alarm Latch	1: Latched	0
			14	Rx Laser Bias High Warning Latch	1: Latched	0
			13	Rx Laser Bias Low Warning Latch	1: Latched	0
			12	Rx Laser Bias Low Alarm Latch	1: Latched	0
			11	Rx Laser Output High	1: Latched	0

Network Lane VR 1						
Hex Addr	Size	Access Type	Bit	Register Name Bit Field Name	Description	Init Value
				Alarm Latch		
			10	Rx Laser Output High Warning Latch	1: Latched	0
			9	Rx Laser Output Low Warning Latch	1: Latched	0
			8	Rx Laser Output Low Alarm Latch	1: Latched	0
			7	Rx Laser Temp High Alarm Latch	1: Latched	0
			6	Rx Laser Temp High Warning Latch	1: Latched	0
			5	Rx Laser Temp Low Warning Latch	1: Latched	0
			4	Rx Laser Temp Low Alarm Latch	1: Latched	0
			3	Tx Modulator Bias High Alarm Latch	1: Latched	0
			2	Tx Modulator Bias High Warning Latch	1: Latched	0
			1	Tx Modulator Bias Low Warning Latch	1: Latched	0
			0	Tx Modulator Bias Low Alarm Latch	1: Latched	0
B1D0 [2.0]	16			Network Lane n Fault and Status Latch	16 registers, one for each network lane, represent 16 network lanes. n = 0, 1, ..., N-1. N_max = 16. Actual N is module dependent.	0000h
		RO/LH/C OR	15	Lane TEC Fault Latch	1: Latched.	0
		RO/LH/C OR	14	Lane Wavelength Unlocked Fault Latch	1: Latched.	0
		RO/LH/C OR	13	Lane APD Power Supply Fault Latch	1: Latched.	0
		RO	12~8	Reserved		0
		RO/LH/C OR	7	Lane TX_LOSF Latch	1: Latched.	0
		RO/LH/C OR	6	Lane TX_LOL Latch	1: Latched.	0
		RO	5	Reserved		0
		RO/LH/C OR	4	Lane RX_LOS Latch	1: Latched.	0
		RO/LH/C OR	3	Lane RX_LOL Latch	1: Latched.	0
		RO/LH/C OR	2	Lane RX FIFO Status Latch	1: Latched.	0
		RO/LH/C OR	1	Lane RX TEC Fault Latch	1: Latched.	0
		RO	0	Reserved		0
Network Lane FAWS Enable Registers						
B1E0 [2.0]	16	RW		Network Lane n Alarm and Warning 1 Enable	16 registers, one for each network lane, represent 16 network lanes. n = 0, 1, ..., N-1. N_max = 16. Actual N is module dependent.	FFFF h
			15	Bias High Alarm Enable	0: Disable, 1: Enable.	1
			14	Bias High Warning Enable	0: Disable, 1: Enable.	1
			13	Bias Low Warning Enable	0: Disable, 1: Enable.	1
			12	Bias Low Alarm Enable	0: Disable, 1: Enable.	1
			11	TX Power High Alarm Enable	0: Disable, 1: Enable.	1
			10	TX Power High Warning Enable	0: Disable, 1: Enable.	1
			9	TX Power Low Warning Enable	0: Disable, 1: Enable.	1
			8	TX Power Low Alarm Enable	0: Disable, 1: Enable.	1
			7	Laser Temperature High Alarm Enable	0: Disable, 1: Enable.	1

Network Lane VR 1						
Hex Addr	Size	Access Type	Bit	Register Name Bit Field Name	Description	Init Value
			6	Laser Temperature High Warning Enable	0: Disable, 1: Enable.	1
			5	Laser Temperature Low Warning Enable	0: Disable, 1: Enable.	1
			4	Laser Temperature Low Alarm Enable	0: Disable, 1: Enable.	1
			3	RX Power High Alarm Enable	0: Disable, 1: Enable This comment applies to bits 2~0 as well.. The thresholds for the RX Power High/Low Alarm/Warning are determined by the RX Power Monitor Alarm/Warning Threshold Select in B015h.	1
			2	RX Power High Warning Enable	0: Disable, 1: Enable.	1
			1	RX Power Low Warning Enable	0: Disable, 1: Enable.	1
			0	RX Power Low Alarm Enable	0: Disable, 1: Enable.	1
B1F0 [2.0]	16	RW		Network Lane n Alarm and Warning 2 Enable	16 registers, one for each network lane, represent 16 network lanes. n = 0, 1, ..., N-1. N_max = 16. Actual N is module dependent.	FFFF h
			15	Rx Laser Bias Current High Alarm Enable	0: Disable, 1: Enable.	1
			14	Rx Laser Bias Current High Warning Enable	0: Disable, 1: Enable.	1
			13	Rx Laser Bias Current Low Warning Enable	0: Disable, 1: Enable.	1
			12	Rx Laser Bias Current Low Alarm Enable	0: Disable, 1: Enable.	1
			11	Rx Laser Output High Alarm Enable	0: Disable, 1: Enable.	1
			10	Rx Laser Output High Warning Enable	0: Disable, 1: Enable.	1
			9	Rx Laser Output Low Warning Enable	0: Disable, 1: Enable.	1
			8	Rx Laser Output Low Alarm Enable	0: Disable, 1: Enable.	1
			7	Rx Laser Temp High Alarm Enable	0: Disable, 1: Enable.	1
			6	Rx Laser Temp High Warning Enable	0: Disable, 1: Enable.	1
			5	Rx Laser Temp Low Warning Enable	0: Disable, 1: Enable.	1
			4	Rx Laser Temp Low Alarm Enable	0: Disable, 1: Enable.	1
			3	Tx Modulator Bias High Alarm Enable	0: Disable, 1: Enable.	1
			2	Tx Modulator Bias High Warning Enable	0: Disable, 1: Enable.	1
			1	Tx Modulator Bias Low Warning Enable	0: Disable, 1: Enable.	1
			0	Tx Modulator Bias Low Alarm Enable	0: Disable, 1: Enable.	1
B200 [2.0]	16			Network Lane n Fault and Status Enable	16 registers, one for each network lane, represent 16 network lanes. n = 0, 1, ..., N-1. N_max = 16. Actual N is module dependent.	E0D Ch
		RW	15	Lane TEC Fault Enable	0: Disable, 1: Enable.	1
		RW	14	Lane Wavelength Unlocked Fault Enable	0: Disable, 1: Enable.	1
		RW	13	Lane APD Power Supply Fault Enable	0: Disable, 1: Enable.	1
		RO	12~8	Reserved		0
		RW	7	Lane TX_LOSF Enable	0: Disable, 1: Enable.	1
		RW	6	Lane TX_LOL Enable	0: Disable, 1: Enable.	1

Network Lane VR 1						
Hex Addr	Size	Access Type	Bit	Register Name Bit Field Name	Description	Init Value
		RO	5	Reserved		0
		RW	4	Lane RX_LOS Enable	0: Disable, 1: Enable.	1
		RW	3	Lane RX_LOL Enable	0: Disable, 1: Enable.	1
		RW	2	Lane RX FIFO Status Enable	0: Disable, 1: Enable.	1
		RW	1	Lane RX TEC Fault Enable	0: Disable, 1: Enable.	1
		RO	0	Reserved		0
Network Lane TX Status Registers						
B210 [2.0]	16	RO		Network Lane TX Alignment Status		
			15	Loss of Alignment	Definition is Module Vendor Specified 0: Not Active, 1: Active	0
			14	Out of Alignment	Definition is Module Vendor Specified 0: Not Active, 1: Active	0
			13	CMU Lock Fault	Definition is Module Vendor Specified 0: Not Active, 1: Active	0
			12	Reference Clock Fault	Definition is Module Vendor Specified 0: Not Active, 1: Active	0
			11	Timing Fault	Definition is Module Vendor Specified 0: Not Active, 1: Active	0
			10~0	Reserved		0
B220 [2.0]	16	RO/LH/ COR		Network Lane TX Alignment Status Latch		
			15	Loss of Alignment Latch	0: Not Latched, 1: Latched	0
			14	Out of Alignment Latch	0: Not Latched, 1: Latched	0
			13	CMU Lock Fault Latch	0: Not Latched, 1: Latched	0
			12	Reference Clock Fault	0: Not Latched, 1: Latched	0
			11	Timing Fault	0: Not Latched, 1: Latched	0
			10~0	Reserved		0
B230 [2.0]	16	RW		Network Lane TX Alignment Status Enable		
			15	Loss of Alignment Enable	0: Disabled, 1: Enabled	0
			14	Out of Alignment Enable	0: Disabled, 1: Enabled	0
			13	CMU Lock Fault Enable	0: Disabled, 1: Enabled	0
			12	Reference Clock Fault	0: Disabled, 1: Enabled	0
			11	Timing Fault	0: Disabled, 1: Enabled	0
			10~0	Reserved		0
B240 [2.0]	16	RO		Network Lane TX Alignment Status PM Interval		
			15	Loss of Alignment occurred over PM interval	0: Did Not Occur, 1: Occurred	0
			14	Out of Alignment occurred over PM interval	0: Did Not Occur, 1: Occurred	0
			13	CMU Lock Fault occurred over PM interval	0: Did Not Occur, 1: Occurred	0
			12	Reference Clock Fault occurred over PM interval	0: Did Not Occur, 1: Occurred	0
			11	Timing Fault occurred over PM interval	0: Did Not Occur, 1: Occurred	0
			10~0	Reserved		0
Network Lane RX Status Registers						
B250 [2.0]	16	RO		Network Lane RX Alignment Status		
			15	Modem Sync Detect Fault (Optional)	Definition is Module Vendor Specified 0: Not Active, 1: Active	0
			14	Modem Lock Fault (Optional)	Definition is Module Vendor Specified 0: Not Active, 1: Active	0
			13	Loss of Alignment Fault	Definition is Module Vendor Specified	0

Network Lane VR 1						
Hex Addr	Size	Access Type	Bit	Register Name Bit Field Name	Description	Init Value
					0: Not Active, 1: Active	
			12	Out of Alignment Fault	Definition is Module Vendor Specified 0: Not Active, 1: Active	0
			11	Timing Fault	Definition is Module Vendor Specified 0: Not Active, 1: Active	0
			10~0	Reserved		0
B260 [2.0]	16	RO/LH/COR		Network Lane RX Alignment Status Latch		
			15	Modem Sync Detect Fault Latch (Optional)	0: Not Latched, 1: Latched	0
			14	Modem Lock Fault Latch (Optional)	0: Not Latched, 1: Latched	0
			13	Loss of Alignment Fault Latch	0: Not Latched, 1: Latched	0
			12	Out of Alignment Fault Latch	0: Not Latched, 1: Latched	0
			11	Timing Fault Latch	0: Not Latched, 1: Latched	0
			11~0	Reserved		0
B270 [2.0]	16	RW		Network Lane RX Alignment Status Enable		
			15	Modem Sync Detect Fault Enable (Optional)	0: Disabled, 1: Enabled	0
			14	Modem Lock Fault Enable (Optional)	0: Disabled, 1: Enabled	0
			13	Loss of Alignment Enable	0: Disabled, 1: Enabled	0
			12	Out of Alignment Enable	0: Disabled, 1: Enabled	0
			11	Timing Fault Enable	0: Disabled, 1: Enabled	0
			10~0	Reserved		0
B280 [2.0]	16	RO		Network Lane RX Alignment Status PM Interval		
			15	Modem Sync Detect Fault occurred over PM interval (Optional)	0: Did Not Occur, 1: Occurred	0
			14	Modem Lock Fault occurred over PM interval (Optional)	0: Did Not Occur, 1: Occurred	0
			13	Loss of Alignment occurred over PM interval	0: Did Not Occur, 1: Occurred	0
			12	Out of Alignment occurred over PM interval	0: Did Not Occur, 1: Occurred	0
			11	Deskew Lock Fault occurred over PM interval	0: Did Not Occur, 1: Occurred	0
			10	RX LOS occurred over PM interval	0: Did Not Occur, 1: Occurred	0
			9~0	Reserved		0
B290	112	RO		Reserved		0

1

Table 40 MSA-100GLH Module Network Lane VR 2 Registers

Network Lane VR 2						
Hex Addr	Size	Access Type	Bit	Register Name Bit Field Name	Description	Init Value
Network Lane Control 1 Registers						
B300 [2.0]	16			Network Lane n FEC Controls	16 registers, one for each network lane, represent 16 network lanes. n = 0, 1, ..., N-1. N_max = 16. Actual N is module dependent.	0000h
		RW	15~8	Phase Adjustment	This signed 8-bit value represents the phase set point of receive path quantization relative to 0.5 UI, given by: 0.5UI + (Phase Adjustment) / 256 UI. (Optional function) Set this value = -128 (80h) to de-activate this function.	00h

Network Lane VR 2						
Hex Addr	Size	Access Type	Bit	Register Name Bit Field Name	Description	Init Value
		RW	7~0	Amplitude Adjustment	This signed 8-bit value represents the amplitude threshold of relative amplitude of receive path quantization relative to 50% (Optional function), given by: $50\% + (\text{Amplitude Adjustment}) / 256 * 100\%$. (Optional function) Set this value = -128 (80h) to de-activate this function.	00h
B310 [2.0]	16	RO	15~0	Network Lane n PRBS Rx Error Count	16 registers, one for each network lane, represent 16 network lanes. n = 0, 1, ..., N-1. N_max = 16. Actual N is module dependent. This counter increases upon detection of each network lane RX checker error when RX PRBS Checker is enabled. It uses an ad-hoc floating point number format with a 6-bit unsigned exponent and a 10-bit unsigned mantissa. Base of exponent is 2 and Mantissa radix is 0.	0000h
			15~1 0	Exponent	6-bit unsigned exponent.	0
			9~0	Mantissa	10-bit mantissa giving better than 0.1% accuracy in bit counts.	0
Network Lane A/D Value Measurement Registers						
B320 [2.0]	16	RO	15~0	Network Lane n TX Laser Bias Current monitor A/D value	16 registers, one for each network lane, represent 16 network lanes. n = 0, 1, ..., N-1. N_max = 16. Actual N is module dependent. Measured laser bias current in uA, a 16-bit unsigned integer with LSB = 2 uA, representing a total measurement range of 0 to 131.072 mA. Minimum accuracy shall be +/- 10% of the nominal value over temperature and voltage. This register is for CFP MSA modules.	0000h
B330 [2.0]	16	RO	15~0	Network Lane n TX Laser Output Power monitor A/D value	16 registers, one for each network lane, represent 16 network lanes. n = 0, 1, ..., N-1. N_max = 16. Actual N is module dependent. Measured TX laser output power in dBm, a signed 16-bit integer with LSB = 0.01 dBm. Accuracy must be better than +/- 2 dB over temperature and voltage range. Relative accuracy must be better than 1 dB.	0000h
B340 [2.0]	16	RO	15~0	Network Lane n TX Laser Temp Monitor A/D value	16 registers, one for each network lane, represent 16 network lanes. n = 0, 1, ..., N-1. N_max = 16. Actual N is module dependent. Internally measured temperature in degrees Celsius, a 16-bit signed integer with LSB = 1/256 of a degree Celsius, representing a total range from -128 to +127 255/256 degC. MSA valid range is between -40 and +125C. Minimum accuracy is +/- 3 degC over temperature range.	0000h
B350 [2.0]	16	RO	15~0	Network Lane n RX Input Power monitor A/D value	16 registers, one for each network lane, represent 16 network lanes. n = 0, 1, ..., N-1. N_max = 16. Actual N is module dependent. Measured received input power in uW, a	0000h

Network Lane VR 2						
Hex Addr	Size	Access Type	Bit	Register Name Bit Field Name	Description	Init Value
					16-bit unsigned integer with LSB = 0.1 uW, representing a power range from 0 to 6.5535 mW (-40 to +8.2 dBm). Value can represent either average received power or OMA depending upon how bit 3 of Register 8080h is set. Accuracy must be better than +/- 2dB over temperature and voltage. This accuracy shall be maintained for input power levels up to the lesser of maximum transmitted or maximum received optical power per the appropriate standard. It shall be maintained down to the minimum transmitted power minus cable plant loss per the appropriate standard. Relative accuracy shall be better than 1 dB over the received power range, temperature range, voltage range, and the life of the product.	
B360 [2.0]	16	RO	15~0	Network Lane n TX Laser Bias Current monitor A/D value	16 registers, one for each network lane, represent 16 network lanes. n = 0, 1, ..., N-1. N_max = 16. Actual N is module dependent. TX laser bias current monitor in uA, an unsigned 16-bit integer with LSB = 100uA, representing a total measurement range of 0 to 6553.5 mA. Minimum accuracy is +/- 10% of the nominal value over temperature and voltage.	0000h
B370 [2.0]	16	RO	15~0	Network Lane n RX Laser Bias Current monitor A/D values.	16 registers, one for each network lane, represent 16 network lanes. n = 0, 1, ..., N-1. N_max = 16. Actual N is module dependent. Measured RX laser bias current in uA, an unsigned 16-bit integer with LSB = 100 uA, representing a total measurement range of 0 to 6553.5 mA. Minimum accuracy is +/- 10% of the nominal value over temperature and voltage.	0000h
B380 [2.0]	16	RO	15~0	Network Lane n RX Laser Temp Monitor A/D value.	16 registers, one for each network lane, represent 16 network lanes. n = 0, 1, ..., N-1. N_max = 16. Actual N is module dependent. Internally measured temperature in degrees Celsius, a signed 16-bit integer with LSB = 1/256 of a degree Celsius, representing a total range from -128 to +127 255/256 degC. MSA valid range is between -40 and +125C. Minimum accuracy is +/- 3 degC over t	0000h
B390 [2.0]	16	RO	15~0	Network Lane n RX Laser Output Power Monitor A/D value	16 registers, one for each network lane, represent 16 network lanes. n = 0, 1, ..., N-1. N_max = 16. Actual N is module dependent. Measured RX laser output power in dBm, a signed 16-bit integer with the LSB = 0.01 dBm	0000h
B3A0 [2.0]	16	RO	15~0	TX Modulator Bias X/I Monitor A/D value	16 registers, one for each network lane, represent 16 network lanes. n = 0, 1, ..., N-1. N_max = 16. Actual N is module dependent.	0
B3B0 [2.0]	16	RO	15~0	TX Modulator Bias X/Q Monitor A/D value	16 registers, one for each network lane, represent 16 network lanes. n = 0, 1, ..., N-1. N_max = 16. Actual N is module dependent.	0

Network Lane VR 2						
Hex Addr	Size	Access Type	Bit	Register Name Bit Field Name	Description	Init Value
B3C0 [2.0]	16	RO	15~0	TX Modulator Bias Y/I Monitor A/D value	TX Modulator Bias, a 16-bit unsigned integer with LSB = 2mV, yielding a total measurement range of 0 to 131.072 Volts. Accuracy shall be better than +/-3% of the nominal value over specified operating temperature and voltage range.	0
B3D0 [2.0]	16	RO	15~0	TX Modulator Bias Y/Q Monitor A/D value		0
B3E0 [2.0]	16	RO	15~0	TX Modulator Bias X_Phase Monitor A/D value		0
B3F0 [2.0]	16	RO	15~0	TX Modulator Bias Y_Phase Monitor A/D value		0
Network Lane Control 2 Registers						
B400 [2.0] [2.6]	16			TX Channel Control	Desired TX channel number and grid spacing. 16 registers, one for each network lane, represent 16 network lanes. n = 0, 1, ..., N-1. N_max = 16. Actual N is module dependent.	0001h
		RW	15~13	Grid Spacing	000b: 100 GHz grid spacing 001b: 50 GHz grid spacing 010b: 33 GHz grid spacing 011b: 25 GHz grid spacing 100b: 12.5 GHz grid spacing 101b: 6.25 GHz grid spacing 110b ~ 111b: Reserved	000b
			12~11	Reserved		0
		RW	10	Enabled Arbitrary Settable Tx Minimum Laser Frequency Registers	0: Disabled. 1: Enabled, With this bit set to Enabled the high resolution registers detailed in Section 12.6 of Addendum A shall be used.	0
		RW	9~0	Channel number	Tx channel number. Channel 0 is an undefined channel number.	001h
B410 [2.0] [2.6]	16	RW	15~0	TX Output Power	Desired TX output power. 16 registers, one for each network lane, represent 16 network lanes. n = 0, 1, ..., N-1. N_max = 16. Actual N is module dependent. A signed 16-bit integer with the LSB = 0.01dBm. Values at -99 dBm or less indicate the module shall shutter to its maximal capability. There are anticipated modules that will contain only a shutter function. For CFP2-ACO, refer to Addendum A for additional description.	0000h
B420 [2.0] [2.6]	16			RX Channel Control	Desired RX channel number and grid spacing. 16 registers, one for each network lane, represent 16 network lanes. n = 0, 1, ..., N-1. N_max = 16. Actual N is module dependent.	0001h
		RW	15~13	Grid Spacing	000b: 100 GHz grid spacing 001b: 50 GHz grid spacing 010b: 33 GHz grid spacing 011b: 25 GHz grid spacing 100b: 12.5 GHz grid spacing 101b: 6.25 GHz grid spacing 110b ~ 111b: Reserved	000b
		RO	12~11	Reserved		0
		RW	10	Enabled Arbitrary Settable Rx Minimum Laser Frequency Registers	0: Disabled. 1: Enabled, With this bit set to Enabled the high resolution registers detailed in Section 12.6 of Addendum A shall be used. For CFP2-ACO, refer to Addendum A for additional description.	0
		RW	9~0	Channel number	Rx channel number. Channel 0 is an	001h

Network Lane VR 2						
Hex Addr	Size	Access Type	Bit	Register Name Bit Field Name	Description	Init Value
					undefined channel number.	
B430 [2.0] [2.6]	16	RW	15~0	TX Fine Tune Frequency (Optional)	A signed 16-bit integer with LSB = 1 MHz. For CFP2-ACO, refer to Addendum A for additional description.	000h
B440 [2.0] [2.6]	16	RW	15~0	RX Fine Tune Frequency (Optional)	A signed 16-bit integer with LSB = 1 MHz. For CFP2-ACO, refer to Addendum A for additional description.	000h
B450 [2.0]	16	RO	15~0	TX Frequency 1	Current module TX Frequency 1. An unsigned 16-bit integer with LSB = 1 THz.	N/A
B460 [2.0]	16	RO	15~0	TX Frequency 2	Current module TX Frequency 2. An unsigned 16-bit integer with LSB = 0.05 GHz. Value should not exceed 19999.	N/A
B470 [2.0]	16	RO	15~0	RX Frequency 1	Current module RX Frequency 1. An unsigned 16-bit integer with LSB = 1 THz.	N/A
B480 [2.0]	16	RO	15~0	RX Frequency 2	Current module RX Frequency 2. An unsigned 16-bit integer with LSB = 0.05 GHz. Value should not exceed 19999.	N/A
High Resolution Tuning Registers						
B490 [2.6]	6	RW	15~0	TX/RX Minimum Laser High Resolution Frequency	Newly added ACO registers. Refer to section 12.6.1 of Addendum A for descriptions.	N/A
B497 [2.6]	6	RO	15~0	TX/RX Laser High Resolution Frequency	Newly added ACO registers. Refer to section 12.6.1 of Addendum A for descriptions.	N/A
B49C	4	RO		Reserved		0
Network Lane TX Performance Monitoring Statistics Registers						
B4A0 [2.0]	16	RO	15~0	Current Output Power	A signed 16-bit integer with the LSB = 0.01 dBm.	0000h
B4B0 [2.0]	16	RO	15~0	Average Output Power over PM interval	A signed 16-bit integer with the LSB = 0.01 dBm.	0000h
B4C0 [2.0]	16	RO	15~0	Minimum Output Power over PM interval	A signed 16-bit integer with the LSB = 0.01 dBm.	0000h
B4D0 [2.0]	16	RO	15~0	Maximum Output Power over PM interval	A signed 16-bit integer with the LSB = 0.01 dBm.	0000h
Network Lane RX Performance Monitoring Statistics Registers						
B4E0 [2.0]	16	RO	15~0	Current Input Power	A signed 16-bit integer with the LSB = 0.01 dBm.	0000h
B4F0 [2.0]	16	RO	15~0	Average Input Power over PM interval	A signed 16-bit integer with the LSB = 0.01 dBm.	0000h
B500 [2.0]	16	RO	15~0	Minimum Input Power over PM interval	A signed 16-bit integer with the LSB = 0.01 dBm.	0000h
B510 [2.0]	16	RO	15~0	Maximum Input Power over PM interval	A signed 16-bit integer with the LSB = 0.01 dBm.	0000h
B520	96	RO		Reserved		0
Network Lane OTN/FEC-related Registers (Optional)						
OTN FAWS Registers (Optional)						
B580 [2.0]	16	RO		Network Lane RX OTN Status	16 registers, one for each network lane, represent 16 network lanes. n = 0, 1, ..., N-1. N_max = 16. Actual N is module dependent.	
			15	OTN LOF	0: Not Active, 1: Active	0
			14	OTN OOF	0: Not Active, 1: Active	0
			13	OTN LOM	0: Not Active, 1: Active	0
			12	OTN OOM	0: Not Active, 1: Active	0
			11	OTN IAE	0: Not Active, 1: Active	0
			10	OTN SM BDI	0: Not Active, 1: Active	0

Network Lane VR 2						
Hex Addr	Size	Access Type	Bit	Register Name Bit Field Name	Description	Init Value
			9	OTN OTU-AIS	0: Not Active, 1: Active	0
			8	OTN ODU-AIS	0: Not Active, 1: Active	0
			7~0	Reserved		0
B590 [2.0]	16	RO/LH/ COR		Network Lane RX OTN Status Latch	16 registers, one for each network lane, represent 16 network lanes. n = 0, 1, ..., N-1. N_max = 16. Actual N is module dependent.	
			15	OTN LOF Latch	0: Not Latched, 1: Latched	0
			14	OTN OOF Latch	0: Not Latched, 1: Latched	0
			13	OTN LOM Latch	0: Not Latched, 1: Latched	0
			12	OTN OOM Latch	0: Not Latched, 1: Latched	0
			11	OTN IAE Latch	0: Not Latched, 1: Latched	0
			10	OTN SM BDI Latch	0: Not Latched, 1: Latched	0
			9	OTN OTU-AIS Latch	0: Not Latched, 1: Latched	0
			8	OTN ODU-AIS Latch	0: Not Latched, 1: Latched	0
	7~0	Reserved		0		
B5A0 [2.0]	16	RW		Network Lane RX OTN Status Enable	16 registers, one for each network lane, represent 16 network lanes. n = 0, 1, ..., N-1. N_max = 16. Actual N is module dependent.	
			15	OTN LOF Enable	0: Disabled, 1: Enabled	0
			14	OTN OOF Enable	0: Disabled, 1: Enabled	0
			13	OTN LOM Enable	0: Disabled, 1: Enabled	0
			12	OTN OOM Enable	0: Disabled, 1: Enabled	0
			11	OTN IAE Enable	0: Disabled, 1: Enabled	0
			10	OTN SM BDI Enable	0: Disabled, 1: Enabled	0
			9	OTN OTU-AIS Enable	0: Disabled, 1: Enabled	0
			8	OTN ODU-AIS Enable	0: Disabled, 1: Enabled	0
	7~0	Reserved		0		
B5B0 [2.0]	16	RO		Network Lane RX OTN Status PM Interval	16 registers, one for each network lane, represent 16 network lanes. n = 0, 1, ..., N-1. N_max = 16. Actual N is module dependent.	
			15	OTN LOF occurred over PM interval	0: Did Not Occur, 1: Occurred	0
			14	OTN OOF occurred over PM interval	0: Did Not Occur, 1: Occurred	0
			13	OTN LOM occurred over PM interval	0: Did Not Occur, 1: Occurred	0
			12	OTN OOM occurred over PM interval	0: Did Not Occur, 1: Occurred	0
			11	OTN IAE occurred over PM interval	0: Did Not Occur, 1: Occurred	0
			10	OTN SM BDI occurred over PM interval	0: Did Not Occur, 1: Occurred	0
			9	OTN OTU-AIS occurred over PM interval	0: Did Not Occur, 1: Occurred	0
			8	OTN ODU-AIS occurred over PM interval	0: Did Not Occur, 1: Occurred	0
	7~0	Reserved		0		
OTN/FEC Network TX Performance Monitoring Registers (Optional)						
B5C0 [2.0]	1	RO/MW	15~0	FEC Corrected Bits count over PM interval, most significant word	Bits 47~32 of 48 bit counter	0
B5C1 [2.0]	1	RO/MW	15~0	FEC Corrected Bits count over PM interval, middle word	Bits 31~16 of 48 bit counter	0
B5C2 [2.0]	1	RO/MW	15~0	FEC Corrected Bits count over PM interval, least significant word	Bits 15~0 of 48 bit counter	0
B5C3 [2.0]	1	RO/MW	15~0	FEC Uncorrectable Codeword count over PM interval, most significant word	Bits 31~16 of 32 bit counter	0

Network Lane VR 2						
Hex Addr	Size	Access Type	Bit	Register Name Bit Field Name	Description	Init Value
B5C4 [2.0]	1	RO/MW	15~0	FEC Uncorrectable Codeword count over PM interval, least significant word	Bits 15~0 of 32 bit counter	0
B5C5 [2.0]	1	RO/MW	15~0	OTN SM BIP-8 error count over PM interval, most significant word	Bits 31~16 of 32 bit counter	0
B5C6 [2.0]	1	RO/MW	15~0	OTN SM BIP-8 error count over PM interval, least significant word	Bits 15~0 of 32 bit counter	0
B5C7 [2.0]	1	RO/MW	15~0	OTN SM BEI count over PM interval, most significant word	Bits 31~16 of 32 bit counter	0
B5C8 [2.0]	1	RO/MW	15~0	OTN SM BEI count over PM interval, least significant word	Bits 15~0 of 32 bit counter	0
B5C9	55	RO		Reserved		0

1

2 6.4.2 MSA-100GLH Module Host Lane Specific Register Tables

3

Table 41 MSA-100GLH Module Host Lane VR 1 Registers

MSA-100GLH Host Lane VR 1						
Hex Addr	Size	Access Type	Bit	Register Name Bit Field Name	Description	Init Value
Host Lane FAWS Status Registers						
B600 [2.0]	16			Host Lane m Fault and Status	16 registers, one for each host lane, represent 16 host lanes. m = 0, 1, ..., M-1. M_max = 16. Actual M is module dependent.	0000h
		RO	15~2	Reserved		0
		RO	1	Lane TX FIFO Error	Lane specific TX FIFO error. (FAWS_TYPE_B) 0: Normal, 1: Error.	0
		RO	0	TX_HOST_LOL	TX IC Lock Indicator, (FAWS_TYPE_B) 0: Locked, 1: Loss of lock.	0
Host Lane FAWS Latch Registers						
B610 [2.0]	16			Host Lane m Fault and Status Latch	16 registers, one for each host lane, represent 16 host lanes. m = 0, 1, ..., M-1. M_max = 16. Actual M is module dependent.	0000h
		RO	15~2	Reserved		0
		RO/LH /COR	1	Lane TX FIFO Error Latch	1: Latched.	0
		RO/LH /COR	0	TX_HOST_LOL Latch	1: Latched.	0
Host Lane FAWS Enable Registers						
B620 [2.0]	16			Host Lane m Fault and Status Enable	16 registers, one for each host lane, represent 16 host lanes. m = 0, 1, ..., M-1. M_max = 16. Actual M is module dependent.	0001h
		RO	15~2	Reserved		0
		RW	1	Lane TX FIFO Error Enable	1: Enable.	0
		RW	0	TX_HOST_LOL Enable	1: Enable.	1
Host Lane Digital PRBS Registers						
B630 [2.0]	16	RO		Host Lane m PRBS TX Error Count	16 registers, one for each host lane, represent 16 host lanes. m = 0, 1, ..., M-1. M_max = 16. Actual M is module dependent. This counter increases upon detection of each RX checker error when host lane TX PRBS checker is enabled. It stops counting when the TX PRBS checker is disabled. It uses an ad-hoc floating point number format with a 6-bit unsigned exponent and a 10-bit	0000h

MSA-100GLH Host Lane VR 1								
Hex Addr	Size	Access Type	Bit	Register Name Bit Field Name	Description	Init Value		
					unsigned mantissa.			
			15~10	Exponent	6-bit unsigned exponent.	0		
			9~0	Mantissa	10-bit mantissa giving better than 0.1% accuracy in bit counts.	0		
Host Lane Control Registers								
B640 [2.4]	16			Host Lane m Control	16 registers, one for each host lane, represent 16 host lanes. m = 0, 1, ..., M-1. M_max = 16. Actual M is module dependent. In order to start a module with proper CTLE operation the following table is recommended. 8200h for CAUI4 with Manual operation or 0000h for CAUI4 0007h for CAUI10.	See left col. *		
					8198h.7~6	Description	CAUI4	CAUI10
					00b	No eq. supported	0000h	0007h
					01b	Manual (program) only	8200h	8207h
					10b	Automatic (adaptive) only	RO	RO/07h
					11b	Both	RO	RO/07h
		RW	15	Signal equalization mode control	0: Automatic (aka Adaptive) or no equalization at all, 1: Manual (aka Programmable).		0	
		RO	14~13	Reserved			0	
		RW	12~8	Signal Equalization Gain	A total 5-bit unsigned field is defined to support Signal Equalization Gain. Of the 5 bits, bits 12~9 map to the 4-bit code defined by IEEE802.3bm representing the CTLE equalization gain at 14 GHz relative to 0.1 GHz. Out of 16 available codes, 1, 2, 3, ..., 9 match CTLE code 1 through 9 dB settings. To be compatible with IEEE802.3bm, the following codes are reserved: 1111b, 1110b, 1101b, 1100b, 1011b, 1010b. 0000b indicates no eq is supported which is non-IEEE802.3bm specified. Code 0000b is also used to indicate a non-readable CTLE gain if vendor's IC does not report one. For some device backward compatibility bit 8 is allocated to represent a 0.5 dB increment to CTLE setting.	00000b or 00010b		
		RO	7~4	Reserved		0000b		
		RW	3~0	Signal Pre/De-emphasis	4-bit unsigned number N represents the pre/de-emphasis applied. Pre/De-emphasis = N * 0.5 dB, N = 0, ..., 15. The power on initial value is 3.5 dB with a value of 0111b in this field for CAUI-10, 0 dB or 0000b for CAUI4.	0000b or 0111b		
Host Lane TX Status Registers								
B650 [2.0]	16	RO		Host Lane TX Alignment Status				
			15	CDR Lock Fault	Definition is Module Vendor Specified 0: Not Active, 1: Active	0		
			14	Loss of Alignment	Definition is Module Vendor Specified 0: Not Active, 1: Active	0		
			13	Out of Alignment	Definition is Module Vendor Specified	0		

MSA-100GLH Host Lane VR 1						
Hex Addr	Size	Access Type	Bit	Register Name Bit Field Name	Description	Init Value
					0: Not Active, 1: Active	
			12	Deskew Lock Fault	Definition is Module Vendor Specified	0
			11~0	Reserved	0: Not Active, 1: Active	0
B660 [2.0]	16	RO/L H/ COR		Host Lane TX Alignment Status Latch		
			15	CDR Lock Fault Latch	0: Not Latched, 1: Latched	0
			14	Loss of Alignment Latch	0: Not Latched, 1: Latched	0
			13	Out of Alignment Latch	0: Not Latched, 1: Latched	0
			12	Deskew Lock Fault Latch	0: Not Latched, 1: Latched	0
			11~0	Reserved		0
B670 [2.0]	16	RW		Host Lane TX Alignment Status Enable		
			15	CDR Lock Fault Enable	0: Disabled, 1: Enabled	0
			14	Loss of Alignment Enable	0: Disabled, 1: Enabled	0
			13	Out of Alignment Enable	0: Disabled, 1: Enabled	0
			12	Deskew Lock Fault Enable	0: Disabled, 1: Enabled	0
			11~0	Reserved		0
B680 [2.0]	16	RO		Host Lane TX Alignment Status PM Interval		
			15	CDR Lock Fault occurred over PM interval	0: Did Not Occur, 1: Occurred	0
			14	Loss of Alignment occurred over PM interval	0: Did Not Occur, 1: Occurred	0
			13	Out of Alignment occurred over PM interval	0: Did Not Occur, 1: Occurred	0
			12	Deskew Lock Fault occurred over PM interval	0: Did Not Occur, 1: Occurred	0
			11~0	Reserved		0
Host Lane RX Status Registers						
B690 [2.0]	16	RO		Host Lane RX Alignment Status		
			15	Loss of Alignment	Definition is Module Vendor Specified	0
			14	Out of Alignment	Definition is Module Vendor Specified	0
			13	CMU Lock Fault	Definition is Module Vendor Specified	0
			12~0	Reserved	0: Not Active, 1: Active	0
B6A0 [2.0]	16	RO/L H/ COR		Host Lane RX Alignment Status Latch		
			15	Loss of Alignment Latch	0: Not Latched, 1: Latched	0
			14	Out of Alignment Latch	0: Not Latched, 1: Latched	0
			13	CMU Lock Fault Latch	0: Not Latched, 1: Latched	0
			12~0	Reserved		0
B6B0 [2.0]	16	RW		Host Lane RX Alignment Status Enable		
			15	Loss of Alignment Enable	0: Disabled, 1: Enabled	0
			14	Out of Alignment Enable	0: Disabled, 1: Enabled	0
			13	CMU Lock Fault Enable	0: Disabled, 1: Enabled	0
			12~0	Reserved		0
B6C0 [2.0]	16	RO		Host Lane RX Alignment Status PM Interval		
			15	Loss of Alignment occurred over PM interval	0: Did Not Occur, 1: Occurred	0
			14	Out of Alignment occurred over PM interval	0: Did Not Occur, 1: Occurred	0

MSA-100GLH Host Lane VR 1						
Hex Addr	Size	Access Type	Bit	Register Name Bit Field Name	Description	Init Value
			13	CMU Lock Fault occurred over PM interval	0: Did Not Occur, 1: Occurred	0
			12~0	Reserved		0
B6D0	48	RO		Reserved		0
Host Lane OTN/FEC-related Registers (Optional)						
Host Lane OTN FAWS Registers (Optional)						
B700 [2.0]	16	RO		Host Lane TX OTN Status		
			15	OTN LOF	0: Not Active, 1: Active	0
			14	OTN OOF	0: Not Active, 1: Active	0
			13	OTN LOM	0: Not Active, 1: Active	0
			12	OTN OOM	0: Not Active, 1: Active	0
			11	OTN IAE	0: Not Active, 1: Active	0
			10	OTN SM BDI	0: Not Active, 1: Active	0
			9	OTN OTU-AIS	0: Not Active, 1: Active	0
			8	OTN ODU-AIS	0: Not Active, 1: Active	0
	7~0	Reserved		0		
B710 [2.0]	16	RO/ H/ COR		Host Lane TX OTN Status Latch		
			15	OTN LOF Latch	0: Not Latched, 1: Latched	0
			14	OTN OOF Latch	0: Not Latched, 1: Latched	0
			13	OTN LOM Latch	0: Not Latched, 1: Latched	0
			12	OTN OOM Latch	0: Not Latched, 1: Latched	0
			11	OTN IAE Latch	0: Not Latched, 1: Latched	0
			10	OTN SM BDI Latch	0: Not Latched, 1: Latched	0
			9	OTN OTU-AIS Latch	0: Not Latched, 1: Latched	0
			8	OTN ODU-AIS Latch	0: Not Latched, 1: Latched	0
	7~0	Reserved		0		
B720 [2.0]	16	RW		Host Lane TX OTN Status Enable		
			15	OTN LOF Enable	0: Disabled, 1: Enabled	0
			14	OTN OOF Enable	0: Disabled, 1: Enabled	0
			13	OTN LOM Enable	0: Disabled, 1: Enabled	0
			12	OTN OOM Enable	0: Disabled, 1: Enabled	0
			11	OTN IAE Enable	0: Disabled, 1: Enabled	0
			10	OTN SM BDI Enable	0: Disabled, 1: Enabled	0
			9	OTN OTU-AIS Enable	0: Disabled, 1: Enabled	0
			8	OTN ODU-AIS Enable	0: Disabled, 1: Enabled	0
	7~0	Reserved		0		
B730 [2.0]	16	RO		Host Lane TX OTN Status PM Interval		
			15	OTN LOF occurred over PM interval	0: Did Not Occur, 1: Occurred	0
			14	OTN OOF occurred over PM interval	0: Did Not Occur, 1: Occurred	0
			13	OTN LOM occurred over PM interval	0: Did Not Occur, 1: Occurred	0
			12	OTN OOM occurred over PM interval	0: Did Not Occur, 1: Occurred	0
			11	OTN IAE occurred over PM interval	0: Did Not Occur, 1: Occurred	0
			10	OTN SM BDI occurred over PM interval	0: Did Not Occur, 1: Occurred	0
			9	OTN OTU-AIS occurred over PM interval	0: Did Not Occur, 1: Occurred	0
8	OTN ODU-AIS occurred over PM interval	0: Did Not Occur, 1: Occurred	0			

MSA-100GLH Host Lane VR 1						
Hex Addr	Size	Access Type	Bit	Register Name Bit Field Name	Description	Init Value
			7~0	Reserved		0
Host Lane OTN/FEC RX Performance Monitoring Registers (Optional)						
B740 [2.0]	1	RO/M W	15~0	OTN SM BIP-8 error count over PM interval, most significant word (Optional)	Bits 31~16 of 32 bit counter	0
B741 [2.0]	1	RO/M W	15~0	OTN SM BIP-8 error count over PM interval, least significant word (Optional)	Bits 15~0 of 32 bit counter	0
B742 [2.0]	1	RO/M W	15~0	OTN SM BEI count over PM interval, most significant word (Optional)	Bits 31~16 of 32 bit counter	0
B743 [2.0]	1	RO/M W	15~0	OTN SM BEI count over PM interval, least significant word (Optional)	Bits 15~0 of 32 bit counter	0
B744	60	RO		Reserved		0

1 **6.4.3 MSA-100GLH Network Lane VR2 Registers (Optional)**

2 100G LH DWDM Transmission modulation format dependent performance monitoring
3 statistics registers are specified in *Table 42 MSA-100GLH Network Lane VR 2 Registers*.
4 These registers are optional and their specification is informative.

5 *Table 42 MSA-100GLH Network Lane VR 2 Registers*

MSA-100GLH Network Lane VR 2						
Hex Addr	Size	Access Type	Bit	Register Name Bit Field Name	Description	Init Value
Network RX Performance Monitoring Statistics Registers (Optional)						
B800 [2.0]	1	RO/MW	15~0	Current Chromatic Dispersion, most significant word (Optional)	Units are in ps/nm, bits 31~16 of 32 bit counter	0
B810 [2.0]	1	RO/MW	15~0	Current Chromatic Dispersion, least significant word (Optional)	Units are in ps/nm, bits 15~0 of 32 bit counter	0
B820 [2.0]	1	RO/MW	15~0	Average Chromatic Dispersion over PM interval, most significant word (Optional)	Units are in ps/nm, bits 31~16 of 32 bit counter	0
B830 [2.0]	1	RO/MW	15~0	Average Chromatic Dispersion over PM interval, least significant word (Optional)	Units are in ps/nm, bits 15~0 of 32 bit counter	0
B840 [2.0]	1	RO/MW	15~0	Minimum Chromatic Dispersion over PM interval, most significant word (Optional)	Units are in ps/nm, bits 31~16 of 32 bit counter	0
B850 [2.0]	1	RO/MW	15~0	Minimum Chromatic Dispersion over PM interval, least significant word (Optional)	Units are in ps/nm, bits 15~0 of 32 bit counter	0
B860 [2.0]	1	RO/MW	15~0	Maximum Chromatic Dispersion over PM interval, most significant word (Optional)	Units are in ps/nm, bits 31~16 of 32 bit counter	0
B870 [2.0]	1	RO/MW	15~0	Maximum Chromatic Dispersion over PM interval, least significant word (Optional)	Units are in ps/nm, bits 15~0 of 32 bit counter	0
B880 [2.0]	1	RO	15~0	Current Differential Group Delay (DGD) (Optional)	Units are in ps	0
B890 [2.0]	1	RO	15~0	Average Differential Group Delay over PM interval (Optional)	Units are in ps	0
B8A0 [2.0]	1	RO	15~0	Minimum Differential Group Delay over PM interval (Optional)	Units are in ps	0
B8B0	1	RO	15~0	Maximum Differential Group Delay	Units are in ps	0

MSA-100GLH Network Lane VR 2						
Hex Addr	Size	Access Type	Bit	Register Name Bit Field Name	Description	Init Value
[2.0]				over PM interval (Optional)		
B8C0 [2.0]	1	RO	15~0	Current SOPMD (Optional)	Definition TBD.	0
B8D0 [2.0]	1	RO	15~0	Average SOPMD over PM interval (Optional)	Definition TBD.	0
B8E0 [2.0]	1	RO	15~0	Minimum SOPMD over PM interval (Optional)	Definition TBD.	0
B8F0 [2.0]	1	RO	15~0	Maximum SOPMD over PM interval (Optional)	Definition TBD.	0
B900 [2.0]	1	RO	15~0	Current State of Polarization (Optional)	Units are in rad/s	0
B910 [2.0]	1	RO	15~0	Average State of Polarization over PM interval (Optional)	Units are in rad/s	0
B920 [2.0]	1	RO	15~0	Minimum State of Polarization over PM interval (Optional)	Units are in rad/s	0
B930 [2.0]	1	RO	15~0	Maximum State of Polarization over PM interval (Optional)	Units are in rad/s	0
B940 [2.0]	1	RO	15~0	Current Polarization Dependent Loss (Optional)	Units are in 0.1dB for the LSB	0
B950 [2.0]	1	RO	15~0	Average Polarization Dependent Loss over PM interval (Optional)	Units are in 0.1dB for the LSB	0
B960 [2.0]	1	RO	15~0	Minimum Polarization Dependent Loss over PM interval (Optional)	Units are in 0.1dB for the LSB	0
B970 [2.0]	1	RO	15~0	Maximum Polarization Dependent Loss over PM interval (Optional)	Units are in 0.1dB for the LSB	0
B980 [2.0]	1	RO	15~0	Current Q (Optional)	Units are in 0.1dB for the LSB	0
B990 [2.0]	1	RO	15~0	Average Q over PM interval (Optional)	Units are in 0.1dB for the LSB	0
B9A0 [2.0]	1	RO	15~0	Minimum Q over PM interval (Optional)	Units are in 0.1dB for the LSB	0
B9B0 [2.0]	1	RO	15~0	Maximum Q over PM interval (Optional)	Units are in 0.1dB for the LSB	0
B9C0 [2.0]	1	RO	15~0	Current Carrier Frequency Offset (Optional)	Units are in MHz	0
B9D0 [2.0]	1	RO	15~0	Average Carrier Frequency Offset over PM interval (Optional)	Units are in MHz	0
B9E0 [2.0]	1	RO	15~0	Minimum Carrier Frequency Offset over PM interval (Optional)	Units are in MHz	0
B9F0 [2.0]	1	RO	15~0	Maximum Carrier Frequency Offset over PM interval (Optional)	Units are in MHz	0
BA00 [2.0]	1	RO	15~0	Current SNR (Optional)	Units are in 0.1dB for the LSB	0
BA10 [2.0]	1	RO	15~0	Average SNR over PM interval (Optional)	Units are in 0.1dB for the LSB	0
BA20 [2.0]	1	RO	15~0	Minimum SNR over PM interval (Optional)	Units are in 0.1dB for the LSB	0
BA30 [2.0]	1	RO	15~0	Maximum SNR over PM interval (Optional)	Units are in 0.1dB for the LSB	0
BA40	192	RO		Reserved		0

1 6.5 CFP2-ACO Registers

- 2 CFP MSA MIS V2.6 allocates a set of new registers to support CFP2-ACO application.
- 3 This section summarizes the B000h page register allocations for these new registers.
- 4 Vendors and Users shall reference Section 12 in Addendum A for detailed description.

1

Table 43 CFP2-ACO New Registers

CFP2-ACO New Registers [2.6]						
Hex Addr	Size	Access Type	Bit	Register Name Bit Field Name	Description	Init Value
Module Characteristic Data Registers						
BAE0	8			TX De-Skew and Equalization Registers	Reference Section 12.7 in Addendum A for details.	N/A
BAE8	8			RX De-Skew and Equalization Registers		N/A
BAF0	16			S Parameter Data Registers		N/A
TX Subsystem General Registers						
BB00	11			TX Subsystem General Registers	Reference Section 12.2 in Addendum A for details.	N/A
BB0C	5	RO		OIF Reserved		N/A
BB10	28			TX Subsystem Output-Referred Optical Power Monitoring Registers		
BB2C	7			TX Subsystem Power Control Registers		N/A
BB33	27			PMQ Operation Control Registers		N/A
BB4E	6	RO		OIF Reserved		N/A
BB54	33			Linear/Limiting TX Driver Control Registers		N/A
BB75	17			Linear Driver Monitoring Registers		N/A
BB86	4	RO		OIF Reserved		0
RX Subsystem Control Registers						
BB8A	6			RX Subsystem General Registers	Reference Section 12.3 in Addendum A for details.	N/A
BB90	3	RO		OIF Reserved		0
BB93	18			RX Optical Power VOA Registers		N/A
BBA5	33			ICR Monitoring Registers		N/A
BBC6	2	RO		OIF Reserved		0
BBC8	8			ICR RF Output Control Registers		N/A
BBD0	4			Supplemental laser Control Registers		N/A
BBD4	32			ICR RF Signal Monitoring Registers		N/A
BBF4	4			RX Provisioned Channel Power Monitoring (Colorless Line Systems) Registers		N/A
BBF8	8			RX Total Optical Power Monitoring		Reference Section 12.3 in Addendum A for details. Section 13.3 in Addendum A provides existing MIS RX input Power Monitoring Registers. Registers are B4E0h, B4F0h, B500h, and B510h.
BC00				Reserved to the end of B000h page		0

2 **6.5.1 Bulk Data Transfer Segment Registers**

3 Registers 0xBC00h to 0xBFFFh are allocated for bulk data transfer use.

4

Table 44 Bulk Data Transfer VR 2 Registers

MSA-100GLH Bulk Data Transfer VR 2						
Hex Addr	Size	Access Type	Bit	Register Name Bit Field Name	Description	Init Value
Bulk Data Transfer Registers						
BC00 [2.0]	512	WO	15~0	Host-To-Module Bulk Data Transfer block	Variable size bulk data transfer block for transactions from Host to Module.	0
BE00 [2.0]	512	RO	15~0	Module-To-Host Bulk Data Transfer block	Variable size bulk data transfer block for transactions from Module to Host.	0

5

6

END OF DOCUMENT (V2.6r06a)

1 **7 ADDENDUM A OIF CFP2 ACO MODULE IMPLEMENTATION AGREEMENT**

2 The most recent revision of the OIF-CFP2-ACO Implementation Agreement is normative,
3 and can be obtained from the following location,

4 <http://www.oiforum.com/documents/implementation-agreements/>

5 The IA issue in effect at the publication date of CFP-MSA MIS V2.6 can be accessed
6 directly at,

7 <http://www.oiforum.com/wp-content/uploads/OIF-CFP2-ACO-01.0.pdf>