

Features

- Supports 8.0Gb/s to 11.1Gb/s bit rates
- Hot-pluggable XFP footprint, Built-in digital diagnos
- Maximum link length of 20km with SMF
- 1310nm DFB laser and PIN photodiode
- XFP MSA package with duplex LC connector
- No reference clock required
- Single +3.3V power supply
- Power dissipation <1.5W
- Compatible with RoHS
- Commercial Temperature range: 0 to +70°C



Applications

- SONET OC-192&SDH STM-64 at 9.953Gbps
- 10GBASE-LR/LW 10G Ethernet
- 1200-SM-LL-L 10G Fibre Channel
- 10GE over G.709 at 11.09Gbps
- OC192 over FEC at 10.709Gbps
- Other optical links, up to 11.1Gbps

1. Absolute Maximum Ratings

Any stress beyond the maximum ratings can result in permanent damage. The device specifications are guaranteed only under the recommended operating conditions.

Parameter	Symbol	Min	Max	Unit
Supply Voltage	Vcc	-0.5	4.5	V
Storage Temperature	Ts	-40	+85	°C
Operating Humidity	-	5	85	%

2. Recommended Operating Conditions

Parameter	Symbol	Min	Typical	Max	Unit
Operating Case Temperature (Commercial)	Tc	0		+70	°C
Power Supply Voltage @3.3V	Vcc	3.135	3.30	3.465	V
Power Supply Current	Icc			500	mA
Data Rate		8.0		11.1	Gbps

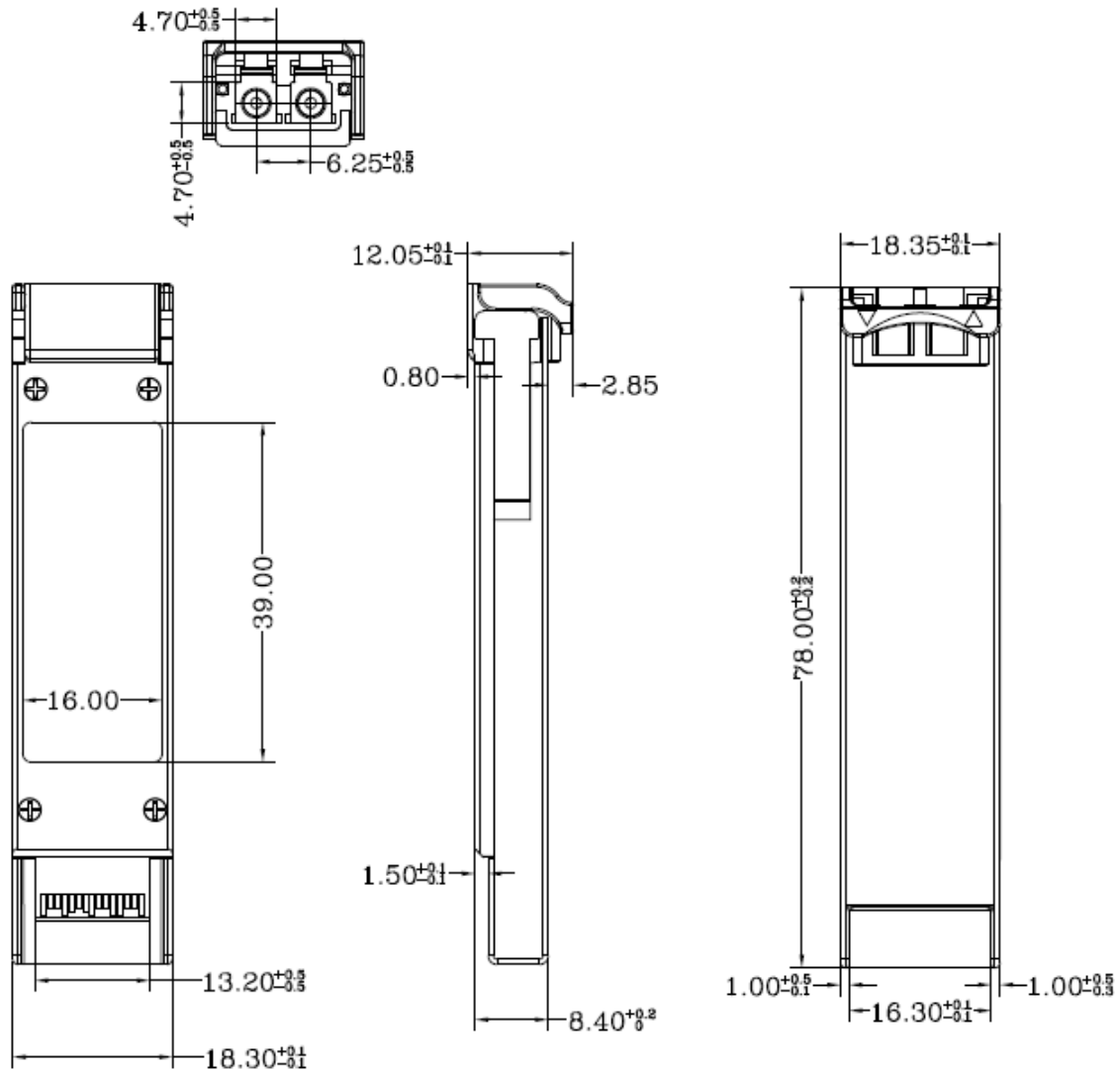
3. Optical and Electrical Characteristics

Parameter	Symbol	Min	Typ	Max	Unit	Notes
Transmitter						
Centre Wavelength	λ_c	127-	1330	1350	nm	
Spectral Width (-20dB)	$\Delta\lambda$			1	nm	
Side-Mode Suppression Ratio	SMSR	30			dB	
Average Output Power	Pout	-3		+2	dBm	1
Extinction Ratio	ER	6.0			dB	3
Data Input Swing Differential	VIN	180		950	mV	2
Input Differential Impedance	ZIN	90	100	110	Ω	
TX Disable	Disable		2.0	Vcc	V	
	Enable		0	0.8	V	
Receiver						
Centre Wavelength	λ_c	1260		1600	nm	
Receiver Sensitivity				-15	dBm	3
Receiver Overload		0.5			dBm	3
LOS De-Assert	LOSD			-16	dBm	
LOS Assert	LOSA	-26			dBm	
LOS Hysteresis		0.5		4	dB	
Data Output Swing Differential	Vout	400	600	800	mV	2
LOS	High	2.0		Vcc	V	
	Low			0.8	V	

Notes:

1. The optical power is launched into SMF.
2. Internally AC-coupled.
3. Measured with a PRBS 2³¹-1 test pattern @9953Mbps, BER $\leq 1 \times 10^{-12}$.

4. Mechanical Diagram



Note: External physical characteristics are subject to variation. This may include, but is not limited to, external case designs, pull tab colors and/or shapes, removal latch styles or colors, and label sizes and placement. These variations do not affect the function or characteristics of the transceivers.

5. Ordering Information

OEM	Part Number	OEM	Part Number
3Com	3CXFP92-A	Extreme	10GEXFP-LR-EXN
Adtran	1442910G1C-A	Extreme	10122-A
Adtran	1442921F1-A	F5 Networks	F5UPGXFPLROPR-A
Adtran	1442911F1-A	Finisar	FTRX1411M3-A
Adtran	1442910G1-A	Finisar	FTLX1411D3-A
ADVA	0061701811-03-A	Finisar	FTLX1411M3-A
Alcatel	109537902-A	Finisar	FTLX1413D3BCL-A
Alcatel	10G-XFP-LR-ALCATEL-A-A	Fortinet	FG-TRAN-XFPLR-A
Alcatel	3FE50712BA-A	Fujitsu	FC9573E410-A
Alcatel	3HE00564AA-A	Fujitsu	FC95731410-A
Alcatel	3HE00564CA-A	Fujitsu	FC9573E410-I04-A
Alcatel	3HE05831CA-A	Fujitsu	FIM31121-A
Alcatel-Lucent	XFP-10G-LR-ALCATEL-A	Fujitsu	FC9685TC13-A
Alcatel-Lucent	3HE00564CA-C1	HP	JD108B-A
Allied Telesis	AT-XPLR-A	Huawei	XFP-STM64-LX-SM1310-A
Aruba	XFP-LR-A	IBM	45W2811-A
Brocade	10G-XFP-LR-A	Infinera	TOM-10G-SR1-A
Brocade	10G-XFP-LR-4-A	Infinera	TRX100044-A
Brocade-Foundry	OC192-XFP-SR1-A	Intel	TXN181072013X5C-A
BTI	BP3AM4MS-A	JDSU	JXP-01LEAB1-A
Calix	100-01509-A	JDSU	JXP-01LGAB1-A
Calix	100-01508-A	JDSU	JXP-01LMAB1-A
Calix	10GEXFP-LR-CLX	JDSU	JXP-01LMAC1-A
Ciena	XCVR-A10V31-A	Juniper	10GXFP10-J
Ciena	NTTP84BA-A	Juniper	EX-XFP-10GE-LR-C1
Ciena	NTTP84BA-C1	Juniper	EX-XFP-10GE-LR-A
Ciena	XCVR-A10V31-C1	Juniper	SRX-XFP-10GE-LR-A
Ciena	10GEXFP-LR-CIE	Juniper	XFP-10GE-LR-A
Cisco	ONS-XC-10G-S1-A	Juniper	XFP-10G-L-OC192-SR1-A
Cisco	XFP-10GLR-192SR-L-A	Marconi	SU69CA-A
Cisco	XFP10GLR-192SR-L-A	MRV	XFP-10GD-LR-A
Cisco	XFP-10GLR-OC192SR-A	MRV	XFP-10GED-LR-A
Cisco	XFP10GLR192SR-RGD-A	MRV	XFP-10GED-LRTH-A
Cisco	XFP-10GLR-OC192SR-C1	MSA	AN-XFP-LR-OC192
Cisco	10GEXFP-LR-CSC	MSA	AN-XFP-LR-OC192-I
Cisco	ONS-XC-10G-S1-C1	MSA Champion One	10GXFP10-H

Citrix	EW3D0000714-A	MSA Champion ONE	10GXFP10
Citrix	EW3E0000714-A	Netgear	AXM752-A
Citrix	EW3F0000714-A	Nortel	AA1403001-E5-A
Citrix	EW3P0000561-A	Nortel	NTTP80BA-A
Citrix	EW3X0000714-A	Occam	105164-A
Citrix	EW3Z0000589-A	OnePort	OP-XFP-LR-OC192
Cyan	280-0014-00-A	Optelian	1003-4753-A
D-Link	DEM-422XT-A	Palo Alto	PAN-XFP-LR-A
Dell	409-10007-A	Tellabs	81.XO192SR1131S-A
Delta	TSP-10G3B1QER-A	Transition Networks	TN-XFP-LR1-A
Edgecore	ET5302-LR-A	Zhone	MXK-10GE-XFP-LR-A
Enterasys	10GBASE-LR-XFP-A	ZTE	XFP-10GE-S10K-A

6. Contact Information

Tel: 800.590.9535

Web: <http://www.approvednetworks.com>